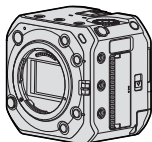


Panasonic®



Owner's Manual <Quick Start Guide>

Manuel d'utilisation <Guide de prise en main rapide>

Instrucciones de funcionamiento <Guía de inicio rápido>

Instruções de operação <Guia de introdução rápida>

Digital Camera / Appareil photo numérique / Cámara digital / Câmera digital

Model No. / Modèle / Modelo N. / Modelo n°

DC-BS1H

More detailed operating instructions are available in "Owner's Manual <Complete Guide>" (HTML format / PDF format).

Un manuel d'utilisation plus détaillé est disponible en « Manuel d'utilisation <Guide complet> » (Format HTML / format PDF).

En "Instrucciones de funcionamiento <Guía completa>" (Formato HTML / formato PDF) están disponibles instrucciones de funcionamiento más detalladas.

Instruções mais detalhadas podem ser encontradas em "Instruções de operação <Guia Completo>" (Formato HTML / Formato PDF).

<https://panasonic.jp/support/dsc/oi/BS1H/index.html>

• As "Instruções de operação <Guia Completo>" (Formato HTML / Formato PDF) não se encontram disponíveis em português.



U.S. customers only

Register online at

<http://shop.panasonic.com/support/register>

to receive these benefits:

Safety Notification / Owner Verification / Efficient Warranty Service /
Special Offers and Promotions from Panasonic



If you have any questions, visit:

USA : <http://shop.panasonic.com/support>

Canada : www.panasonic.ca/english/support

Pour toute assistance supplémentaire, visiter :

www.panasonic.ca/french/support

PP

DVQX2212ZA

M1021KZ0

Please read these instructions carefully before using this product, and save this manual for future use.

Dear Customer,

Thank you for choosing Panasonic!

You have purchased one of the most sophisticated and reliable products on the market today. Used properly, we're sure it will bring you and your family years of enjoyment. Please take time to fill in the information below. The serial number is on the tag located on the underside of your camera. Be sure to **retain this manual** as your convenient camera information source.

Date of Purchase	Dealer Phone No.
Dealer Purchased From	Model No.
Dealer Address	Serial No.

Please note that the actual controls and components, menu items, etc. of your Digital Camera may look somewhat different from those shown in the illustrations in this Owner's Manual.

Carefully observe copyright laws.

Recording of pre-recorded tapes or discs or other published or broadcast material for purposes other than your own private use may infringe copyright laws. Even for the purpose of private use, recording of certain material may be restricted.

Before Use

- **No Compensation Regarding Recording**

Please note that compensation cannot be provided in the event that recording could not be performed due to a problem with the camera or a card.

- **Be Careful with Regard to Copyrights**

Under copyright law, you may not use the images and audio you have recorded for other than personal enjoyment without the permission of the copyright holder.

Be careful because there are cases where restrictions apply to recording even for the purpose of personal enjoyment.

- **Also Refer to the Cautions for Use in the "Owner's Manual <Complete Guide>"**

About This Camera

This unit does not have a monitor.

To check the menu settings or recording screen, connect an external monitor or use a PC software "LUMIX Tether" below.

- For details on the connection cables, please check the interface of the "Specifications". (→ 19)



Remote Control Software/App

<https://panasonic.jp/support/global/cs/dsc/> (English only)



LUMIX Tether

This is a PC software that allows you to record and make settings while controlling the camera and checking the live view. (You can record photos (still images) using this software.)

LUMIX Sync

This is a smartphone app that allows you to perform remote recordings as well as check/save images that are saved in the camera with a smartphone.



Contents

Before Use.....	2
Information for Your Safety	4
Cautions for Use.....	8
Standard Accessories.....	11
Names of Parts	13
Getting Started.....	16
Power supply.....	16
Connecting the external monitor.....	16
Menu Operation Methods	17
Troubleshooting	17
Specifications	18
Trademarks and Licenses.....	22
Limited Warranty (ONLY FOR U.S.A.).....	24
Limited Warranty (ONLY FOR CANADA).....	27
Useful Information (Only For Latin American Countries).....	29

Information for Your Safety

WARNING:

To reduce the risk of fire, electric shock or product damage,

- Do not expose this unit to rain, moisture, dripping or splashing.
- Use the recommended accessories.
- Do not remove covers.
- Do not repair this unit by yourself. Refer servicing to qualified service personnel.

The socket outlet shall be installed near the equipment and shall be easily accessible.

■ Product identification marking

Product	Location
Digital Camera	Rear (Battery installing place)
AC adaptor	Bottom

THE FOLLOWING APPLIES ONLY IN THE U.S.A.**FCC Note:**

This equipment has been tested and found to comply with the limits for a Class B digital device, pursuant to Part 15 of the FCC Rules.

These limits are designed to provide reasonable protection against harmful interference in a residential installation. This equipment generates, uses, and can radiate radio frequency energy and, if not installed and used in accordance with the instructions, may cause harmful interference to radio communications. However, there is no guarantee that interference will not occur in a particular installation. If this equipment does cause harmful interference to radio or television reception, which can be determined by turning the equipment off and on, the user is encouraged to try to correct the interference by one or more of the following measures:

- Reorient or relocate the receiving antenna.
- Increase the separation between the equipment and receiver.
- Connect the equipment into an outlet on a circuit different from that to which the receiver is connected.
- Consult the dealer or an experienced radio/TV technician for help.

FCC Caution:

- Any unauthorized changes or modifications to this equipment would void the user's authority to operate this device.
- To assure continued compliance, follow the attached installation instructions and use only shielded interface cables with ferrite core when connecting to computer or peripheral devices.

This device complies with Part 15 of the FCC Rules. Operation is subject to the following two conditions: (1) This device may not cause harmful interference, and (2) this device must accept any interference received, including interference that may cause undesired operation.

Supplier's Declaration of Conformity

Trade name: Panasonic

Model No.: DC-BS1H

Responsible Party: Panasonic Corporation of North America
Two Riverfront Plaza, Newark, NJ 07102-5490

Support Contact: <http://shop.panasonic.com/support>

THE FOLLOWING APPLIES ONLY IN THE U.S.A.

Contains FCC ID: VPYLB1JS955

This transmitter must not be co-located or operated in conjunction with any other antenna or transmitter.

This equipment complies with FCC radiation exposure limits set forth for an uncontrolled environment and meets the FCC radio frequency (RF) Exposure Guidelines as this equipment has very low levels of RF energy.

THE FOLLOWING APPLIES ONLY IN CANADA.

CAN ICES-003(B) / NMB-003(B)

Contains IC: 772C-LB1JS955

This device contains licence-exempt transmitter(s)/receiver(s) that comply with Innovation, Science and Economic Development Canada's licence-exempt RSS(s). Operation is subject to the following two conditions:

- (1) This device may not cause interference.
- (2) This device must accept any interference, including interference that may cause undesired operation of the device.

The available scientific evidence does not show that any health problems are associated with using low power wireless devices. There is no proof, however, that these low power wireless devices are absolutely safe. Low power Wireless devices emit low levels of radio frequency energy (RF) in the microwave range while being used. Whereas high levels of RF can produce health effects (by heating tissue), exposure of low-level RF that does not produce heating effects causes no known adverse health effects. Many studies of low-level RF exposures have not found any biological effects. Some studies have suggested that some biological effects might occur, but such findings have not been confirmed by additional research. DC-BS1H (HMN is 1JS2101) has been tested and found to comply with ISED radiation exposure limits set forth for an uncontrolled environment and meets RSS-102 of the ISED radio frequency (RF) Exposure rules.

■ About the battery pack

- Always use genuine Panasonic batteries (AG-VBR59P, AG-VBR89G, AG-VBR118G).
- If you use other batteries, we cannot guarantee the quality of this product.

CAUTION

Battery pack (Lithium ion battery pack)

- Use the specified unit to recharge the battery pack.
- Do not use the battery pack with equipment other than the specified unit.
- Do not get dirt, sand, liquids, or other foreign matter on the terminals.
- Do not touch the plug terminals (+ and -) with metal objects.
- Do not disassemble, remodel, heat or throw into fire.

If any electrolyte should come into contact with your hands or clothes, wash it off thoroughly with water.

If any electrolyte should come into contact with your eyes, never rub the eyes.

Rinse eyes thoroughly with water, and then consult a doctor.

CAUTION

- Danger of explosion if battery is incorrectly replaced. Replace only with the type recommended by the manufacturer.
- When disposing of the batteries, please contact your local authorities or dealer and ask for the correct method of disposal.

- Do not heat or expose to flame.
- Do not leave the battery(ies) in a car exposed to direct sunlight for a long period of time with doors and windows closed.
- Do not expose to low air pressure at high altitudes.
- Do not expose to extremely low air pressure, as this may result in explosions or leakage of flammable liquids and gases.

Warning

Risk of fire, explosion and burns. Do not disassemble, heat above 60 °C (140 °F) or incinerate.

■ About the AC adaptor (supplied)

CAUTION!

To reduce the risk of fire, electric shock or product damage,

- Do not install or place this unit in a bookcase, built-in cabinet or in another confined space. Ensure this unit is well ventilated.

AC adaptor

This AC adaptor operates on AC between 100 V and 240 V.

But

- In the U.S.A. and Canada, the AC adaptor must be connected to a 120 V AC power supply only.
- When connecting to an AC supply outside of the U.S.A. or Canada, use a plug adaptor to suit the AC outlet configuration.
- When connecting to a supply of greater than AC 125 V, ensure the cord you use is suited to the voltage of the AC supply and the rated current of the AC adaptor.
- Contact an electrical parts distributor for assistance in selecting a suitable AC plug adaptor or AC cord set.

Cautions for Use

- Do not use any other AC cables except the supplied one.
- Use a Premium High Speed HDMI cable (Type A-Type A plug).
- For the USB connection cable, use one that is a shielded product with a ferrite core compliant to USB Type C (USB3.1) that is less than 1.5 m (4.9 feet).
- It is recommended to use a double shielded BNC cable equivalent to 5C-FB.
- For the cable that connects to the LAN terminal, use the one below.
LAN cable (STP (Shielded Twisted Pair), category 5e or above, maximum 100 m (328 feet))
- Do not use the Headphone cables with the length of 3 m (9.8 feet) or more.
- Do not use the Stereo microphone cables with the length of 3 m (9.8 feet) or more.
- Use a PoE+ (IEEE 802.3at compliant) compatible switching hub or power supplying device.*1
 - *1 Make sure it complies with the safety standards IEC 60950-1 or IEC 62368-1.
If you are uncertain on whether or not it complies with the safety standards, please contact the manufacturer of the switching hub or power supplying device.

Keep this unit as far away as possible from electromagnetic equipment (such as microwave ovens, TVs, video games etc.).

- If you use this unit on top of or near a TV, the pictures and/or sound on this unit may be disrupted by electromagnetic wave radiation.
- Do not use this unit near cell phones because doing so may result in noise adversely affecting the pictures and/or sound.
- Recorded data may be damaged, or pictures may be distorted, by strong magnetic fields created by speakers or large motors.
- Electromagnetic wave radiation may adversely affect this unit, disturbing the pictures and/or sound.
- If this unit is adversely affected by electromagnetic equipment and stops functioning properly, turn this unit off and remove the battery or disconnect AC adaptor. Then reinsert the battery or reconnect AC adaptor and turn this unit on.

Do not use this unit near radio transmitters or high-voltage lines.

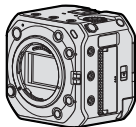
- If you record near radio transmitters or high-voltage lines, the recorded pictures and/or sound may be adversely affected.
-

- **To clean your camera, remove the battery or a card, or disconnect the power plug from the outlet, and wipe with a soft, dry cloth.**
 - **Do not press the lens with excessive force.**
 - **Do not allow camera to come into contact with pesticides or volatile substances (can cause surface damage or coating to peel).**
 - **Do not keep rubber or plastic products in contact with the camera for a long period of time.**
 - **Do not use solvents such as benzine, thinner, alcohol, kitchen detergents, etc., to clean the camera, since it may deteriorate the external case or the coating may peel off.**
 - **Do not leave the camera with the lens facing the sun, as rays of light from the sun may cause it to malfunction.**
 - **Always use the supplied cords and cables.**
 - **Do not extend the supplied cord or cable.**
 - The data on the card may be damaged or lost due to electromagnetic waves, static electricity or breakdown of the camera or the card. We recommend storing important data on a PC etc.
 - **Do not leave any metal items (such as clips) near the contact areas of the power plug or near the batteries.**
 - **Do not keep objects that may be influenced magnetically close to this unit.**
-

Standard Accessories

Digital camera body

(Digital camera body is referred to as **camera** in this document.)



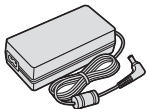
ENGLISH

Check that all the accessories are supplied before using the camera.
(Product numbers correct as of October 2021.)



AC adaptor

- This is used for power supply.
SAE0011A



AC cable

K2CA2CA00025



Cable lock band

1AC1MC551Z



Body cap*1

1HE1MC891Z



Hot shoe cover*1

DVYE1121Z



BNC terminal cover*1

DVKJ1044Z/K

HDMI terminal cover*1

DVKJ1045Z/K

AUDIO terminal cover*1

DVKJ1046Z/K

DC IN terminal cover*1

DVKJ1047Y/K

REMOTE terminal cover*1

DVKJ1048Z/K

*1 This is attached to the camera at the time of purchase but it's removable.

- **The battery pack is optional.**

The battery that can be used with the camera is AG-VBR59P/AG-VBR89G/AG-VBR118G. (As of October 2021)

- **The memory card is optional.**

Keep the memory card out of reach of children to prevent swallowing.

- **The interchangeable lens is optional.**

- **Refer to catalogues/websites for the information regarding supported lenses/accessories.**

<https://panasonic.jp/support/global/cs/dsc/connect/index.html>

(English only)

- Attaching commercially available accessories that do not comply with the L-Mount standard may lead to operation failure or malfunction of the camera. (If a failure or malfunction occurs due to this cause, the warranty will be void.)

- Please dispose of all packaging appropriately.
- Keep small parts in a safe place out of the reach of children.

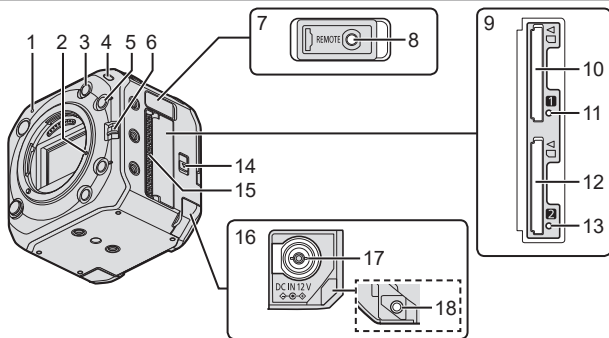
(For U.S.A. only)

- If accessories are lost, customers can visit us at <http://shop.panasonic.com/support> for further information about obtaining replacement parts.
- To order optional accessories please visit <http://shop.panasonic.com> or your local Photo Specialty Dealer.

(For Canada only)

- If any accessories are lost, customers in Canada should visit our support page at www.panasonic.ca/english/support for further information about obtaining replacement parts.

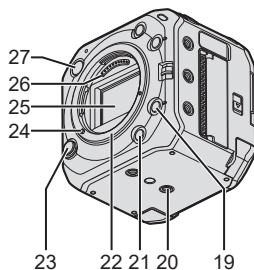
Names of Parts



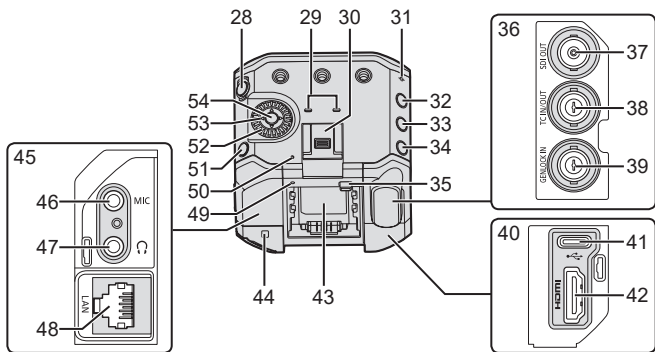
ENGLISH





1	Status indicator
2	Screw hole for function expansion
3	Fn button (Fn2)
4	Front tally lamp
5	Fn button (Fn3)
6	Operation lock switch
7	REMOTE terminal cover • Keep the REMOTE terminal cover out of reach of children to prevent swallowing.
8	[REMOTE] terminal
9	Card door
10	Card slot 1
11	Card access light 1
12	Card slot 2
13	Card access light 2
14	Card door release lever

15	Fan outlet (the left side is the inlet) • The fan outlet for the cooling fan. Do not block this while the unit is being used.
16	DC IN terminal cover • Keep the DC IN terminal cover out of reach of children to prevent swallowing.
17	[DC IN 12 V] terminal
18	Cable lock band attachment part



19	Fn button (Fn4)	21	Fn button (Fn5)
20	Tripod mount	22	Mount
	<ul style="list-style-type: none"> • There are a total of 11 places for the tripod mount wherein there are 3 on the top, the right and the left and 2 on the bottom. • The size of the mounting screw is 1/4-20 UNC (Screw length is 5.5 mm (0.22 inch) or less) • If you attempt to attach a screw longer than 5.5 mm (0.22 inch), you may not be able to securely fix it in place or it may damage the camera. 	23	Lens release button
24	Lens lock pin	25	Sensor
26	Contact points	27	[⏻/⏻] Camera ON/OFF button



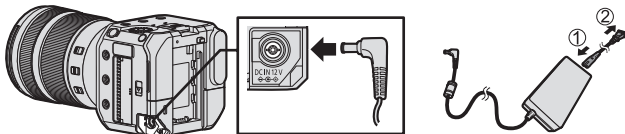
28	Video rec. button		
29	Stereo microphone		
	• Do not block the microphone with a finger. Audio will be difficult to record.		
30	Hot shoe (hot shoe cover)		
	• Keep the hot shoe cover out of reach of children to prevent swallowing.		
31	[] (Recording distance reference mark)		
32	Fn button (Fn1)		
33	[Q.MENU] button		
34	[] (Playback) button		
35	Battery release button		
36	BNC terminal cover		
37	[SDI OUT] terminal		
38	[TC IN/OUT] terminal		
39	[GENLOCK IN] terminal		
40	HDMI terminal cover		
41	[USB] terminal		
42	[HDMI] terminal		
43	Battery attachment part		
44	Security Slot		
	• Attaching anti-theft equipment can prevent theft. We are not liable for damages that may occur resulting from theft.		
45	AUDIO terminal cover		
46	[MIC] terminal		
47	Headphone terminal		
	• Excessive sound pressure from earphones and headphones can cause hearing loss.		
48	[LAN] terminal		
49	Rear tally lamp		
50	[NETWORK] connection lamp		
51	[] (Delete) button / [] (Cancel) button		
52	Control dial		
53	Cursor buttons		
54	[MENU/SET] button		

Getting Started

Power supply

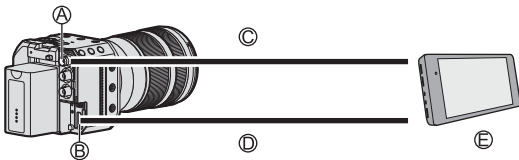
You can supply power to the camera using an AC adaptor (supplied), a PoE+ compatible switching hub or PoE+ compatible injector (commercially available), and a battery pack (optional).

Example: Supplying power with an AC adaptor



- Do not use any other AC adaptors except the supplied one. This may cause malfunction.
- Do not use any other AC cables except the supplied one. This may cause malfunction.

Connecting the external monitor



- Ⓐ [SDI OUT] terminal
- Ⓑ [HDMI] terminal
- Ⓒ BNC cable (commercially available)
- Ⓓ HDMI cable (commercially available)
- Ⓔ External monitor or external recorder (commercially available)

- It is recommended to use a double shielded BNC cable equivalent to 5C-FB.
- Use a Premium High Speed HDMI cable (Type A-Type A plug).

Menu Operation Methods

In this camera, the menu is used for setting a wide variety of functions and performing camera customizations.

- 1 Press [MENU/SET] to display the menu.
- 2 Use cursor buttons/control dial to select the menu item.
- 3 Press [↵] several times to close the menu.

- The date and time are not set when turning the camera on for the first time. Be sure to set the clock and time zone before use.

Troubleshooting

The camera does not turn on.

- Power may not be supplied if the total power limit is exceeded on power supply devices that allow connections to multiple PoE+ terminals. Refer to the operating instructions of the PoE+ power supply device.

The images are not output to the external monitor or external recorder.

The recording information or menu screen is not displayed on the external monitor or external recorder.

- Refer to “Troubleshooting” in the “Owner’s Manual <Complete Guide>” which describes the solution according to the situation.

Refer to the “Owner’s Manual <Complete Guide>” for details about the following information (→1):

- Message Displays
- Troubleshooting

Specifications

- Please also refer to the “Owner’s Manual <Complete Guide>”, which lists more items.

The specifications are subject to change for performance enhancement.
It is possible to record photos (still images) using software “LUMIX Tether”.

Digital camera body (DC-BS1H):

Information for your safety

Power source:	12 V ===
Power consumption:	8.1 W (when recording), 6.9 W (when playing back) <When using the interchangeable lens (S-R24105)>

Type

Type	Digital Single Lens Mirrorless camera
Recording media	SD memory card / SDHC memory card*1 / SDXC memory card*1 *1 Compliant with UHS-I/UHS-II UHS Speed Class 3, UHS-II Video Speed Class 90 Double slot recording function is available.
Lens mount	Leica Camera AG L-Mount

Image sensor

Image sensor	35 mm full-frame (35.6 mm×23.8 mm) CMOS sensor, a total of 25,280,000 pixels, primary color filter
Effective number of pixels of the camera	24,200,000 pixels

Latitude

14+ stops ([V-Log])

Recording format for video	
Video format	MP4 (H.264/MPEG-4 AVC, H.265/HEVC) MOV (H.264/MPEG-4 AVC, H.265/HEVC)
Audio format	MP4: AAC (2ch) MOV: LPCM (2ch, 48 kHz/16-bit)*2 *2 When an XLR Microphone Adaptor (DMW-XLR1PP: optional) is attached, LPCM (2ch, 48 kHz/24-bit, 96 kHz/24-bit) can be selected
Image quality for video	Refer to "Owner's Manual <Complete Guide>" (→1).
Interface	
[REMOTE]	Ø2.5 mm jack Terminal for generic remote control unit (A Panasonic shutter remote control (DMW-RS2) cannot be used.)
[DC IN 12 V]	DC 12 V (11.4 V to 12.6 V) EIAJ Type 4
[MIC]	Ø3.5 mm stereo mini jack
Headphones	Ø3.5 mm stereo mini jack
LAN connector	LAN terminal (RJ-45) for remote control ×1, compatible with power supply by PoE+ (IEEE 802.3at compliant)
[SDI OUT]	BNC terminal×1, 0.8 V [p-p], 75 Ω, 3G-SDI Level-A / HD-SDI compatible
[TC IN/OUT]	BNC terminal ×1, Input: 1.0 V to 4.0 V [p-p], 10 kΩ, Output: 2.0 V ±0.5 V [p-p], low impedance
[GENLOCK IN]	BNC terminal ×1, BBS (Black Burst sync) signal and tri-level sync signal compatible
HDMI	HDMI Type A
USB	USB Type-C™, SuperSpeed USB3.1 GEN1

External dimensions / Mass	
External dimensions	Approx. 93.0 mm (W)×93.0 mm (H)×78.8 mm (D) (3.66" (W)×3.66" (H)×3.1" (D)) (excluding the projecting parts)
Mass (Weight)	Approx. 585 g / 1.29 lb (only camera body)
Operating environment	
Recommended operating temperature	-10 °C to 40 °C (14 °F to 104 °F) <ul style="list-style-type: none"> • Battery performance temporarily worsens at low temperatures (-10 °C to 0 °C (14 °F to 32 °F)), reducing the available recording time. • When using in low temperatures (-10 °C to 0 °C (14 °F to 32 °F)) <ul style="list-style-type: none"> – Before use, attach a Panasonic lens with a minimum recommended operating temperature of -10 °C (14 °F).
Permissible relative humidity	10%RH to 80%RH
Wi-Fi	
Compliance standard	IEEE 802.11b/g/n (standard wireless LAN protocol)
Frequency range used (central frequency)	2412 MHz to 2462 MHz (1 to 11ch)
Encryption method	Wi-Fi compliant WPA™/WPA2™
Access method	Infrastructure mode
Bluetooth	
Compliance standard	Bluetooth Ver. 4.2 (Bluetooth Low Energy (BLE))
Frequency range used (central frequency)	2402 MHz to 2480 MHz



AC adaptor (Panasonic SAE0011A):

Information for your safety

Input:	100 V–240 V \sim 50/60 Hz 1.2 A 79 VA (100 V \sim) - 99 VA (240 V \sim)
Output:	12 V --- 3.0 A

ENGLISH

The symbols on this product (including the accessories) represent the following:

\sim	AC
---	DC
	Class II equipment (The construction of the product is double-insulated.)
	ON
	Stand-by

This camera complies with the “Design rule for Camera File system” (DCF) and “Exchangeable Image File Format” (Exif) standards established by “Japan Electronics and Information Technology Industries Association” (JEITA). The camera cannot play back files that do not comply with the DCF standard. Exif is a file format for pictures which allows recording information, etc. to be added.

Trademarks and Licenses



- L-Mount is a trademark or registered trademark of Leica Camera AG.
- SDXC Logo is a trademark of SD-3C, LLC.
- The terms HDMI and HDMI High-Definition Multimedia Interface, and the HDMI Logo are trademarks or registered trademarks of HDMI Licensing Administrator, Inc. in the United States and other countries.
- USB Type-C™ and USB-C™ are trademarks of USB Implementers Forum.
- The Bluetooth® word mark and logos are registered trademarks owned by Bluetooth SIG, Inc. and any use of such marks by Panasonic Corporation is under license. Other trademarks and trade names are those of their respective owners.
- The Wi-Fi CERTIFIED™ Logo is a registered trademark of Wi-Fi Alliance®.
- The Wi-Fi Protected Setup™ Logo is a trademark of Wi-Fi Alliance®.
- “Wi-Fi®” is a registered trademark of Wi-Fi Alliance®.
- “Wi-Fi Protected Setup™”, “WPA™”, and “WPA2™” are trademarks of Wi-Fi Alliance®.



- QuickTime and the QuickTime logo are trademarks or registered trademarks of Apple Inc., used under license therefrom.
- This product uses “DynaFont” from DynaComware Corporation. DynaFont is a registered trademark of DynaComware Taiwan Inc.
- Other names, company names, and product names mentioned in these instructions are trademarks or registered trademarks of the companies concerned.

At least three (3) years from delivery of this product, Panasonic Corporation will give to any third party who contacts us at the contact information provided below, for a charge no more than our cost of physically performing source code distribution, a complete machine-readable copy of the corresponding source code covered under GPL V2.0 or LGPL V2.1, as well as the respective copyright notice thereof.

Contact Information: oss-cd-request@gg.jp.panasonic.com

The source code and the copyright notice are also available for free in our website below.

<https://panasonic.net/cns/oss/index.html>

This product is licensed under the AVC Patent Portfolio License for the personal use of a consumer or other uses in which it does not receive remuneration to (i) encode video in compliance with the AVC Standard (“AVC Video”) and/or (ii) decode AVC Video that was encoded by a consumer engaged in a personal activity and/or was obtained from a video provider licensed to provide AVC Video. No license is granted or shall be implied for any other use. Additional information may be obtained from MPEG LA, L.L.C.

See <http://www.mpegla.com>

Limited Warranty (ONLY FOR U.S.A.)

Panasonic Products Limited Warranty

Limited Warranty Coverage (For USA Only)

If your product does not work properly because of a defect in materials or workmanship, Panasonic Corporation of North America (referred to as “the warrantor”) will, for the length of the period indicated on the chart below, which starts with the date of original purchase (“warranty period”), at its option either (a) repair your product with new or refurbished parts, (b) replace it with a new or a refurbished equivalent value product, or (c) refund your purchase price. The decision to repair, replace or refund will be made by the warrantor.

Product or Part Name	Parts	Labor
Digital Camera	1 Year	1 Year
All included Accessories (Except Non-Rechargeable Batteries)	90 Days	Not Applicable
Only Non-Rechargeable Batteries	10 Days	Not Applicable

During the “Labor” warranty period there will be no charge for labor. During the “Parts” warranty period, there will be no charge for parts. This Limited Warranty excludes both parts and labor for non-rechargeable batteries, antennas, and cosmetic parts (cabinet). This warranty only applies to products purchased and serviced in the United States. This warranty is extended only to the original purchaser of a new product which was not sold “as is”.

Mail-In Service--Online Repair Request

Online Repair Request

To submit a new repair request and for quick repair status visit our Web Site at <http://shop.panasonic.com/support>.

When shipping the unit, carefully pack, include all supplied accessories listed in the Owner’s Manual, and send it prepaid, adequately insured and packed well in a carton box. When shipping Lithium Ion batteries please visit our Web Site at <http://shop.panasonic.com/support> as Panasonic is committed to providing the most up to date information. Include a letter detailing the complaint, a return address and provide a daytime phone number where you can be reached. A valid registered receipt is required under the Limited Warranty.

IF REPAIR IS NEEDED DURING THE WARRANTY PERIOD, THE PURCHASER WILL BE REQUIRED TO FURNISH A SALES RECEIPT/PROOF OF PURCHASE INDICATING DATE OF PURCHASE, AMOUNT PAID AND PLACE OF PURCHASE. CUSTOMER WILL BE CHARGED FOR THE REPAIR OF ANY UNIT RECEIVED WITHOUT SUCH PROOF OF PURCHASE.

Limited Warranty Limits and Exclusions

This warranty ONLY COVERS failures due to defects in materials or workmanship, and DOES NOT COVER normal wear and tear or cosmetic damage. The warranty ALSO DOES NOT COVER damages which occurred in shipment, or failures which are caused by products not supplied by the warrantor, or failures which result from accidents, misuse, abuse, neglect, mishandling, misapplication, alteration, faulty installation, set-up adjustments, misadjustment of consumer controls, improper maintenance, power line surge, lightning damage, modification, introduction of sand, humidity or liquids, or rental use of the product, or service by anyone other than a Factory Service Center or other Authorized Servicer, or damage that is attributable to acts of God.

THERE ARE NO EXPRESS WARRANTIES EXCEPT AS LISTED UNDER “LIMITED WARRANTY COVERAGE”.

THE WARRANTOR IS NOT LIABLE FOR INCIDENTAL OR CONSEQUENTIAL DAMAGES RESULTING FROM THE USE OF THIS PRODUCT, OR ARISING OUT OF ANY BREACH OF THIS WARRANTY.

(As examples, this excludes damages for lost time, travel to and from the servicer, loss of or damage to media or images, data or other memory or recorded content. The items listed are not exclusive, but for illustration only.)

ALL EXPRESS AND IMPLIED WARRANTIES, INCLUDING THE WARRANTY OF MERCHANTABILITY, ARE LIMITED TO THE PERIOD OF THE LIMITED WARRANTY.

Some states do not allow the exclusion or limitation of incidental or consequential damages, or limitations on how long an implied warranty lasts, so the exclusions may not apply to you.

This warranty gives you specific legal rights and you may also have other rights which vary from state to state. If a problem with this product develops during or after the warranty period, you may contact your dealer or Service Center. If the problem is not handled to your satisfaction, then write to:

Panasonic Corporation of North America
Consumer Affairs Department 8th Fl.
Two Riverfront Plaza
Newark NJ 07102-5490

PARTS AND SERVICE, WHICH ARE NOT COVERED BY THIS LIMITED WARRANTY, ARE YOUR RESPONSIBILITY.

Shop
Accessories!

for all your Panasonic gear

Go to

<http://shop.panasonic.com/support>

Get everything you need to get the most out of
your Panasonic products

Accessories & Parts for your Camera, Phone, A/V
products, TV, Computers & Networking, Personal
Care, Home Appliances, Headphones, Batteries,
Backup Chargers & more...

Customer Services Directory

For Product Information, Operating Assistance,
Parts, Owner's Manuals, Dealer and Service info

go to <http://shop.panasonic.com/support>

For the hearing or speech impaired TTY: 1- 877-833-8855

As of April 2021

Limited Warranty (ONLY FOR CANADA)

Panasonic Canada Inc.

5770 Ambler Drive, Mississauga, Ontario L4W 2T3

ENGLISH

PANASONIC PRODUCT – LIMITED WARRANTY

Panasonic Canada Inc. warrants this product to be free from defects in material and workmanship under normal use and for a period as stated below from the date of original purchase agrees to, at its option either (a) repair your product with new or refurbished parts, (b) replace it with a new or a refurbished equivalent value product, or (c) refund your purchase price. The decision to repair, replace or refund will be made by Panasonic Canada Inc.

Digital Camera	One (1) year, parts and labour
Digital Camera Peripherals	One (1) year, parts and labour
Digital Camera Accessories	Ninety (90) days, parts and labour

This warranty is given only to the original purchaser, or the person for whom it was purchased as a gift, of a Panasonic brand product mentioned above sold by an authorized Panasonic dealer in Canada and purchased and used in Canada, which product was not sold "as is", and which product was delivered to you in new condition in the original packaging.

IN ORDER TO BE ELIGIBLE TO RECEIVE WARRANTY SERVICE HEREUNDER, A PURCHASE RECEIPT OR OTHER PROOF OF DATE OF ORIGINAL PURCHASE, SHOWING AMOUNT PAID AND PLACE OF PURCHASE IS REQUIRED

LIMITATIONS AND EXCLUSIONS

This warranty ONLY COVERS failures due to defects in materials or workmanship, and DOES NOT COVER normal wear and tear or cosmetic damage. The warranty ALSO DOES NOT COVER damages which occurred in shipment, or failures which are caused by products not supplied by Panasonic Canada Inc., or failures which result from accidents, misuse, abuse, neglect, mishandling, misapplication, alteration, faulty installation, set-up adjustments, misadjustment of consumer controls, improper maintenance, improper batteries, power line surge, lightning damage, modification, introduction of sand, humidity or liquids, or rental use of the product, or service by anyone other than a Authorized Servicer, or damage that is attributable to acts of God.

Dry cell batteries, printer ink cartridge and paper are also excluded from coverage under this warranty.

Rechargeable batteries are warranted for ninety (90) days from date of original purchase.

THIS EXPRESS, LIMITED WARRANTY IS IN LIEU OF ALL OTHER WARRANTIES, EXPRESS OR IMPLIED, INCLUDING ANY IMPLIED WARRANTIES OF MERCHANTABILITY AND FITNESS FOR A PARTICULAR PURPOSE. IN NO EVENT WILL PANASONIC CANADA INC. BE LIABLE FOR ANY SPECIAL, INDIRECT OR CONSEQUENTIAL DAMAGES RESULTING FROM THE USE OF THIS PRODUCT OR ARISING OUT OF ANY BREACH OF ANY EXPRESS OR IMPLIED WARRANTY. (As examples, this warranty excludes damages for lost time, travel to and from the Authorized Servicer, loss of or damage to media or images, data or other memory or recorded content. This list of items is not exhaustive, but for illustration only.)

In certain instances, some jurisdictions do not allow the exclusion or limitation of incidental or consequential damages, or the exclusion of implied warranties, so the above limitations and exclusions may not be applicable. This warranty gives you specific legal rights and you may have other rights which vary depending on your province or territory.

WARRANTY SERVICE

For product operation, repairs and information assistance, please visit our Support page:

www.panasonic.ca/english/support

Useful Information (Only For Latin American Countries)

Customer Service

Customer Service Directory

Obtain products information and operative assistant; localize the closer distributor or Service Center; buy spare parts and accessories by our Web Site to Latin America or calling our Contact Center:

COUNTRY	WEB SITE	CONTACT CENTER
Panama	www.panasonic.com/pa/soporte/	800-7262
Colombia	www.panasonic.com/co/soporte/	01-8000-947262
Ecuador	www.panasonic.com/pa/soporte/	1-800-726276
Costa Rica	www.panasonic.com/pa/soporte/	800-7262737
El Salvador	www.panasonic.com/pa/soporte/	800-7262
Guatemala	www.panasonic.com/pa/soporte/	1-801-811-7262
Uruguay	www.panasonic.com/pa/soporte/	0-800-7262
Paraguay	www.panasonic.com/pa/soporte/	Web Site
Chile	www.panasonic.com/cl/soporte/	800-390-602 022-797-5000
Peru	www.panasonic.com/pe/soporte/	0800-00726
Venezuela	www.panasonic.com/pa/soporte/	Web Site
Mexico	www.panasonic.com/mx/soporte/	800-847-7262 55-5000-1200
Argentina		0800-333-7262 0810-321-7262
Dominican Rep.	www.panasonic.com/pa/soporte/	809-200-8000

For Caribbean countries that speak English please enter this web site in order to find information of our products and operative assistant:
www.panasonic.com/caribbean

Veillez lire attentivement les présentes instructions avant d'utiliser ce produit, et conserver ce manuel pour utilisation ultérieure.

À notre clientèle,

Merci d'avoir choisi Panasonic!

Vous avez acheté l'un des appareils les plus perfectionnés et les plus fiables actuellement sur le marché. Utilisé selon les directives, il vous apportera, ainsi qu'à votre famille, des années de plaisir. Veuillez prendre le temps de remplir les informations ci-dessous. Le numéro de série se trouve sur l'étiquette située sur le dessous de votre appareil photo. **Conservez le présent manuel** afin de pouvoir le consulter au besoin.

Date d'achat	Numéro de téléphone du vendeur
Vendeur	Numéro de modèle
Adresse du vendeur	Numéro de série

Remarquez notamment que les commandes, les composants et les menus de votre appareil photo peuvent différer quelque peu de ceux illustrés dans le présent manuel.

Il importe de respecter les droits d'auteur.

L'enregistrement de bandes ou de disques préenregistrés ou de tout matériel publié ou diffusé pour un usage autre que strictement personnel peut enfreindre les lois sur les droits d'auteur. L'enregistrement de certain matériel, même à des fins personnelles, peut aussi être interdit.

Avant utilisation

• **Aucun dédommagement concernant l'enregistrement**

Veillez noter qu'aucun dédommagement ne sera fourni dans le cas où un enregistrement n'a pas pu être effectué à cause d'un problème avec l'appareil photo ou une carte.

• **Attention aux droits d'auteur**

Selon la loi sur le droit d'auteur, les images et le son enregistrés ne peuvent être utilisés à des fins autres que personnelles sans l'autorisation du titulaire des droits d'auteur.

Soyez prudent car il y a des cas où les restrictions s'appliquent même à un enregistrement effectué à des fins personnelles.

• **Consultez également les précautions d'usage dans le « Manuel d'utilisation <Guide complet> »**

À propos de cet appareil photo

Cet appareil n'a pas d'écran.

Pour vérifier les paramètres du menu ou l'écran d'enregistrement, raccordez un moniteur externe ou utilisez le logiciel PC « LUMIX Tether » ci-dessous.

- Pour plus d'informations sur les câbles de raccordement, vérifiez l'interface dans les « Spécifications ». (→47)



Logiciel/Application de commande à distance

<https://panasonic.jp/support/global/cs/dsc/>
(En anglais uniquement)



LUMIX Tether

Il s'agit d'un logiciel PC qui vous permet d'enregistrer et d'effectuer des réglages tout en contrôlant l'appareil photo et en vérifiant la vue en direct. (Vous pouvez enregistrer des photos (images fixes) à l'aide de ce logiciel.)

LUMIX Sync

Il s'agit d'une application pour smartphone qui vous permet d'effectuer des enregistrements à distance ainsi que de vérifier/sauvegarder les images sauvegardées dans l'appareil photo à l'aide d'un smartphone.



Table des matières

Avant utilisation.....	30
Information pour votre sécurité	32
Précautions à prendre	36
Accessoires fournis	38
Noms des éléments.....	40
Mise en route	43
Alimentation	43
Raccordement du moniteur externe	44
Méthodes d'actionnement du menu	45
En cas de problème.....	45
Spécifications	46
Marques de commerce et licences	50
Garantie limitée (Pour le Canada seulement)	52

Information pour votre sécurité

AVERTISSEMENT :

Pour réduire les risques d'incendie, de choc électrique ou de dommages à l'appareil :

- **N'exposez pas cet appareil à la pluie, à l'humidité, à l'égouttement ou aux éclaboussures.**
- **Utilisez les accessoires recommandés.**
- **Ne retirez pas les couvercles.**
- **Ne réparez pas l'appareil vous-même. Confiez toute réparation à un technicien de service qualifié.**

La prise de courant doit se trouver à proximité de l'appareil et être facilement accessible.

■ Plaque signalétique

Produit	Emplacement
Appareil photo numérique	Arrière (emplacement d'installation de la batterie)
Adaptateur secteur	Dessous

CE QUI SUIT NE S'APPLIQUE QU'AU CANADA.

CAN ICES-003(B) / NMB-003(B)

Contient IC: 772C-LB1JS955

L'émetteur/récepteur exempt de licence contenu dans le présent appareil est conforme aux CNR d'Innovation, Sciences et Développement économique Canada applicables aux appareils radio exempts de licence. L'exploitation est autorisée aux deux conditions suivantes :

- (1) L'appareil ne doit pas produire de brouillage;
- (2) L'appareil doit accepter tout brouillage radioélectrique subi, même si le brouillage est susceptible d'en compromettre le fonctionnement.

Les connaissances scientifiques dont nous disposons n'ont mis en évidence aucun problème de santé associé à l'usage des appareils sans fil à faible puissance. Nous ne sommes cependant pas en mesure de prouver que ces appareils sans fil à faible puissance sont entièrement sans danger. Les appareils sans fil à faible puissance émettent une énergie fréquence radioélectrique (RF) très faible dans le spectre des micro-ondes lorsqu'ils sont utilisés. Alors qu'une dose élevée de RF peut avoir des effets sur la santé (en chauffant les tissus), l'exposition à de faibles RF qui ne produisent pas de chaleur n'a pas de mauvais effets connus sur la santé. De nombreuses études ont été menées sur les expositions aux RF faibles et n'ont découvert aucun effet biologique. Certaines études ont suggéré qu'il pouvait y avoir certains effets biologiques, mais ces résultats n'ont pas été confirmés par des recherches supplémentaires. DC-BS1H (HMN est 1JS2101) a été testé et jugé conforme aux limites d'exposition aux rayonnements ISDE énoncées pour un environnement non contrôlé et respecte les règles d'exposition aux fréquences radioélectriques (RF) CNR-102 de l'ISDE.

■ À propos du bloc-batterie

- Utilisez toujours une batterie de marque Panasonic (AG-VBR59P, AG-VBR89G, AG-VBR118G).
- Si une batterie autre que Panasonic est utilisée, nous ne pouvons garantir le bon fonctionnement de l'appareil.

ATTENTION

Batterie (batterie au lithium-ion)

- Utilisez l'appareil spécifié pour recharger la batterie.
- N'utilisez la batterie avec aucun autre appareil que celui spécifié.
- Évitez que de la saleté, du sable, des liquides ou d'autres corps étrangers n'entrent en contact avec les bornes.
- Ne touchez pas aux bornes (+ et -) avec des objets métalliques.
- Évitez de démonter, remodeler, chauffer ou jeter au feu.

Si de l'électrolyte entre en contact avec vos mains ou vos vêtements, lavez-les avec beaucoup d'eau.

Si de l'électrolyte entre en contact avec vos yeux, ne les frottez pas. Rincez-vous les yeux avec beaucoup d'eau, puis consultez un médecin.

ATTENTION

- Danger d'explosion si la batterie n'est pas remplacée correctement. Remplacez-la uniquement par une batterie du type recommandé par le fabricant.
- Suivez les instructions des autorités locales ou celles du détaillant pour jeter les batteries usées.

- N'exposez pas la batterie à la chaleur et tenez-la éloignée de toute flamme.
- Ne laissez pas la ou les batteries dans un véhicule exposé au soleil avec vitres et portes fermées pendant une longue période de temps.
- Ne l'exposez pas à une pression atmosphérique faible en haute altitude.
- Ne l'exposez pas à une pression atmosphérique extrêmement faible, cela risque de provoquer des explosions ou une fuite de liquides et de gaz inflammables.

Avertissement

Risque d'incendie, d'explosion et de brûlures. Ne pas démonter, chauffer à plus de 60 °C (140 °F) ou incinérer.

■ À propos de l'adaptateur secteur (fourni)

ATTENTION!

Afin d'éviter tout risque d'incendie, de choc électrique ou de dommage à l'appareil :

- **N'installez pas ou ne placez pas cet appareil dans une bibliothèque, une armoire ou tout autre espace confiné. Assurez-vous que la ventilation de l'appareil est adéquate.**

Adaptateur secteur

Cet adaptateur secteur fonctionne sur le secteur entre 100 V et 240 V.

Toutefois

- Aux États-Unis et au Canada, l'adaptateur secteur doit être branché sur une prise secteur de 120 V seulement.
- Lors du branchement à une prise secteur à l'extérieur des États-Unis ou du Canada, utilisez un adaptateur conforme à la configuration de la prise secteur.
- Si un branchement à une source de courant supérieur à 125 V doit être effectué, assurez-vous que le câble c.a. est approprié à la source de courant et au adaptateur secteur.
- Communiquez avec un revendeur de produits électroniques pour plus de renseignements quant à la sélection appropriée d'adaptateurs secteurs ou de câbles d'alimentation.

Précautions à prendre

- N'utilisez pas d'autres câbles c.a. que celui fourni.
- Utilisez un câble HDMI haut débit Premium (fiche de Type A - Type A).
- Pour le câble de connexion USB, utilisez un câble blindé avec un noyau de ferrite conforme à l'USB Type C (USB3.1) d'une longueur inférieure à 1,5 m (4,9 pi).
- Il est recommandé d'utiliser un câble BNC à double blindage équivalent à 5C-FB.
- Pour le câble à raccorder à la borne LAN, utilisez celui ci-dessous.
Câble LAN (STP (paire torsadée blindée), catégorie 5e ou supérieure, longueur maximale de 100 m (328 pi))
- N'utilisez pas de câbles de casque d'écoute d'une longueur de 3 m (9,8 pi) ou plus.
- N'utilisez pas de casques stéréo ayant des câbles d'une longueur de plus de 3 m (9,8 pi).
- Utilisez un concentrateur de commutation ou un dispositif d'alimentation compatible PoE+ (conforme à la norme IEEE 802.3at).*1
*1 Assurez-vous qu'il est conforme à la norme de sécurité CEI 60950-1 ou CEI 62368-1.
Si vous n'êtes pas certain de sa conformité aux normes de sécurité, veuillez contacter le fabricant du concentrateur de commutation ou du dispositif d'alimentation.

Éloignez l'appareil le plus possible de tout dispositif émettant un champ électromagnétique (tel un four à micro-ondes, un téléviseur, une console de jeux vidéo, etc.).

- Si vous utilisez l'appareil sur le dessus ou à proximité d'un téléviseur, les images ou le son pourraient être déformés par son champ électromagnétique.
- N'utilisez pas l'appareil à proximité d'un téléphone cellulaire car l'interférence pourrait perturber les images et/ou le son.
- Les puissants champs magnétiques produits par des haut-parleurs ou de gros moteurs électriques peuvent endommager les données ou distordre les images.
- Le rayonnement des ondes électromagnétiques peut affecter cet appareil, en perturbant l'image et/ou le son.
- Dans le cas où l'appareil serait perturbé par un champ électromagnétique et cesserait de fonctionner adéquatement, mettez-le hors marche et retirez-en la batterie ou débranchez l'adaptateur secteur. Remettez la batterie en place ou rebranchez l'adaptateur secteur, puis remettez l'appareil en marche.

N'utilisez pas l'appareil à proximité d'un émetteur radio ou de lignes à haute tension.

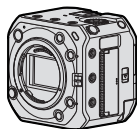
- Si des prises de vues sont faites à proximité d'un émetteur radio ou de lignes à haute tension, les images et/ou les sons enregistrés pourraient en être affectés.

- **Pour nettoyer votre appareil photo, retirez la batterie ou une carte, ou débranchez la fiche du cordon d'alimentation de la prise de courant, puis essuyez avec un chiffon doux et sec.**
- **N'appuyez pas trop fort sur l'objectif.**
- **Ne laissez pas l'appareil photo entrer en contact avec des pesticides ou des substances volatiles (ils peuvent endommager la surface ou causer le détachement du revêtement).**
- **Ne mettez pas en contact des produits en plastique ou en caoutchouc avec l'appareil photo pendant une période prolongée.**
- **N'utilisez pas de solvants comme du benzène, du diluant, de l'alcool, des détergents ménagers, etc., pour nettoyer l'appareil photo, car cela peut détériorer le boîtier externe ou décoller le revêtement.**
- **Ne laissez pas l'appareil photo avec l'objectif tourné vers le soleil, car les rayons du soleil peuvent provoquer son dysfonctionnement.**
- **Utilisez toujours les cordons et les câbles fournis.**
- **N'utilisez pas de rallonges avec le cordon ou les câbles fournis.**
- Les données sur la carte peuvent être endommagées ou perdues en raison d'ondes électromagnétiques, d'électricité statique ou d'une panne de l'appareil photo ou de la carte. Nous vous recommandons de conserver les données importantes sur un ordinateur ou autre.
- **Ne laissez aucun objet métallique (tel qu'une agrafe) près des zones de contact de la fiche du cordon d'alimentation ou à proximité des batteries.**
- **Ne laissez pas des objets sensibles au magnétisme à proximité de cet appareil.**

Accessoires fournis

Boîtier de l'appareil photo numérique

(Le boîtier de l'appareil photo numérique est appelé **appareil photo** dans ce document.)

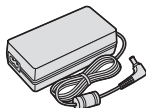


Avant d'utiliser l'appareil photo, vérifiez la présence de tous les accessoires fournis. (Les numéros de produits sont corrects en date d'octobre 2021.)



Adaptateur secteur

- Ceci est utilisé pour l'alimentation.
SAE0011A



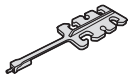
Câble c.a.

K2CA2CA00025



Dispositif de blocage de câble

1AC1MC551Z



Capuchon de boîtier*1

1HE1MC891Z



Cache de la griffe*1

DVYE1121Z



Couvre-bornes BNC*1

DVKJ1044Z/K

Couvre-bornes HDMI*1

DVKJ1045Z/K

Couvre-bornes AUDIO*1

DVKJ1046Z/K

Couvre-bornes DC IN*1

DVKJ1047Y/K

Couvre-bornes REMOTE*1

DVKJ1048Z/K

*1 Celui-ci est fixé à l'appareil photo au moment de l'achat, mais il est amovible.

- **Le bloc-batterie est en option.**

La batterie compatible avec cet appareil photo est le modèle AG-VBR59P/AG-VBR89G/AG-VBR118G. (En date d'octobre 2021)

- **La carte mémoire est en option.**

Rangez les cartes mémoire hors de la portée des enfants afin qu'ils ne puissent pas les avaler.

- **L'objectif interchangeable est en option.**

- **Veillez vous référer aux catalogues/sites Web pour les informations relatives aux objectifs/accessoires compatibles.**

<https://panasonic.jp/support/global/cs/dsc/connect/index.html>

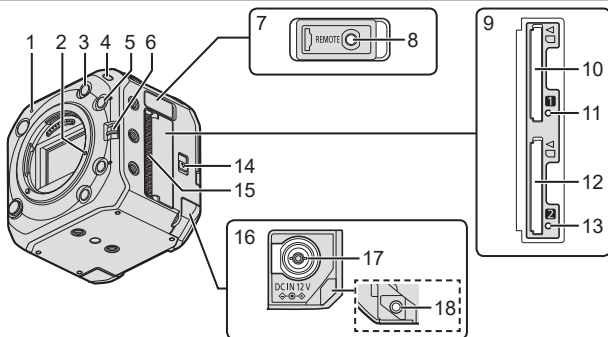
(En anglais uniquement)

– L'installation d'accessoires disponibles dans le commerce qui ne sont pas conformes à la norme L-Mount peut entraîner une panne ou un dysfonctionnement de l'appareil photo.

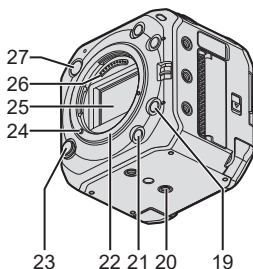
(En cas de panne ou de dysfonctionnement attribuable à cette cause, la garantie sera annulée.)

- Si l'un des accessoires a été perdu, veuillez visiter notre page Soutien à www.panasonic.ca/french/support pour plus de détails sur le remplacement des pièces.
- Veuillez respecter la réglementation locale pour la mise au rebut de toutes les pièces d'emballage.
- Gardez les petites pièces dans un emplacement sûr, hors de portée des enfants.

Noms des éléments



1	Indicateur d'état
2	Trou de vis pour fonction d'expansion
3	Touche Fn (Fn2)
4	Lampe de signalisation avant
5	Touche Fn (Fn3)
6	Commutateur de verrouillage de fonctionnement
7	Couvre-bornes REMOTE • Gardez le couvre-borne REMOTE hors de portée des enfants pour éviter qu'il ne soit avalé.
8	Borne [REMOTE]
9	Couvercle de la carte
10	Logement pour carte 1
11	Témoin d'accès à la carte 1
12	Logement pour carte 2
13	Témoin d'accès à la carte 2
14	Levier de libération du couvercle du logement pour carte
15	Sortie de ventilation (le côté gauche correspond à l'entrée) • Sortie de la ventilation de refroidissement. Ne la bloquez pas pendant l'utilisation de l'appareil.
16	Couvre-bornes DC IN • Gardez le couvre-borne DC IN hors de portée des enfants pour éviter qu'il ne soit avalé.
17	Borne [DC IN 12 V]
18	Emplacement de fixation du dispositif de blocage de câble

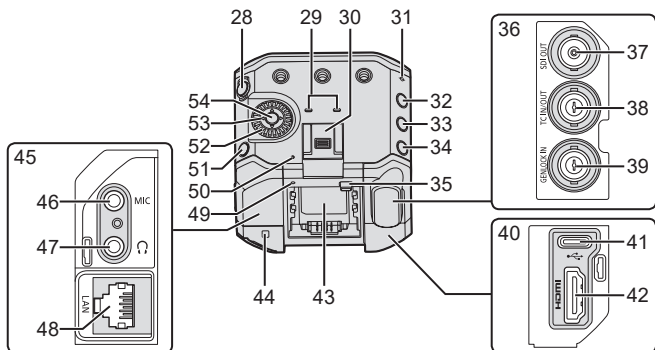
**19** Touche Fn (Fn4)

Monture pour trépied

- Il y a un total de 11 emplacements pour la monture pour trépied : 3 en haut, à droite et à gauche et 2 au-dessous.
- La taille de la vis de fixation est de 1/4-20 UNC (la longueur de la vis est de 5,5 mm (0,22 pouce) ou moins)
- Si vous tentez de fixer une vis d'une longueur supérieure à 5,5 mm (0,22 pouce), vous ne pourrez peut-être pas la fixer correctement ou elle pourrait endommager l'appareil photo.

20

21 Touche Fn (Fn5)**22** Monture**23** Touche de déverrouillage de l'objectif**24** Tige de verrouillage de l'objectif**25** Capteur**26** Points de contact**27** [⏻/⏻] Touche ON/OFF de l'appareil photo

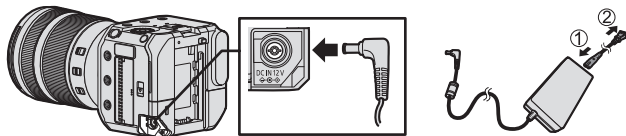


28	Touche d'enregistrement vidéo		
	Microphone stéréo		
29	<ul style="list-style-type: none"> Ne touchez pas le microphone avec le doigt. Le son serait difficile à enregistrer. 		
	Griffe (cache de la griffe)		
30	<ul style="list-style-type: none"> Conservez le couvercle de la griffe porte-accessoires hors de portée des enfants pour éviter qu'ils ne l'valent. 		
31	Indication [⊖] (Repère de référence de la distance d'enregistrement)		
32	Touche Fn (Fn1)		
33	Touche [Q.MENU]		
34	Touche [▶] (Lecture)		
35	Touche de déverrouillage de la batterie		
36	Couvre-bornes BNC		
37	Borne [SDI OUT]		
38	Borne [TC IN/OUT]		
39	Borne [GENLOCK IN]		
40	Couvre-bornes HDMI		
41	Borne [USB]		
42	Borne [HDMI]		
43	Emplacement de fixation de la batterie		
	Fente de sécurité		
44	<ul style="list-style-type: none"> La fixation d'un équipement antivol peut empêcher le vol. Nous ne sommes pas responsables des dommages pouvant résulter d'un vol. 		
45	Couvre-bornes AUDIO		
46	Borne [MIC]		
	Prise casque		
47	<ul style="list-style-type: none"> Une pression sonore excessive provenant des écouteurs ou du casque peut causer une perte de l'audition. 		
48	Borne [LAN]		
49	Lampe de signalisation arrière		
50	Voyant de connexion [NETWORK]		
51	Touche (Supprimer) [⏏] / Touche [↵] (Annuler)		
52	Molette de contrôle		
53	Touches de curseur		
54	Touche de menu/réglage [MENU/SET]		

Alimentation

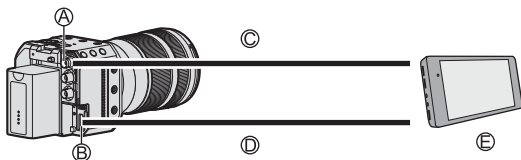
Vous pouvez alimenter l'appareil photo à l'aide de l'adaptateur secteur (fourni), d'un concentrateur de commutation compatible PoE+ ou d'un injecteur compatible PoE+ (disponible dans le commerce) et d'un bloc-batterie (en option).

Exemple : Alimentation avec un adaptateur secteur



- N'utilisez pas d'adaptateurs secteurs autres que celui fourni. Cela peut causer un dysfonctionnement.
- N'utilisez pas d'autres câbles c.a. que celui fourni. Cela peut causer un dysfonctionnement.

Raccordement du moniteur externe



- (A) Borne [SDI OUT]
- (B) Borne [HDMI]
- (C) Câble BNC (disponible dans le commerce)
- (D) Câble HDMI (disponible dans le commerce)
- (E) Moniteur externe ou enregistreur externe (disponible dans le commerce)

- Il est recommandé d'utiliser un câble BNC à double blindage équivalent à 5C-FB.
- Utilisez un câble HDMI haut débit Premium (fiche de Type A - Type A).

Méthodes d'actionnement du menu

Sur cet appareil photo, le menu permet de paramétrer une grande variété de fonctions et d'effectuer la personnalisation de l'appareil photo.

- ➊ Appuyez sur [MENU/SET] pour afficher le menu.
- ➋ Utilisez les touches du curseur ou la molette de contrôle pour sélectionner l'élément de menu.
- ➌ Appuyez plusieurs fois sur [↵] pour fermer le menu.

- La date et l'heure ne sont pas réglées lors de la première mise sous tension de l'appareil photo. Veillez à régler l'horloge et le fuseau horaire avant utilisation.

En cas de problème

L'appareil photo ne s'allume pas.

- L'alimentation peut ne pas être fournie si la limite de puissance totale est dépassée sur les dispositifs d'alimentation permettant des connexions à plusieurs bornes PoE+. Reportez-vous au mode d'emploi du dispositif d'alimentation PoE+.

Les images ne sont pas transmises au moniteur externe ou à l'enregistreur externe.

Les informations d'enregistrement ou l'écran de menu ne s'affichent pas sur le moniteur externe ou l'enregistreur externe.

- Consultez la section « En cas de problème » du « Manuel d'utilisation <Guide complet> » qui décrit la solution en fonction du problème.

Consultez le « Manuel d'utilisation <Guide complet> » pour plus de détails sur les informations suivantes (➔1) :

- Affichages des messages
- En cas de problème

Spécifications

- Veuillez consulter également le « Manuel d'utilisation <Guide complet> », lequel liste plus d'éléments.

Les caractéristiques peuvent être soumises à des changements en vue d'une amélioration des performances.

Il est possible d'enregistrer des photos (images fixes) à l'aide du logiciel « LUMIX Tether ».

Boîtier d'appareil photo numérique (DC-BS1H):

Pour votre sécurité

Source d'alimentation : 12 V ===

Consommation 8,1 W (lors de l'enregistrement),

d'énergie : 6,9 W (lors de la lecture)
<Lors de l'utilisation de l'objectif interchangeable (S-R24105)>

Type

Type	Appareil photo reflex numérique à objectif interchangeable
Support d'enregistrement	Carte mémoire SD / Carte mémoire SDHC*1 / Carte mémoire SDXC*1 *1 Conforme UHS-I/UHS-II UHS Speed Class 3, UHS-II Video Speed Class 90 La fonction d'enregistrement double logement est disponible.
Monture de l'objectif	Leica Camera AG L-Mount

Capteur d'image

Capteur d'image	Capteur CMOS plein cadre 35 mm (35,6 mm×23,8 mm), total de 25 280 000 pixels, filtre couleur primaire
Nombre de pixels efficaces de l'appareil photo	24 200 000 pixels

Latitude de pose

14+ arrêts ([V-Log])

Format d'enregistrement des vidéos	
Format vidéo	MP4 (H.264/MPEG-4 AVC, H.265/HEVC) MOV (H.264/MPEG-4 AVC, H.265/HEVC)
Format audio	MP4 : AAC (2 canaux) MOV : LPCM (2 canaux, 48 kHz/16 bits)*2 *2 Lorsqu'un adaptateur de microphone XLR (DMW-XLR1PP : en option) est installé, LPCM (2 canaux, 48 kHz/24 bits ou 96 kHz/24 bits) peut être sélectionné
Qualité d'image pour vidéo	Pour plus d'informations, reportez-vous au « Manuel d'utilisation <Guide complet> » (➔1).
Interface	
[REMOTE]	Prise de Ø2,5 mm Borne pour commande à distance générique (Un déclencheur à distance Panasonic (DMW-RS2) ne peut pas être utilisé.)
[DC IN 12 V]	12 V CC (11,4 V à 12,6 V) EIAJ Type 4
[MIC]	Mini prise stéréo de Ø3,5 mm
Casque	Mini prise stéréo de Ø3,5 mm
Connecteur LAN	Borne LAN (RJ-45) pour commande à distance ×1, compatible avec une alimentation par PoE+ (conforme à la norme IEEE 802.3at)
[SDI OUT]	Borne BNC ×1, 0,8 V [p-p], 75 Ω, Compatible 3G-SDI niveau A / HD-SDI
[TC IN/OUT]	Borne BNC ×1, Entrée : 1,0 V à 4,0 V [p-p], 10 kΩ, Sortie : 2,0 V ±0,5 V [p-p], faible impédance
[GENLOCK IN]	Borne BNC ×1, compatible avec le signal BBS (Black Burst sync) et le signal de synchronisation à trois niveaux.
HDMI	HDMI Type A
USB	USB Type-C™, SuperSpeed USB3.1 GEN1

Dimensions externes / poids	
Dimensions externes	Environ 93,0 mm (L)×93,0 mm (H)×78,8 mm (P) (3,66" (L)×3,66" (H)×3,1" (P)) (Partie en saillie non comprise)
Poids	Environ 585 g / 1,29 lb (Boîtier de l'appareil photo uniquement)
Configuration requise	
Température de fonctionnement recommandée	-10 °C à 40 °C (14 °F à 104 °F) <ul style="list-style-type: none"> Les performances de la batterie se détériorent temporairement à basse température (-10 °C à 0 °C (14 °F à 32 °F)), ce qui réduit la durée d'enregistrement disponible. Quand il est utilisé lorsque la température est froide (-10 °C à 0 °C (14 °F à 32 °F)) <ul style="list-style-type: none"> Avant usage, installez un objectif Panasonic pouvant fonctionner sous une température minimale de -10 °C (14 °F).
Humidité relative permise	10%RH à 80%RH
Wi-Fi	
Norme de conformité	IEEE 802.11b/g/n (protocole LAN sans fil standard)
Plage de fréquence utilisée (fréquence centrale)	De 2412 MHz à 2462 MHz (de 1 à 11 canaux)
Méthode de chiffrement	WPA™/WPA2™ conforme Wi-Fi
Méthode d'accès	Mode d'infrastructure
Bluetooth	
Norme de conformité	Bluetooth Ver. 4.2 (Bluetooth Low Energy (BLE))
Plage de fréquence utilisée (fréquence centrale)	2402 MHz à 2480 MHz

Adaptateur secteur (Panasonic SAE0011A):

Pour votre sécurité

Entrée :	100 V–240 V \sim 50/60 Hz 1,2 A 79 VA (100 V \sim) - 99 VA (240 V \sim)
Sortie :	12 V --- 3,0 A

FRANÇAIS

Les symboles sur ce produit (y compris les accessoires) représentent ce qui suit :

\sim	CA (courant alternatif)
---	CC (courant continu)
	Appareil de classe II (la construction de ce produit est à double isolation.)
	MARCHE
	Veille

Cet appareil photo est conforme aux normes « Design rule for Camera File system » (DCF) et « Exchangeable Image File Format » (Exif) établies par « Japan Electronics and Information Technology Industries Association » (JEITA). L'appareil photo ne peut pas lire les fichiers non-conformes à la norme DCF. Exif est un format de fichier image qui permet d'ajouter les informations d'enregistrement etc.

Marques de commerce et licences



- L-Mount est une marque déposée de Leica Camera AG.
- Le logo SDXC est une marque de commerce de SD-3C, LLC.
- Les termes HDMI et HDMI High-Definition Multimedia Interface, de même que le logo HDMI sont des marques commerciales ou des marques déposées de HDMI Licensing Administrator, Inc. aux États-Unis et dans d'autres pays.
- USB Type-C™ et USB-C™ sont des marques commerciales d'USB Implementers Forum.
- La marque et les logos Bluetooth® sont des marques déposées appartenant à Bluetooth SIG, Inc. et toute utilisation de telles marques par Panasonic Corporation est sous licence. Les autres marques de commerce et dénominations commerciales appartiennent à leurs propriétaires respectifs.
- Le logo Wi-Fi CERTIFIED™ est une marque déposée de Wi-Fi Alliance®.
- Le logo Wi-Fi Protected Setup™ est une marque de commerce de Wi-Fi Alliance®.
- "Wi-Fi®" est une marque déposée de Wi-Fi Alliance®.
- « Wi-Fi Protected Setup™ », « WPA™ » et « WPA2™ » sont des marques de commerce de Wi-Fi Alliance®.



- QuickTime et le logo QuickTime sont des marques de commerce ou des marques déposées de Apple Inc. et sont utilisées sous licence.
- Ce produit utilise la technologie "DynaFont" de DynaComware Corporation. DynaFont est une marque déposée de DynaComware Taiwan Inc.
- Les autres noms, de produits ou de sociétés, mentionnés dans le présent manuel sont des marques de commerce ou des marques déposées de leurs ayants droit respectifs.

Pendant au moins trois (3) ans à compter de la livraison de ce produit, Panasonic Corporation donnera à toute personne qui nous contacte à l'adresse ci-dessous, pour des frais n'excédant pas le coût de la distribution physique du code source, une copie complète et lisible par machine, du code source correspondant couvert par la GPL V2.0 et LGPL V2.1 ainsi que la notice des droits d'auteur de ceux-ci.

Informations de contact : oss-cd-request@gg.jp.panasonic.com

Le code source et la notice des droits d'auteur sont disponibles gratuitement sur notre site Web suivant.

<https://panasonic.net/cns/oss/index.html>

Ce produit est concédé sous licence au titre de la Licence du Portefeuille de Brevets AVC pour un usage personnel et non commercial par le consommateur en vue du (i) codage vidéo en conformité avec la norme AVC (« Vidéo AVC ») et/ou du (ii) décodage d'une Vidéo AVC codée par un consommateur agissant dans le cadre d'une activité personnelle et non commerciale et/ou obtenue par un fournisseur vidéo autorisé à fournir des Vidéos AVC. Aucune licence n'est accordée ou implicite pour tout autre usage. Des informations supplémentaires peuvent être obtenues auprès de MPEG LA, L.L.C.

Visitez le site <http://www.mpegla.com>

Garantie limitée (Pour le Canada seulement)

Panasonic Canada Inc.

5770, Ambler Drive, Mississauga (Ontario) L4W 2T3

PRODUIT PANASONIC – GARANTIE LIMITÉE

Panasonic Canada Inc. garantit que ce produit est exempt de défauts de matériaux et de main-d'œuvre dans un contexte d'utilisation normale pendant la période indiquée ci-après à compter de la date d'achat original et, dans l'éventualité d'une défectuosité, accepte, à sa discrétion, de (a) réparer le produit avec des pièces neuves ou remises à neuf, (b) remplacer le produit par un produit neuf ou remis à neuf d'une valeur équivalente ou (c) rembourser le prix d'achat. La décision de réparer, remplacer ou rembourser appartient à Panasonic Canada Inc.

Appareils photo numériques	Un (1) an, pièces et main-d'œuvre
Périphériques pour appareils photo numériques	Un (1) an, pièces et main-d'œuvre
Accessoires d'appareils photo numériques	Quatre-vingt-dix (90) jours, pièces et main-d'œuvre

La présente garantie n'est fournie qu'à l'acheteur original d'un des produits de marque Panasonic indiqués plus haut, ou à la personne l'ayant reçu en cadeau, vendu par un détaillant Panasonic agréé au Canada et utilisé au Canada. Le produit ne doit pas avoir été "vendu tel quel" et doit avoir été livré à l'état neuf dans son emballage d'origine.

POUR ÊTRE ADMISSIBLE AUX SERVICES AU TITRE DE LA PRÉSENTE GARANTIE, LA PRÉSENTATION D'UN REÇU D'ACHAT OU DE TOUTE AUTRE PIÈCE JUSTIFICATIVE DE LA DATE D'ACHAT ORIGINAL, INDIQUANT LE MONTANT PAYÉ ET LE LIEU DE L'ACHAT, EST REQUISE.

RESTRICTIONS ET EXCLUSIONS

La présente garantie COUVRE SEULEMENT les défaillances attribuables à un défaut des matériaux ou à un vice de fabrication et NE COUVRE PAS l'usure normale ni les dommages esthétiques. La présente garantie NE COUVRE PAS NON PLUS les dommages subis pendant le transport, les défaillances causées par des produits

non fournis par Panasonic Canada Inc., ni celles résultant d'un accident, d'un usage abusif ou impropre, de négligence, d'une manutention inadéquate, d'une mauvaise application, d'une altération, d'une installation ou de réglages impropres, d'un mauvais réglage des contrôles de l'utilisateur, d'un mauvais entretien, de piles inadéquates, d'une surtension temporaire, de la foudre, d'une modification, de la pénétration de sable, de liquides ou d'humidité, d'une location du produit, d'une réparation effectuée par une entité autre qu'un centre de service Panasonic agréé ou encore d'une catastrophe naturelle.

Les piles sèches, les cartouches d'encre et le papier sont également exclus de la présente garantie.

Les piles rechargeables sont couvertes par une garantie de quatre-vingt-dix (90) jours à compter de la date d'achat original.

CETTE GARANTIE LIMITÉE ET EXPRESSE REMPLACE TOUTE AUTRE GARANTIE, EXPRESSE OU IMPLICITE, INCLUANT LES GARANTIES IMPLICITES DU CARACTÈRE ADÉQUAT POUR LA COMMERCIALISATION ET UN USAGE PARTICULIER. PANASONIC CANADA INC. N'AURA D'OBLIGATION EN AUCUNE CIRCONSTANCE POUR TOUT DOMMAGE DIRECT, INDIRECT OU CONSÉCUTIF RÉSULTANT DE L'UTILISATION DE CE PRODUIT OU DÉCOULANT DE TOUTE DÉROGATION À UNE GARANTIE EXPRESSE OU IMPLICITE. (À titre d'exemples, cette garantie exclut les dommages relatifs à une perte de temps, le transport jusqu'à et depuis un centre de service agréé, la perte ou la détérioration de supports ou d'images, de données ou de tout autre contenu en mémoire ou enregistré. Cette liste n'est pas exhaustive et n'est fournie qu'à des fins explicatives.)

Certaines juridictions ne reconnaissent pas les exclusions ou limitations de dommages indirects ou consécutifs, ou les exclusions de garanties implicites. Dans de tels cas, les limitations stipulées ci-dessus peuvent ne pas être applicables. La présente garantie vous confère des droits précis; vous pourriez aussi avoir d'autres droits pouvant varier selon votre province ou territoire de résidence.

SERVICE SOUS GARANTIE

Pour tout renseignement sur les produits, réparation ou assistance technique, veuillez visiter notre page Soutien :

www.panasonic.ca/french/support

Lea cuidadosamente estas instrucciones antes de usar este producto, y guarde este manual para usarlo en el futuro.

Estimado cliente,

¡Gracias por haber elegido Panasonic!

Usted ha comprado uno de los más sofisticados y confiables productos que se encuentran en el mercado hoy día. Úselo correctamente, le garantizamos que usted y su familia gozarán de él durante años. Tómese un rato para rellenar la información abajo. El número de serie se encuentra en la etiqueta ubicada en la cara inferior de su cámara. Tenga cuidado de **guardar este manual** como fuente de información útil para la cámara.

Fecha de compra	N.o de teléfono del distribuidor
Distribuidor donde se compró	N.o de modelo
Dirección del distribuidor	N.o de serie

Fíjese que los mandos actuales y las piezas, los detalles de menús, etc. de su cámara digital pueden ser algo diferentes de los que se destacan en las figuras de estas instrucciones de funcionamiento.

Observe cuidadosamente las leyes sobre los derechos de autor.

La grabación de cintas pre-grabadas o discos u otro material publicado o transmitido para objetos diferentes del uso privado puede infringir las leyes sobre los derechos de autor. Para cierto material puede limitarse también la reproducción de objetos de uso privado.

Antes del uso

- **Ninguna compensación con respecto a la grabación**

Tenga en cuenta que no se puede proporcionar compensación en caso de que no se pueda realizar la grabación debido a un problema con la cámara o la tarjeta.

- **Tenga cuidado con respecto a los derechos de autor**

De acuerdo con la ley de derechos de autor, no puede utilizar imágenes y audio que haya grabado para otros fines que no sean el uso personal sin el permiso del titular del copyright. Tenga cuidado, porque hay casos en los que se aplican restricciones a la grabación, incluso con el propósito de su disfrute personal.

- **Consulte también las precauciones de uso en las “Instrucciones de funcionamiento <Guía completa>”**

Acerca de esta cámara

Esta unidad no tiene monitor.

Para consultar los ajustes del menú o la pantalla de grabación, conecte un monitor externo o utilice el software para PC "LUMIX Tether" que aparece a continuación.

- Para obtener información detallada sobre los cables de conexión, consulte la interfaz de las "Especificaciones". (→72)



Aplicación/Software de control remoto

<https://panasonic.jp/support/global/cs/dsc/> (Solo en inglés)



LUMIX Tether

Este es un software para PC que permite grabar y hacer ajustes mientras se controla la cámara y se examina la visualización en directo. (Puede utilizar este software para grabar fotos (imágenes fijas)).

LUMIX Sync

Esta es una aplicación para smartphones que le permite realizar grabaciones remotas, así como comprobar/guardar imágenes de la cámara con un smartphone.



Contenidos

Antes del uso	54
Información para su seguridad	56
Cuidados para el uso.....	61
Accesorios estándar	63
Nombres de las piezas.....	65
Primeros pasos.....	68
Alimentación	68
Conexión del monitor externo.....	69
Métodos de operación del menú.....	70
Búsqueda de averías.....	70
Especificaciones	71
Marcas comerciales y licencias	75
Información Útil (Solo para los países de América Latina)	77

Información para su seguridad

ADVERTENCIA:

Para reducir el riesgo de incendios, descargas eléctricas o daños en el producto:

- No exponga esta unidad a la lluvia, a la humedad, al goteo o a las salpicaduras.
- Use los accesorios recomendados.
- No retire las cubiertas.
- No repare usted mismo esta unidad. Solicite las reparaciones al personal de servicio calificado.

La toma de corriente ha de estar instalada cerca del equipo y estar fácilmente al alcance.

■ Marcas de identificación del producto

Producto	Ubicación
Cámara digital	Parte trasera (donde se instala la batería)
Adaptador de CA	Parte inferior

LO SIGUIENTE SÓLO SE APLICA EN LOS EE. UU.**Nota FCC:**

Este equipo se ensayó y se encontró que cumple con los límites de un dispositivo digital de la Clase B, de acuerdo con la Parte 15 de las Reglas FCC. Dichos límites se han previsto para proporcionar una razonable protección contra las interferencias dañinas en una instalación residencial. Este equipo genera, utiliza y puede radiar frecuencias radio y, por si no se instala y no se utiliza según dichas instrucciones, puede causar interferencias dañinas en las comunicaciones radio. Sin embargo, no hay ninguna garantía que dichas interferencias puedan ocurrir en instalaciones especiales. Si este equipo no causa interferencias dañinas a recepción de radio o televisión, que pueden ser determinadas apagando y enciende el equipo, se anima al usuario a intentar corregir la interferencia por medio de una o más de las medidas a continuación:

- Vuelva a orientar o colocar la antena receptora.
- Aumente el espacio separador entre el equipo y el receptor.
- Conecte el equipo a un toma de un circuito diferente al que está conectado el receptor.
- Llame para ayuda a concesionario o a un técnico especializado de radio/televisores.

Aviso de FCC:

- Cualquier cambio o modificación no autorizada en este equipo anularía la autoridad del usuario para operar este dispositivo.
- Para garantizar el cumplimiento continuado, siga las instrucciones de instalación adjuntas y use solamente los cables de interfaz protegidos con el núcleo de ferrita al conectar a un ordenador o dispositivos periféricos.

Este dispositivo cumple con la Parte 15 de las Reglas FCC. Su funcionamiento está sujeto a las dos condiciones a continuación: (1) Este dispositivo no puede causar interferencias dañinas y (2) este dispositivo tiene que aceptar cualquier interferencia recibida, incluyendo las que puede causar un funcionamiento no deseado.

Declaración de conformidad del proveedor

Nombre comercial: Panasonic

Model N.: DC-BS1H

Parte responsable: Panasonic Corporation of North America

Two Riverfront Plaza, Newark, NJ 07102-5490

Contacto para atención: <http://shop.panasonic.com/support>

La operación de este equipo está sujeta a las siguientes dos condiciones: (1) es posible que este equipo o dispositivo no cause interferencia perjudicial y (2) este equipo o dispositivo debe aceptar cualquier interferencia, incluyendo la que pueda causar su operación no deseada.

Para América Latina.

Este producto lleva incorporado un módulo inalámbrico:

Modelo No. Type 1JS

LO SIGUIENTE SÓLO SE APLICA EN LOS EE. UU.

Contiene FCC ID: VPYLB1JS955

Este transmisor no debe estar co-ubicado u operado junto con cualquier otra antena o transmisor.

Este equipo cumple con los límites de exposición a la radiación exigidos por la FCC establecidos para un ambiente no controlado y cumple con las pautas de exposición a radio frecuencia (RF) de la FCC, ya que este equipo presenta muy bajos niveles de energía RF.

■ Acerca de la batería

- Use siempre baterías originales Panasonic (AG-VBR59P, AG-VBR89G, AG-VBR118G).
- Si usa otras baterías no podremos garantizar la calidad de este producto.

CUIDADO

Batería (Batería de iones de litio)

- Utilice la unidad especificada para cargar la batería.
- No utilice la batería con un equipo diferente de la unidad especificada.
- No ensucie los terminales, y evite que estos tengan arena, líquidos u otras materias extrañas.
- No toque los terminales del enchufe (+ y -) con objetos metálicos.
- No desarme, remodele, caliente o tire al fuego la batería.

Si el electrolito entra en contacto con sus manos o ropas, lave a fondo la parte afectada con agua.

Si el electrolito entrase en contacto con sus ojos, no se los frote nunca. Aclárelos a fondo con agua y luego consulte a un médico.

CUIDADO

- Existe peligro de explosión si la batería se reemplaza mal. Reemplácela por otra del tipo recomendado por el fabricante.
- Cuando se deshaga de las baterías, póngase en contacto con las autoridades de su localidad o con su concesionario y pregunte por el método correcto para deshacerse de ellas.

- No la caliente ni la exponga a las llamas.
- No deje las baterías dentro de un automóvil expuesto a la luz solar directa durante un periodo largo de tiempo con sus puertas y ventanas cerradas.
- No exponga a una baja presión de aire a altitudes elevadas.
- No exponga a presiones de aire extremadamente bajas, puesto que puede dar lugar a explosiones o fugas de gases y líquidos inflamables.

Advertencia

Riesgo de incendio, explosión o quemaduras. No desarme, caliente a más de 60 °C (140 °F) ni incinere la batería.

■ Acerca del adaptador de CA (suministrado)

¡CUIDADO!

Para reducir el riesgo de incendios, descargas eléctricas o daños en el producto:

- **No instale ni coloque esta unidad en un mueble librería, gabinete incorporado ni en otro espacio confinado. Asegúrese de que esta unidad esté bien ventilada.**
- El adaptador de CA está en estado de espera cuando se conecta la clavija de alimentación. El circuito primario siempre está bajo tensión mientras la clavija de alimentación está conectada a una toma de corriente.

Para Estados Unidos y CANADÁ

Adaptador de CA

Este adaptador de CA funciona con una alimentación entre 100 V y 240 V de CA. Pero

- En los EE.UU. y Canadá, el adaptador de CA deberá conectarse solamente a una fuente de alimentación de CA de 120 V.
- Cuando conecte a una fuente de alimentación de CA fuera de los EE.UU. o Canadá, utilice un adaptador en la clavija de forma que ésta pueda conectarse a la toma de CA correspondiente.
- Al conectar a un suministro de más de 125 V de CA, asegúrese de que el cable que usa sea adecuado para el voltaje del suministro de CA y para la corriente nominal del adaptador de CA.
- Comuníquese con un distribuidor de piezas eléctricas para obtener ayuda al seleccionar el adaptador del enchufe de CA o el cable de CA adecuados.

Cuidados para el uso

- No utilice ningún otro cable de CA que no sea el suministrado.
- Utilice un cable HDMI de alta velocidad de alta calidad (conector Tipo A-Tipo A).
- Para el cable de conexión USB, utilice un producto apantallado con núcleo de ferrita, compatible con USB Tipo C (USB3.1) y con una longitud inferior a 1,5 m (4,9 pies).
- Se recomienda utilizar un cable BNC con doble apantallado equivalente a 5C-FB.
- Para el cable que se conecta al terminal LAN, utilice el que se indica a continuación. Cable LAN (STP (Shielded Twisted Pair, par trenzado apantallado), categoría 5e o superior, máximo 100 m (328 pies))
- No utilice cables de auriculares cuya longitud sea de 3 m (9,8 pies) o más.
- No utilice cables para micrófono estéreo con una longitud de 3 m (9,8 pies) o más.
- Use un concentrador de conmutación PoE+ compatible (que cumpla con IEEE 802.3at) o un dispositivo de suministro de alimentación.*¹
 - *¹ Asegúrese de que cumpla con los estándares de seguridad IEC 60950-1 o IEC 62368-1. Si no está seguro de esto, contacte con el fabricante del concentrador de conmutación o dispositivo de suministro de alimentación.

Mantenga esta unidad tan lejos como sea posible de equipos electromagnéticos (como hornos de microondas, televisores, juegos de vídeo, etc.).

- Si usa esta unidad encima o cerca de un TV, las imágenes y/o el sonido de la misma puede que sean distorsionados por la radiación de ondas electromagnéticas.
- No use esta unidad cerca de teléfonos móviles porque al hacerlo puede que se produzcan ruidos que afectan adversamente a las imágenes y/o al sonido.
- Los campos magnéticos intensos creados por altavoces o motores grandes puede que dañen los datos grabados o que distorsionen las imágenes.
- La radiación de ondas electromagnéticas puede afectar adversamente a esta unidad, distorsionando las imágenes y/o el sonido.
- Si esta unidad es afectada adversamente por un equipo electromagnético y deja de funcionar bien, apáguela y retire la batería o desconecte el adaptador de CA. Luego reinserte la batería o reconecte el adaptador de CA y encienda esta unidad.

No use esta unidad cerca de transmisores de radio o líneas de alta tensión.

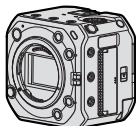
- Si graba cerca de transmisores de radio o líneas de alta tensión, las imágenes y/o los sonidos grabados puede que sean afectados adversamente.

- **Para limpiar la cámara, quite la batería y la tarjeta, desconecte la clavija de alimentación de la toma de corriente y frote con un paño suave y seco.**
 - **No presione el objetivo con demasiada fuerza.**
 - **No permita que la cámara entre en contacto con pesticidas o sustancias volátiles (la superficie se puede dañar o puede desprenderse la capa del acabado).**
 - **No deje productos de goma o de plástico en contacto con la cámara durante un largo período de tiempo.**
 - **No utilice disolventes tales como bencina, diluyentes, alcohol, detergentes de cocina, etc., para limpiar la cámara, puesto que pueden deteriorar la caja exterior o hacer que se desprenda el revestimiento.**
 - **No deje la cámara con el objetivo orientado hacia el sol, dado que los rayos de luz procedentes del sol pueden causar fallos en el funcionamiento.**
 - **Utilice siempre los cables suministrados.**
 - **No extienda el cordón o el cable suministrado.**
 - Los datos de la tarjeta se pueden dañar o perder debido a ondas electromagnéticas, electricidad estática o avería de la cámara o de la tarjeta. Recomendamos almacenar los datos importantes en una PC, etc.
 - **No deje ningún elemento de metal (como clips, por ejemplo) cerca de los contactos de la clavija de alimentación o de las baterías.**
 - **No deje cerca de esta unidad objetos que puedan verse afectados magnéticamente.**
-

Accesorios estándar

Cuerpo de la cámara digital

(El cuerpo de la cámara digital se denomina **cámara** en este documento).



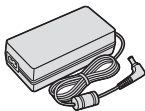
Antes de usar la cámara verifique que todos los accesorios han sido suministrados. (Números de producto correctos a fecha de octubre de 2021.)



Adaptador de CA

- Se utiliza para el suministro de alimentación.

SAE0011A



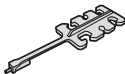
Cable de CA

K2CA2CA00025



Banda del bloqueo de cable

1AC1MC551Z



Tapa del cuerpo*1

1HE1MC891Z



Cubierta de la zapata de contacto*1

DVYE1121Z



Tapa del terminal BNC*1

DVKJ1044Z/K

Tapa del terminal HDMI*1

DVKJ1045Z/K

Tapa del terminal AUDIO*1

DVKJ1046Z/K

Tapa del terminal DC IN*1

DVKJ1047Y/K

Tapa del terminal REMOTE*1

DVKJ1048Z/K

*1 Está montado en la cámara en el momento de la compra, pero se puede retirar.

- **El paquete de baterías es opcional.**

La batería que se puede usar con la cámara es la AG-VBR59P/AG-VBR89G/AG-VBR118G. (A fecha de octubre de 2021)

- **La tarjeta de memoria es un accesorio opcional.**

Guarde la tarjeta de memoria fuera del alcance de los niños para evitar que éstos la ingerieran accidentalmente.

- **La lente intercambiable es opcional.**

- **Consulte los catálogos/sitios web para obtener la información relativa a los objetivos/accesorios compatibles.**

<https://panasonic.jp/support/global/cs/dsc/connect/index.html>

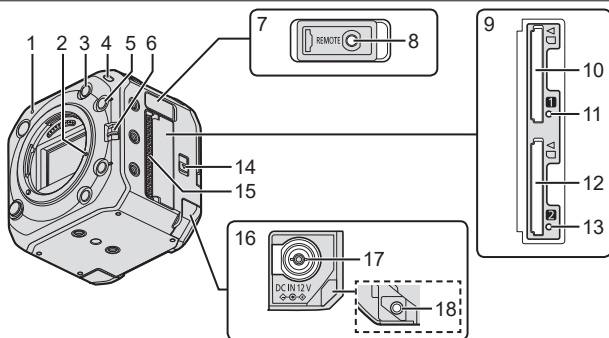
(Solo en inglés)

– Montar accesorios disponibles en el mercado que no sean compatibles con el estándar L-Mount puede ocasionar un fallo de funcionamiento o un mal funcionamiento de la cámara.

(Si se produce un fallo o mal funcionamiento debido a esto, la garantía quedará invalidada.)

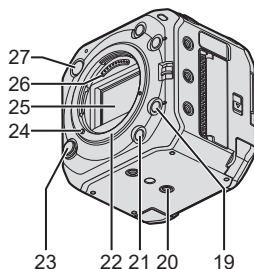
- Consulte con su proveedor o con Panasonic si pierde los accesorios suministrados. (Puede adquirir los accesorios por separado).
- Deshágase apropiadamente de todo el material de empaquetado.
- Guarde las piezas pequeñas en un lugar seguro fuera del alcance de los niños.

Nombres de las piezas



ESPAÑOL

1	Indicador de estado		
2	Orificio de tornillo para la ampliación de funciones		
3	Botón Fn (Fn2)		
4	Lámpara indicadora delantera		
5	Botón Fn (Fn3)		
6	Interruptor de bloqueo de funcionamiento		
7	Tapa del terminal REMOTE • Guarde la tapa del terminal REMOTE fuera del alcance de los niños para evitar que se la traguen.		
8	Terminal [REMOTE]		
9	Tapa de la tarjeta de memoria		
10	Ranura para tarjeta 1		
11	Luz de acceso a la tarjeta 1		
12	Ranura para tarjeta 2		
13	Luz de acceso a la tarjeta 2		
14	Palanca de liberación de la tapa de la tarjeta		
15	Salida del ventilador (en lado izquierdo está entrada) • Salida para el ventilador de refrigeración. No la bloquee mientras utiliza la unidad.		
16	Tapa del terminal DC IN • Guarde la tapa del terminal DC IN fuera del alcance de los niños para evitar que se la traguen.		
17	Terminal [DC IN 12 V]		
18	Pieza de montaje de la banda del bloqueo de cable		



19 Botón Fn (Fn4)

Montaje del trípode

- En total hay 11 lugares donde se puede montar el trípode, de los cuales se encuentran 3 en la parte superior, 3 a la izquierda, 3 a la derecha y 2 en la parte inferior.

20

- El tamaño de la rosca de montaje es de 1/4-20 UNC (la longitud del tornillos debe ser igual o inferior a 5,5 mm (0,22 pulg.))
- Si intenta montar un tornillo de más de 5,5 mm (0,22 pulg.), quizá no pueda fijarlo con seguridad en su lugar o podría dañar la cámara.

21 Botón Fn (Fn5)

22 Montura

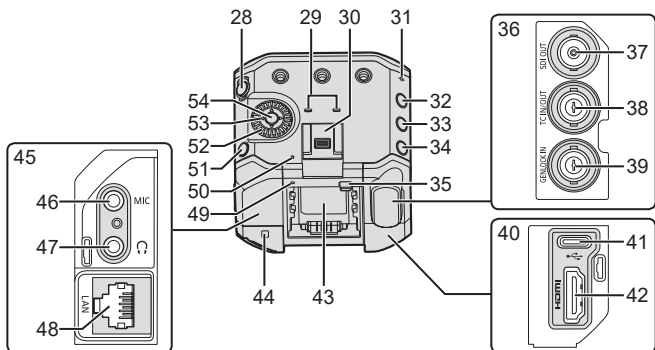
23 Botón de liberación de la lente

24 Palanca de bloqueo del objetivo

25 Sensor

26 Puntos de contacto

27 [⏻/⏻] Botón ON/OFF de la cámara



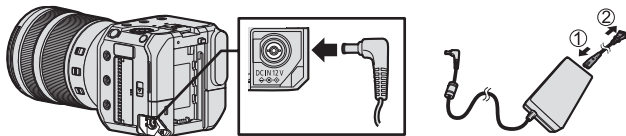
28	Botón de grabación de vídeo	43	Pieza de montaje de la batería
29	Micrófono estéreo		Ranura de seguridad
	<ul style="list-style-type: none"> No bloquee el micrófono con el dedo. Será difícil grabar el audio. 	44	<ul style="list-style-type: none"> Si monta equipo antirrobo puede evitar robos. No nos hacemos responsables de los daños que se puedan derivar del robo.
30	Zapata de contacto (cubierta de la zapata de contacto)	45	Tapa del terminal AUDIO
	<ul style="list-style-type: none"> Guarde la cubierta de la zapata de contacto fuera del alcance de los niños para evitar que éstos la traguen. 	46	Terminal [MIC]
31	[⊖] (Marca de referencia de la distancia de grabación)	47	Terminal para auriculares
32	Botón Fn (Fn1)		<ul style="list-style-type: none"> La presión excesiva del sonido de audífonos o auriculares puede causar pérdida auditiva.
33	Botón [Q.MENU]	48	Terminal [LAN]
34	Botón [▶] (Reproducción)	49	Lámpara indicadora trasera
35	Botón de liberación de la batería	50	Luz de conexión [NETWORK]
36	Tapa del terminal BNC	51	Botón [⏏] (Eliminar) / Botón [↵] (Cancelar)
37	Terminal [SDI OUT]	52	Disco de control
38	Terminal [TC IN/OUT]	53	Botones de cursor
39	Terminal [GENLOCK IN]	54	Botón [MENU/SET]
40	Tapa del terminal HDMI		
41	Terminal [USB]		
42	Terminal [HDMI]		

Primeros pasos

Alimentación

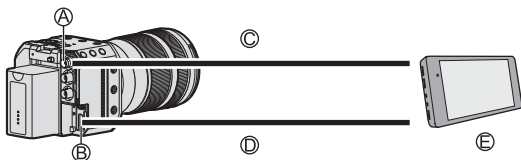
Para alimentar la cámara, puede utilizar un adaptador de CA (suministrado), un concentrador de conmutación compatible con PoE+ o un inyector compatible con PoE+ (disponible en el mercado) y un paquete de baterías (opcional).

Ejemplo: Alimentación con un adaptador de CA



- No use un adaptador de CA que no sea el suministrado. Esto puede ocasionar un error en el funcionamiento.
- No utilice ningún otro cable de CA que no sea el suministrado. Esto puede ocasionar un error en el funcionamiento.

Conexión del monitor externo



- Ⓐ Terminal [SDI OUT]
- Ⓑ Terminal [HDMI]
- Ⓒ Cable BNC (disponible en el mercado)
- Ⓓ Cable HDMI (disponible en el mercado)
- Ⓔ Monitor externo o grabadora externa (disponible en el mercado)

- Se recomienda utilizar un cable BNC con doble apantallado equivalente a 5C-FB.
- Utilice un cable HDMI de alta velocidad de alta calidad (conector Tipo A-Tipo A).

Métodos de operación del menú

En esta cámara, el menú se utiliza para configurar una amplia variedad de funciones y realizar personalizaciones de la cámara.

- 1 Presione [MENU/SET] para mostrar el menú.
- 2 Use los botones del cursor o el dial de control para seleccionar el elemento de menú.
- 3 Presione [↵] varias veces para cerrar el menú.

- La fecha y la hora no están ajustadas cuando se enciende la cámara por primera vez. No olvide ajustar el reloj y la zona horaria antes de utilizarla.

Búsqueda de averías

La cámara no se enciende.

- Es posible que no se suministre alimentación si se supera el límite de potencia total en los dispositivos de alimentación que permitan la conexión a varios terminales PoE+. Consulte las instrucciones de funcionamiento del dispositivo de alimentación PoE+.

Las imágenes no se envían al monitor externo ni a la grabadora externa. La información de grabación o pantalla del menú no se muestran en el monitor externo ni en la grabadora externa.

- Consulte "Búsqueda de averías" en las "Instrucciones de funcionamiento <Guía completa>". Encontrará una descripción de la solución según la situación.

Consulte las "Instrucciones de funcionamiento <Guía completa>" para obtener detalles sobre la información siguiente (→1):

- Visualizaciones de mensajes
- Búsqueda de averías

Especificaciones

- Consulte también las “Instrucciones de funcionamiento <Guía completa>”, donde se listan más elementos.

Las especificaciones están sujetas a cambios para la mejora del rendimiento.

Si no es posible grabar fotos (imágenes fijas) con software “LUMIX Tether”.

Cuerpo de la cámara digital (DC-BS1H):

Información para su seguridad

Fuente de alimentación:	12 V ---
Potencia absorbida:	8,1 W (al grabar), 6,9 W (al reproducir) <Cuando se utiliza la lente intercambiable (S-R24105)>

Tipo	
Tipo	Cámara digital monolente sin espejo
Medio de grabación	Tarjeta de memoria SD / Tarjeta de memoria SDHC*1 / Tarjeta de memoria SDXC*1 *1 Conforme con UHS-I/UHS-II Clase de velocidad UHS 3, UHS-II Clase de velocidad de vídeo 90 La función de grabación en ranura doble está disponible.
Montaje de la lente	Leica Camera AG L-Mount
Sensor de la imagen	
Sensor de la imagen	Sensor CMOS de tipo de marco completo de 35 mm (35,6 mm×23,8 mm), un total de 25.280.000 píxeles, filtro de color primario
Número efectivo de píxeles de la cámara	24.200.000 píxeles
Latitud	
14+ paradas ([V-Log])	

Formato de grabación para vídeo	
Formato de vídeo	MP4 (H.264/MPEG-4 AVC, H.265/HEVC) / MOV (H.264/MPEG-4 AVC, H.265/HEVC)
Formato de audio	MP4: AAC (2c) MOV: LPCM (2c, 48 kHz/16 bits)*2 *2 Cuando se conecta un adaptador para micrófono XLR (DMW-XLR1PP: opcional), se puede seleccionar LPCM (2c, 48 kHz/24 bits, 96 kHz/24 bits)
Calidad de imagen para vídeo	Para ver información detallada, consulte las "Instrucciones de funcionamiento <Guía completa>" (→1).
Interfaz	
[REMOTE]	Enchufe de Ø2,5 mm Terminal para la unidad de control remoto genérica (No se puede utilizar un obturador remoto de Panasonic (DMW-RS2)).
[DC IN 12 V]	CC 12 V (11,4 V a 12,6 V) EIAJ Tipo4
[MIC]	Mini jack estéreo de Ø3,5 mm
Auriculares	Mini jack estéreo de Ø3,5 mm
Conector LAN	Terminal LAN (RJ-45) para control remoto ×1, compatible con la alimentación mediante PoE+ (conforme con IEEE 802.3at)
[SDI OUT]	Terminal BNC ×1, 0,8 V [p-p], 75 Ω, Compatible con 3G-SDI Nivel-A / HD-SDI
[TC IN/OUT]	Terminal BNC ×1, Entrada: 1,0 V hasta 4,0 V [p-p], 10 kΩ, Salida: 2,0 V ±0,5 V [p-p], baja impedancia
[GENLOCK IN]	Terminal BNC ×1, compatible con BBS (Black Burst sync, sincronización Black Burst) y señal de sincronización de tres niveles.
HDMI	HDMI Tipo A
USB	USB Type-C™, SuperSpeed USB3.1 GEN1



Dimensiones externas / Masa	
Dimensiones externas	Aprox. 93,0 mm (An)×93,0 mm (Alt)×78,8 mm (P) (3,66" (An)×3,66" (Alt)×3,1" (P)) (excluyendo las porciones de proyección)
Masa	Aprox. 585 g / 1,29 lb (solo cuerpo de la cámara)
Entorno operativo	
Temperatura de funcionamiento recomendada	-10 °C a 40 °C (14 °F a 104 °F) <ul style="list-style-type: none"> • El rendimiento de la batería empeora temporalmente a bajas temperaturas (-10 °C a 0 °C (14 °F a 32 °F)), lo que reduce el tiempo de grabación disponible. • Cuando se use a temperaturas bajas (-10 °C a 0 °C (14 °F a 32 °F)) <ul style="list-style-type: none"> – Antes del uso, coloque una lente Panasonic con una temperatura mínima de funcionamiento recomendada de -10 °C (14 °F).
Humedad relativa admisible	10%RH a 80%RH
Wi-Fi	
Cumplimiento de la norma	IEEE 802.11b/g/n (protocolo de LAN inalámbrica estándar)
Rango de frecuencias usado (frecuencia central)	2412 MHz a 2462 MHz (1 a 11 canales)
Método de codificación	Wi-Fi conforme con WPA™/WPA2™
Método de acceso	Modo de infraestructura
Bluetooth	
Cumplimiento de la norma	Bluetooth Ver. 4.2 (Bluetooth Low Energy (BLE))
Rango de frecuencias usado (frecuencia central)	2402 MHz a 2480 MHz

Adaptador de CA (Panasonic SAE0011A):

Información para su seguridad

Entrada:	100 V–240 V ~ 50/60 Hz 1,2 A 79 VA (100 V ~) - 99 VA (240 V ~)
Salida:	12 V=== 3,0 A

Los símbolos de este producto (incluidos los accesorios) representan lo siguiente:

~	CA (Corriente alterna)
===	CC (Corriente continua)
	Equipo de Clase II (La construcción del producto tiene doble aislamiento.)
	ENCENDIDO
	Espera

Esta cámara cumple las normas "Design rule for Camera File system" (DCF) y "Exchangeable Image File Format" (Exif) establecidas por la "Japan Electronics and Information Technology Industries Association" (JEITA). La cámara no puede reproducir archivos que no cumplan el estándar DCF. Exif es un formato de archivo para imágenes que permite añadir información de grabación, etc.

Marcas comerciales y licencias



- L-Mount es una marca comercial o marca comercial registrada de Leica Camera AG.
- El símbolo SDXC es una marca comercial de SD-3C, LLC.
- Los términos HDMI y HDMI High-Definition Multimedia Interface, y el Logotipo HDMI son marcas comerciales o marcas registradas de HDMI Licensing Administrator, Inc. en los Estados Unidos y en otros países.
- USB Type-C™ y USB-C™ son marcas comerciales de USB Implementers Forum.
- La marca denominativa Bluetooth® y sus logos son marcas comerciales registradas de Bluetooth SIG, Inc. y cualquier uso de dichas marcas por parte de Panasonic Corporation se realiza bajo licencia. Otros nombres de marcas y marcas comerciales son propiedad de sus respectivos propietarios.
- El logotipo Wi-Fi CERTIFIED™ es una marca comercial registrada de Wi-Fi Alliance®.
- El logotipo Wi-Fi Protected Setup™ es una marca comercial de Wi-Fi Alliance®.
- "Wi-Fi®" es una marca registrada de Wi-Fi Alliance®.
- "Wi-Fi Protected Setup™", "WPA™" y "WPA2™" son marcas comerciales de Wi-Fi Alliance®.



- QuickTime y el logo QuickTime son marcas o marcas registradas de Apple Inc., usadas con licencia.
 - Este producto utiliza "DynaFont" de DynaComware Corporation. DynaFont es una marca registrada de DynaComware Taiwan Inc.
 - Otros nombres, nombres de compañías y nombres de productos mencionados en estas instrucciones son marcas de fábrica o marcas registradas de las compañías pertinentes.
-

Durante al menos tres (3) años a partir del suministro de este producto, Panasonic Corporation otorgará a cualquier tercero que se ponga en contacto a través de la información proporcionada a continuación, por un precio que no supere el costo de realizar físicamente la distribución del código fuente, una copia completa legible por máquina del código fuente correspondiente de acuerdo con GPL V2.0 o LGPL V2.1 junto con su respectivo aviso de derechos de autor.

Información de contacto: oss-cd-request@gg.jp.panasonic.com

El código fuente y el aviso de derechos de autor también se pueden obtener de forma gratuita en el sitio web que se indica a continuación.

<https://panasonic.net/cns/oss/index.html>

Este producto cuenta con Licencia del Portafolio de Patentes AVC para que un consumidor pueda hacer uso personal y no comercial para (i) codificar vídeo cumpliendo con la norma AVC ("AVC Video") y/o (ii) decodificar AVC Video que fue codificado por un consumidor que desempeña una actividad personal y/o que fue obtenido de un proveedor de vídeo con licencia para proveer AVC Video. No se otorga licencia ni se da a entender que ésta se otorga para ningún otro uso. Se puede obtener información adicional de MPEG LA, L.L.C.

Visite <http://www.mpegla.com>

Información Útil

(Solo para los países de América Latina)

Atención al Cliente

Directorio de Atención al cliente

Obtenga información de productos y asistencia operativa, localice el Centro de Servicio más cercano y compre repuestos y accesorios a través de nuestro Sitio Web o llamando a nuestro Contact Center:

PAIS	SITIO WEB	CONTACT CENTER
Panamá	www.panasonic.com/pa/soporte/	800-7262
Colombia	www.panasonic.com/co/soporte/	01-8000-947262
Ecuador	www.panasonic.com/pa/soporte/	1-800-726276
Costa Rica	www.panasonic.com/pa/soporte/	800-7262737
El Salvador	www.panasonic.com/pa/soporte/	800-7262
Guatemala	www.panasonic.com/pa/soporte/	1-801-811-7262
Uruguay	www.panasonic.com/pa/soporte/	0-800-7262
Paraguay	www.panasonic.com/pa/soporte/	Sitio Web
Chile	www.panasonic.com/cl/soporte/	800-390-602 022-797-5000
Perú	www.panasonic.com/pe/soporte/	0800-00726
Venezuela	www.panasonic.com/pa/soporte/	Sitio Web
México	www.panasonic.com/mx/soporte/	800-847-7262 55-5000-1200
Argentina		0800-333-7262 0810-321-7262
R. Dominicana	www.panasonic.com/pa/soporte/	809-200-8000

Para países del CARIBE anglosajón, por favor dirigirse a nuestro sitio web para información de productos y asistencia operativa:
www.panasonic.com/caribbean

Leia cuidadosamente estas instruções antes de usar este produto e guarde este manual para consulta futura.

Caro cliente,

Obrigado por escolher a Panasonic!

Você adquiriu um dos mais sofisticados e confiáveis produtos disponíveis no mercado hoje. Quando utilizado corretamente, estamos certos de que ele irá proporcionar anos de diversão e prazer a você e sua família. Dedique alguns minutos para preencher as informações abaixo. O número de série pode ser encontrado na etiqueta localizada no lado de baixo de sua câmera. Certifique-se de **guardar este manual** para uso como uma conveniente fonte de informações sobre sua câmera.

Data da compra	Telefone do revendedor
Revendedor	Modelo no
Endereço do revendedor	Número de série

Observe que os controles, componentes, itens de menu e outros itens de sua Câmera digital podem parecer um pouco diferentes daqueles mostrados nas ilustrações destas Instruções de operação.

Respeite as leis de direitos autorais.

A gravação de fitas, discos pré-gravados ou outros materiais publicados ou divulgados com outras finalidades que não o uso particular pode infringir as leis de direitos autorais. Mesmo para uso particular, pode haver restrições à gravação de certos materiais.

Antes de usar

• **Nenhuma indenização por problemas de gravação**

Observe que nenhuma indenização poderá ser fornecida no caso de a gravação não poder ser realizada em virtude de um problema com a câmera ou um cartão.

• **Tome cuidado com direitos autorais**

De acordo com a lei de direitos autorais, imagens e áudios gravados não podem ser utilizados para outras finalidades além do uso pessoal sem a permissão do detentor dos direitos autorais. Tome cuidado, pois há casos em que há restrições aplicáveis às gravações, mesmo que estas sejam para uso pessoal.

• **Consulte também os Cuidados de uso em “Instruções de operação <Guia Completo>”**

Sobre esta câmera

Esta unidade não possui um monitor.

Para verificar as configurações do menu ou a tela de gravação, conecte um monitor externo ou use o software "LUMIX Tether" para PC, abaixo.

- Para obter detalhes sobre os cabos de conexão, verifique a interface das "Especificações". (→93)



Software/aplicativo de controle remoto

<https://panasonic.jp/support/global/cs/dsc/> (apenas em inglês)



LUMIX Tether

Este é um software para PC que lhe permite gravar e fazer configurações enquanto controla a câmera e acompanha a exibição ao vivo. (Você pode tirar fotos (imagens estáticas) usando este software.)

LUMIX Sync

Este é um aplicativo para smartphone que permite fazer gravações remotamente, bem como verificar/salvar imagens que estão arquivadas na câmera usando um smartphone.



Conteúdo

Antes de usar.....	78
Informações para a sua segurança	80
Cuidados de uso.....	82
Acessórios padrão	84
Nomes das peças	86
Instruções preliminares	89
Fonte de alimentação	89
Como conectar o monitor externo	90
Operação do menu	91
Identificação e resolução de problemas	91
Especificações.....	92
Marcas comerciais e licenças	96

Informações para a sua segurança

AVISO:

Para reduzir o risco de incêndio, choques elétricos ou danos ao produto:

- Não exponha esta unidade à chuva, umidade, gotejamentos ou respingos.
- Use somente os acessórios recomendados.
- Não retire as tampas.
- Não faça reparos nesta unidade por conta própria. Os reparos devem ser feitos por pessoal qualificado.

A tomada da rede deve estar instalada próximo ao equipamento e ser de fácil acesso.

■ Marcações de identificação do produto

Produto	Localização
Câmera digital	Parte traseira (local de instalação da bateria)
Transformador de CA	Parte inferior

■ Sobre a bateria

- Use sempre baterias Panasonic genuínas (AG-VBR59P, AG-VBR89G, AG-VBR118G).
- Se você usar outras baterias, não poderemos garantir a qualidade deste produto.

CUIDADO

- Perigo de explosão se a bateria for substituída por outra de tipo incorreto. Substitua somente pelo tipo recomendado pelo fabricante.
 - Antes de descartar as baterias, entre em contato com as autoridades locais ou o revendedor e verifique o método correto de disposição.
- Não aqueça nem exponha a chamas.
 - Não deixe as baterias no interior de um veículo exposto à luz solar direta por um período de tempo prolongado e com as portas e janelas fechadas.
 - Não exponha a pressões de ar baixas ou altitudes elevadas.
 - Não exponha a pressões de ar extremamente baixas, pois isso poderá resultar em explosões ou no vazamento de líquidos e gases inflamáveis.

Aviso

Risco de incêndio, explosão e queimaduras. Não desmonte, não aqueça a uma temperatura acima de 60 °C (140 °F), nem incinere.

■ Sobre o transformador de CA (incluído)

CUIDADO!

Para reduzir o risco de incêndio, choques elétricos ou danos ao produto:

- **Não instale nem coloque esta unidade em uma estante de livros, armário embutido ou em nenhum outro espaço confinado. Certifique-se de que esta unidade fique bem ventilada.**
- O transformador de CA permanece na condição de espera quando o plugue da alimentação está conectado. O circuito primário fica sempre energizado, desde que o plugue da alimentação esteja conectado a uma tomada da rede.

Cuidados de uso

- Não use nenhum outro cabo CA além daquele fornecido.
- Use um cabo HDMI Premium de alta velocidade (conector Tipo A-Tipo A).
- Para cabos com conexão USB, use um que seja blindado, com núcleo de ferrita compatível com o USB tipo C (USB3.1) e comprimento inferior a 1,5 m (4,9 pés).
- Recomenda-se usar um cabo BNC com blindagem dupla, equivalente ao 5C-FB.
- Para o cabo a ser conectado ao terminal LAN, use o tipo abaixo.
Cabo LAN (STP (par blindado trançado), categoria 5e ou melhor, comprimento máximo de 100 m (328 pés))
- Não use cabos de fones de ouvido com comprimento maior ou igual a 3 m (9,8 pés).
- Não use cabos de microfone estéreo com comprimento maior ou igual a 3 m (9,8 pés).
- Use um hub de comutação PoE+ compatível (em conformidade com a norma IEEE 802.3at) ou uma fonte de alimentação.*1
 - *1 Certifique-se de que seja compatível com as normas de segurança IEC 60950-1 ou IEC 62368-1.
Se não estiver certo sobre a conformidade com as normas de segurança, entre em contato com o fabricante do hub de comutação ou da fonte de alimentação.

Mantenha esta unidade tão distante quanto possível de equipamentos eletromagnéticos (tais como fornos de micro-ondas, aparelhos de TV, videogames, etc.).

- Se você usar esta unidade sobre ou próximo a um aparelho de TV, as imagens e/ou o som da unidade poderão sofrer interferência devido à radiação eletromagnética.
- Não use esta unidade próximo a telefones celulares, pois o ruído destes poderá afetar adversamente as imagens e/ou o som.
- Os fortes campos magnéticos criados por alto-falantes ou motores de grande porte podem danificar os dados gravados ou distorcer as imagens.
- A radiação eletromagnética pode afetar adversamente esta unidade, interferindo com as imagens e/ou o som.
- Se esta unidade for adversamente afetada por equipamentos eletromagnéticos e deixar de funcionar corretamente, desligue-a e remova a bateria ou desconecte o transformador de CA. Em seguida, recoloque a bateria ou reconecte o transformador de CA e ligue a unidade novamente.

Não use esta unidade próximo a transmissores de rádio ou linhas de alta tensão.

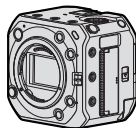
- Se você fizer uma gravação próximo a transmissores de rádio ou linhas de alta tensão, as imagens e/ou os áudios gravados serão afetados adversamente.

- Para limpar a câmera, remova a bateria ou o cartão, ou então desconecte o plugue da alimentação da tomada de rede e limpe com um pano macio seco.
- Não pressione a lente com força excessiva.
- Não permita que a câmera entre em contato com pesticidas ou substâncias voláteis (elas podem provocar danos superficiais ou fazer o revestimento descascar).
- Não deixe produtos de borracha ou de plástico em contato com a câmera por períodos de tempo prolongados.
- Não use solventes como benzina, tiner, álcool, detergentes de cozinha, etc. para limpar a câmera, pois eles podem deteriorar o invólucro externo ou fazer o revestimento descascar.
- Não deixe a lente da câmera exposta ao sol, pois os raios solares podem provocar problemas de funcionamento.
- Use sempre os fios e cabos fornecidos.
- Não use extensões com os fios ou cabos fornecidos.
- Os dados do cartão podem ser danificados ou mesmo perdidos devido a ondas eletromagnéticas, eletricidade estática ou a avarias na câmera ou no próprio cartão. Recomendamos armazenar dados importantes em um PC ou semelhante.
- Não deixe nenhum objeto metálico (tal como clipes) próximo das áreas de contato do plugue de alimentação ou próximo das baterias.
- Não mantenha próximos a esta unidade objetos que possam ser influenciados magneticamente.

Acessórios padrão

Corpo da câmera digital

(O corpo da câmera digital é referido apenas como **câmera** neste documento.)



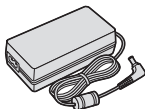
Verifique se todos os acessórios foram fornecidos antes de usar a câmera. (Os números de produto estão corretos para datas a partir de outubro de 2021)



Transformador de CA

- Este é usado com a fonte de alimentação.

SAE0011A



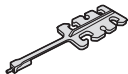
Cabo CA

K2CA2CA00025



Abraçadeira do cabo

1AC1MC551Z



Tampa do corpo*1

1HE1MC891Z



Cobertura da sapata*1

DVYE1121Z



Tampa do terminal BNC*1

DVKJ1044Z/K

Tampa do terminal HDMI*1

DVKJ1045Z/K

Tampa do terminal AUDIO*1

DVKJ1046Z/K

Tampa do terminal DC IN*1

DVKJ1047Y/K

Tampa do terminal REMOTE*1

DVKJ1048Z/K

*1 Este item é acoplado à câmera no momento da compra, mas é removível.

- **A bateria é opcional.**

As baterias que podem ser usadas com a câmera são a AG-VBR59P, AG-VBR89G e AG-VBR118G. (Para datas a partir de outubro de 2021.)

- **O cartão de memória é opcional.**

Mantenha o cartão de memória fora do alcance de crianças para evitar que seja engolido.

- **A lente intercambiável é opcional.**

- **Consulte os catálogos/websites quanto às informações relativas a lentes/ acessórios suportados.**

<https://panasonic.jp/support/global/cs/dsc/connect/index.html>

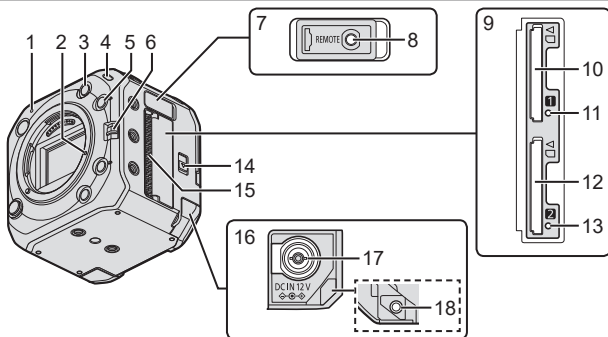
(apenas em inglês)

– Conectar acessórios comercialmente disponíveis que não sejam compatíveis com o padrão de L-Mount pode acarretar falha de operação ou mau funcionamento da câmera.

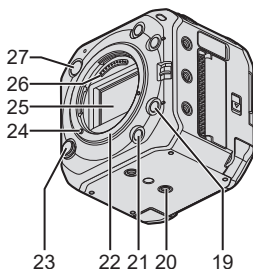
(A garantia será invalidada caso ocorra uma falha ou mau funcionamento devido a isso.)

- Consulte o revendedor ou a Panasonic em caso de perda de algum acessório fornecido. (Os acessórios podem ser adquiridos separadamente.)
- Descarte todos os materiais de embalagem corretamente.
- Mantenha peças pequenas em um local seguro, fora do alcance de crianças.

Nomes das peças



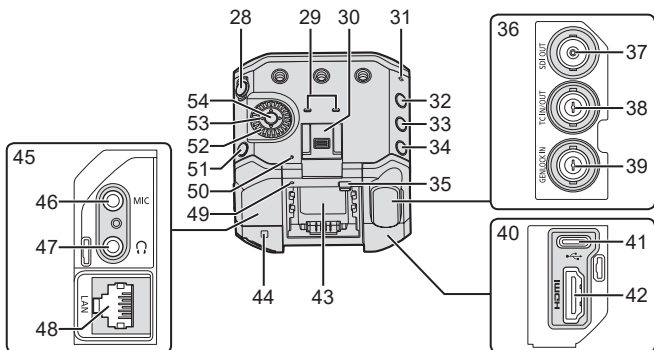
1	Indicador de status		
2	Orifício do parafuso para expansão de função		
3	Botão Fn (Fn2)		
4	Lâmpada indicadora dianteira		
5	Botão Fn (Fn3)		
6	Interruptor de bloqueio de operação		
7	Tampa do terminal REMOTE • Mantenha a tampa do terminal REMOTE (remoto) fora do alcance de crianças para evitar que seja engolida.		
8	Terminal [REMOTE]		
9	Porta dos cartões		
10	Slot do cartão 1		
11	Luz de acesso do cartão 1		
12	Slot do cartão 2		
13	Luz de acesso do cartão 2		
14	Botão de destravamento da porta dos cartões		
15	Saída da ventoinha (o lado esquerdo é a entrada) • Saída da ventoinha de resfriamento. Não bloqueie esta abertura enquanto a unidade estiver sendo usada.		
16	Tampa do terminal DC IN • Mantenha a tampa do terminal DC IN fora do alcance de crianças para evitar que seja engolida.		
17	Terminal [DC IN 12 V]		
18	Peça de fixação da abraçadeira de cabo		

**19** Botão Fn (Fn4)

Encaixe do tripé

- Existem 11 locais, no total, para o encaixe do tripé, sendo 3 na parte superior, 3 à direita, 3 à esquerda e 2 na parte inferior.
- O parafuso de instalação é de 1/4-20 UNC (comprimento de 5,5 mm (0,22 pol) ou inferior)
- Se você tentar usar um parafuso mais longo que 5,5 mm (0,22 pol), poderá não ser possível prendê-lo com firmeza ou ele poderá danificar a câmera.

20**21** Botão Fn (Fn5)**22** Montagem**23** Botão de liberação da lente**24** Pino de travamento da lente**25** Sensor**26** Pontos de contato**27** [⏻/⏻] Botão LIGA/DESLIGA da câmera



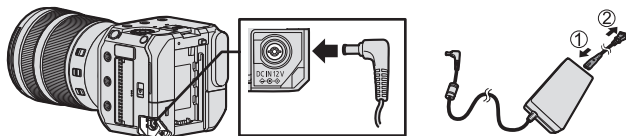
28	Botão de gravação de vídeo		
	Microfone estéreo		
29	<ul style="list-style-type: none"> Não bloqueie o microfone com o dedo. Isso dificultará a gravação do áudio. 	44	Slot de segurança
			<ul style="list-style-type: none"> A instalação de um acessório antirroubo pode ajudar a prevenir roubos. Não nos responsabilizamos por danos que possam decorrer de roubos.
30	Sapata (cobertura da sapata) <ul style="list-style-type: none"> Mantenha a cobertura da sapata fora do alcance de crianças para evitar que seja engolida. 	45	Tampa do terminal AUDIO
31	[] (Marca de referência da distância de gravação)	46	Terminal [MIC]
32	Botão Fn (Fn1)	47	Terminal dos fones de ouvido
33	Botão [Q.MENU]		<ul style="list-style-type: none"> Uma pressão sonora excessiva nos fones de ouvido pode provocar a perda de audição.
34	[] Botão reproduzir (Playback)	48	Terminal [LAN]
35	Botão de liberação da bateria	49	Lâmpada indicadora traseira
36	Tampa do terminal BNC	50	Lâmpada de conexão à rede
37	Terminal [SDI OUT]		[] Botão (Excluir) /
38	Terminal [TC IN/OUT]	51	[] Botão (Cancelar)
39	Terminal [GENLOCK IN]	52	Dial de controle
40	Tampa do terminal HDMI	53	Botões do cursor
41	Terminal [USB]	54	Botão [MENU/SET]
42	Terminal [HDMI]		
43	Peça de fixação da bateria		

Instruções preliminares

Fonte de alimentação

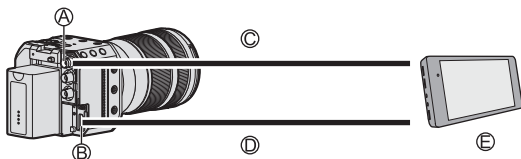
A alimentação de energia da câmera pode ser feita usando-se um transformador de CA (fornecido), um hub de comutação PoE+ compatível ou um injetor PoE+ compatível (comercialmente disponíveis), e uma bateria (opcional).

Exemplo: Alimentação com transformador de CA



- Não use nenhum outro transformador de CA além daquele fornecido. Deixar de cumprir esta instrução pode provocar problemas de funcionamento.
- Não use nenhum outro cabo CA além daquele fornecido. Deixar de cumprir esta instrução pode provocar problemas de funcionamento.

Como conectar o monitor externo



(A) Terminal [SDI OUT]

(B) Terminal [HDMI]

(C) Cabo BNC (comercialmente disponível)

(D) Cabo HDMI (comercialmente disponível)

(E) Monitor externo ou gravador externo (comercialmente disponível)

- Recomenda-se usar um cabo BNC com blindagem dupla, equivalente ao 5C-FB.
- Use um cabo HDMI Premium de alta velocidade (conector Tipo A-Tipo A).

Operação do menu

Nesta câmera, o menu é usado para ajustar uma grande variedade de funcionalidades e personalizar a câmera.

- 1 Pressione [MENU/SET] para exibir o menu.
- 2 Use os botões do cursor/dial de controle para selecionar o item desejado do menu.
- 3 Pressione [↵] diversas vezes para fechar o menu.

- A data e hora ainda não estão definidas quando a câmera é ligada pela primeira vez. Certifique-se de ajustar o relógio e o fuso horário antes de usar.

Identificação e resolução de problemas

A câmera não liga.

- A alimentação de energia pode falhar se o limite total de energia for excedido em fontes de alimentação que permitem conexões a vários terminais PoE+. Consulte as instruções de operação da fonte de alimentação PoE+.

As imagens não são enviadas para o monitor externo ou gravador externo.

As informações de gravação ou a tela do menu não são exibidas no monitor externo ou no gravador externo.

- Consulte a seção “Resolução de problemas” no documento “Instruções de operação <Guia Completo>”, onde são descritas as soluções de acordo com cada situação.

Consulte as “Instruções de operação <Guia Completo>” para obter detalhes sobre as seguintes informações (→1):

- Exibição de mensagens
- Identificação e resolução de problemas

Especificações

- Consulte também as “Instruções de operação <Guia Completo>”, que relaciona mais itens.

As especificações estão sujeitas a alterações para melhorias de desempenho.

É possível tirar fotos (imagens estáticas) usando o software “LUMIX Tether”.

Corpo da câmera digital (DC-BS1H):

Informações para a sua segurança

Fonte de alimentação: 12 V ===

Consumo de energia: 8,1 W (durante gravações), 6,9 W (durante reproduções)
<Com o uso de lente intercambiável (S-R24105)>

Tipo

Tipo	Câmera digital sem espelho com lente simples
Meios de gravação	Cartão de memória SD / cartão de memória SDHC*1 / cartão de memória SDXC*1 *1 Em conformidade com a Classe de velocidade UHS 3 UHS-I/UHS-II, Classe de velocidade de vídeo UHS-II 90 A função de gravação em slot duplo encontra-se disponível.

Suporte da lente Leica Camera AG L-Mount

Sensor de imagem

Sensor de imagem Sensor de CMOS de 35 mm de quadro completo (35,6 mm×23,8 mm), um total de 25.280.000 pixels, filtro de cores primárias

Número efetivo de pixels da câmera 24.200.000 pixels

Latitude

14+ stops ([V-Log])

Formato de gravação de vídeo	
Formato de vídeo	MP4 (H.264/MPEG-4 AVC, H.265/HEVC) MOV (H.264/MPEG-4 AVC, H.265/HEVC)
Formato de áudio	MP4: AAC (2ch) MOV: LPCM (2ch, 48 kHz/16-bit)*2 *2 Quando um adaptador de microfone XLR (DMW-XLR1PP: opcional) é acoplado, a LPCM (Modulação por código de pulso linear - 2 can., 48 kHz/24 bits, 96 kHz/24 bits) pode ser selecionada
Qualidade da imagem de vídeo	Para obter detalhes, consulte "Instruções de operação <Guia Completo>" (→1).
Interface	
[REMOTE]	Conector, Ø2,5 mm Terminal para a unidade genérica de controle remoto (Os controles remotos de obturador Panasonic (DMW-RS2) não podem ser usados.)
[DC IN 12 V]	12 V CC (11,4 V a 12,6 V) EIAJ Tipo 4
[MIC]	Miniconector estéreo, Ø3,5 mm
Fones de ouvido	Miniconector estéreo, Ø3,5 mm
Conector LAN	Terminal LAN (RJ-45) para controle remoto ×1, com fonte de alimentação compatível via PoE+ (em conformidade com a norma IEEE 802.3at)
[SDI OUT]	Terminal BNC ×1, 0,8 V [p-p], 75 Ω, compatível com 3G-SDI Nível-A / HD-SDI
[TC IN/OUT]	Terminal BNC ×1, Entrada: 1,0 V a 4,0 V [p-p], 10 kΩ, Saída: 2,0 V ±0,5 V [p-p], baixa impedância
[GENLOCK IN]	Terminal BNC ×1, compatível com sinal BBS (sincronismo black burst) e tri-level.
HDMI	HDMI Tipo A
USB	USB Type-C™, SuperSpeed USB3.1 GEN1

Dimensões externas / peso	
Dimensões externas	Aproximadamente 93,0 mm (L)×93,0 mm (A)×78,8 mm (P) (3,66" (L)×3,66" (A)×3,1" (P)) (excluindo componentes salientes)
Peso	Cerca de 585 g / 1,29 lb (somente o corpo da câmera)
Ambiente de operação	
Temperatura de operação recomendada	-10 °C a 40 °C (14 °F a 104 °F) <ul style="list-style-type: none"> O desempenho da bateria fica temporariamente deficiente a baixas temperaturas (-10 °C a 0 °C (14 °F a 32 °F)), reduzindo o tempo disponível para gravação. Uso a baixas temperaturas (-10 °C a 0 °C (14 °F a 32 °F)) <ul style="list-style-type: none"> – Antes de usar, coloque uma lente Panasonic para uma temperatura de operação recomendada mínima de -10 °C (14 °F).
Umidade relativa permitida	10%RH a 80%RH
Wi-Fi	
Conformidade normativa	IEEE 802.11b/g/n (protocolo LAN sem fio padrão)
Faixa de frequência utilizada (frequência central)	2412 MHz a 2462 MHz (1 a 11 canais)
Método de encriptação	WPA™/WPA2™, compatível com Wi-Fi
Método de acesso	Modo de infraestrutura
Bluetooth	
Conformidade normativa	Bluetooth versão 4.2 (Bluetooth Low Energy - BLE)
Faixa de frequência utilizada (frequência central)	2402 MHz a 2480 MHz

Transformador de CA (Panasonic SAE0011A):

Informações para a sua segurança

Entrada:	100 V–240 V ~ 50/60 Hz 1,2 A 79 VA (100 V ~) - 99 VA (240 V ~)
Saída:	12 V= 3,0 A

Os símbolos neste produto (incluindo os acessórios) representam o seguinte:

~	CA
=	CC
□	Equipamentos classe II (o produto é fabricado com isolamento duplo.)
I	LIGADO (ON)
⏻	Em espera

Esta câmera atende à "Norma de projeto para sistemas de arquivos de câmeras" (DCF) e à norma de "Formato de arquivo de imagem intercambiável" (Exif) estabelecidas pela "Associação Japonesa de Indústrias Eletrônicas e de Tecnologia da Informação" (JEITA). A câmera não reproduz arquivos que não atendam à norma DCF. Exif é um formato de arquivo de imagens que permite a adição de informações de gravação, etc.

Marcas comerciais e licenças



- L-Mount é uma marca registrada ou marca registrada comercial da Leica Camera AG.
- O logo da SDXC é marca comercial da SD-3C, LLC.
- Os termos HDMI, HDMI High-Definition Multimedia Interface, e o logo HDMI são marcas comerciais ou marcas registradas da HDMI Licensing Administrator, Inc. nos Estados Unidos e em outros países.
- USB Type-C™ e USB-C™ são marcas comerciais do USB Implementers Forum.
- A marca nominativa e o logo Bluetooth® são marcas registradas pertencentes à Bluetooth SIG Inc. e todos os usos de tais marcas pela Panasonic Corporation estão licenciados. Outras marcas ou nomes comerciais pertencem a seus respectivos proprietários.
- O logotipo Wi-Fi CERTIFIED™ é uma marca registrada comercial da Wi-Fi Alliance®.
- O logotipo Wi-Fi Protected Setup™ é uma marca registrada da Wi-Fi Alliance®.
- “Wi-Fi®” é marca registrada da Wi-Fi Alliance®.
- “Wi-Fi Protected Setup™”, “WPA™” e “WPA2™” são marcas comerciais da Wi-Fi Alliance®.



- QuickTime e o logotipo QuickTime são marcas registradas ou marcas registradas comerciais da Apple Inc., utilizadas sob licença a partir deste ponto.
- Este produto utiliza o “DynaFont” da DynaComware Corporation. DynaFont é marca registrada da DynaComware Taiwan Inc.
- Outros nomes, incluindo nomes de empresas e produtos, mencionados nestas instruções, são marcas comerciais ou marcas registradas das empresas pertinentes.

Por pelo menos três (3) anos a contar da aquisição deste produto, a Panasonic Corporation fornecerá a qualquer terceiro que entre em contato conosco através das informações de contato fornecidas a seguir, e por um preço não superior a nosso custo de efetuar fisicamente a distribuição do código-fonte, uma cópia completa, em formato legível por máquina, do código-fonte correspondente coberto pelas licenças GPL V2.0 ou LGPL V2.1, bem como da respectiva declaração de direitos autorais daquele.

Informações para contato: oss-cd-request@gg.jp.panasonic.com

O código-fonte e a declaração de direitos autorais também podem ser obtidos gratuitamente em nosso website, abaixo.

<https://panasonic.net/cns/oss/index.html>

Este produto é licenciado nos termos da Licença de Portfólio de Patentes AVC para uso pessoal de um consumidor, ou outros usos em que não haja recebimento de remuneração para (i) codificar vídeos de acordo com a Norma AVC (“vídeos AVC”); e/ou, (ii) decodificar vídeos de AVC que tenham sido codificados por um consumidor em uma atividade pessoal, e/ou que tenham sido obtidos de um fornecedor de vídeos licenciado para fornecer vídeos de AVC. Nenhuma licença é concedida nem dever ser subentendida para nenhum outro uso. Informações adicionais podem ser obtidas com a MPEG LA, L.L.C.

Consulte <http://www.mpegla.com>

Panasonic Corporation
Web site: <http://www.panasonic.com>

Panasonic Corporation of North America
Two Riverfront Plaza, Newark, NJ 07102-5490
<http://shop.panasonic.com>

Panasonic Canada Inc.
5770 Ambler Drive, Mississauga, Ontario L4W 2T3
www.panasonic.com

© Panasonic Corporation 2021

Printed in China
Imprimé en Chine
Impreso en China
Impresso na China