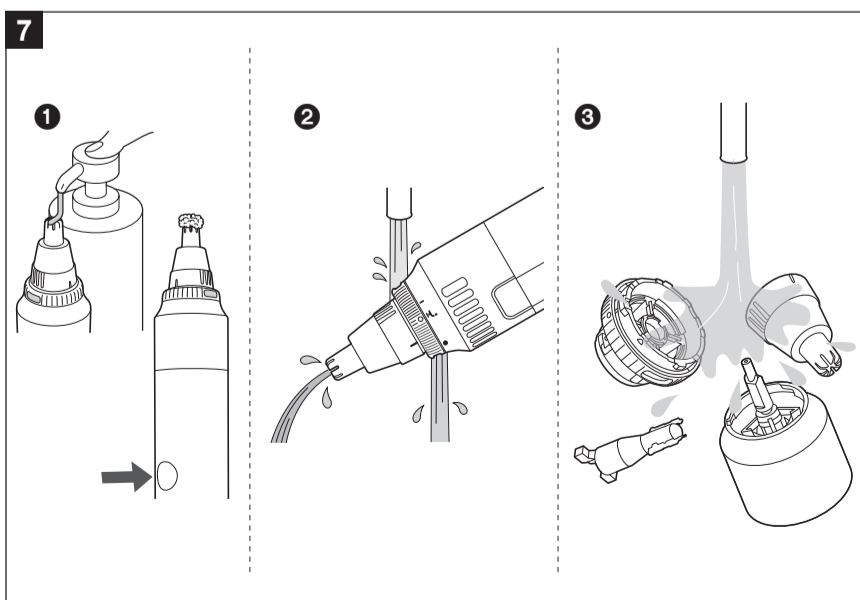
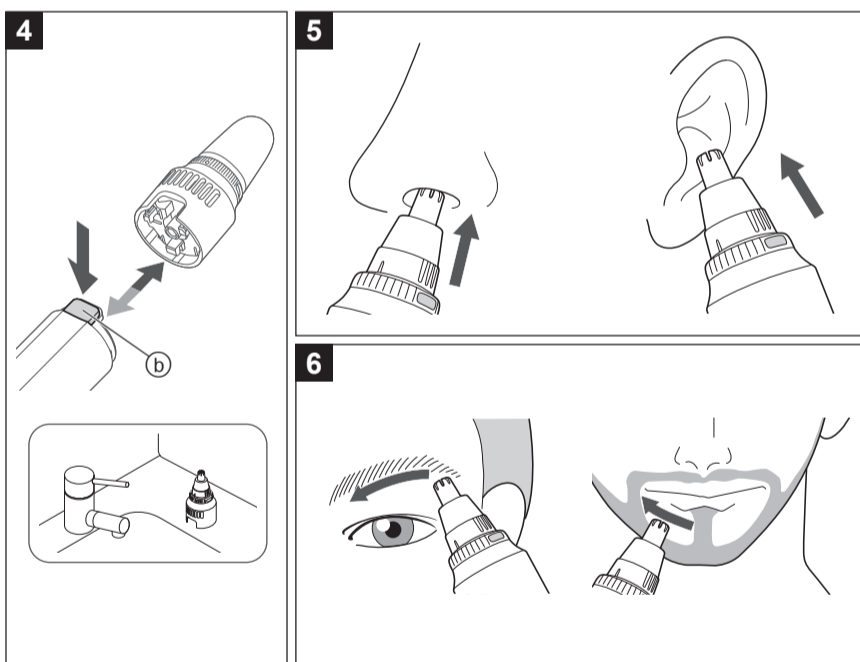
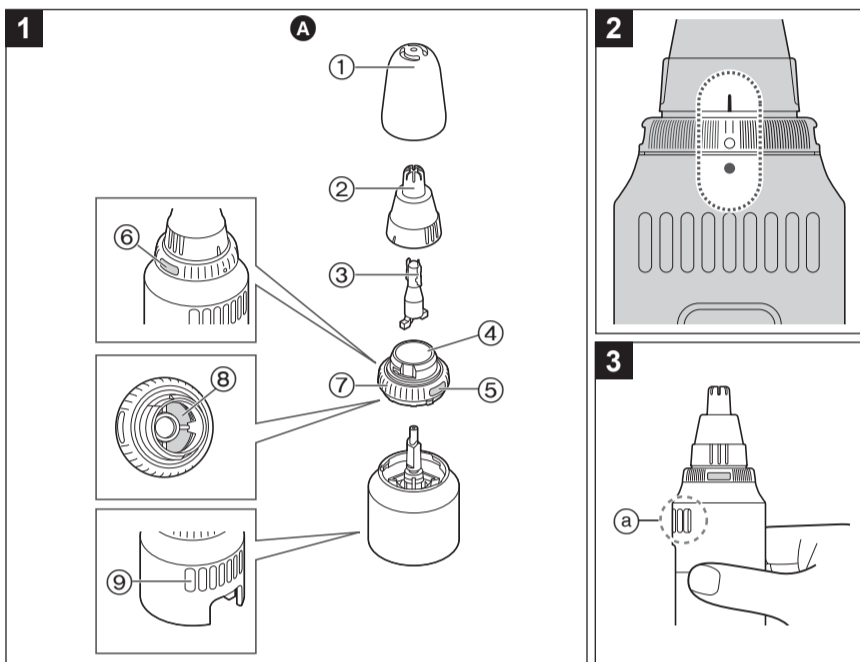
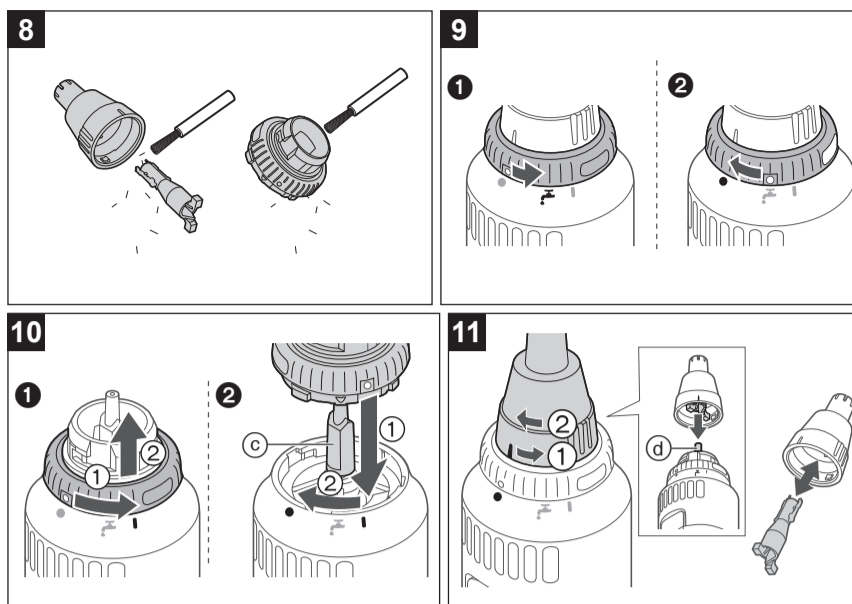
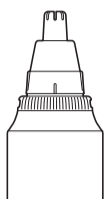


Panasonic

Operating Instructions
(Household use) Nose/Ear/Facial Trimmer Head
Model No. ER-CNT1



Safety precautions

Follow these instructions.

To prevent accidents, injuries or damage to property, please follow the instructions below.

■ The following chart indicates the degree of damage caused by improper operation.

WARNING	Indicates potential hazard that could result in serious injury or death.
CAUTION	Indicates potential hazard that could result in minor injury or property damage.

WARNING

- ▶ Preventing accidents
 - Do not place within reach of children or infants. Do not let them use it.
 - Putting parts or accessories in the mouth may cause an accident or injury.

CAUTION

- ▶ Protecting the skin
 - Do not press the blade firmly against the skin.
 - Do not press the blade with excessive force or insert too deeply into your nostril/ear canal.
 - Do not touch the blade section (metallic section) of the inner blade.
 - Do not use this appliance for any purpose other than to trim nose hair, ear hair, outline eyebrows, moustache or beard.
 - Doing so may cause injury to skin or hand.
- Check the blades are not damaged or deformed before use.
 - Failure to do so may cause injury to the skin.
- ▶ Note the following precautions
 - Do not share with your family or other people.
 - Doing so may result in infection or inflammation.

Important information

- Note the following precautions to avoid malfunction or deformation.
 - Do not bring the blade into contact with hard objects.
 - Do not drop or hit against other objects.
 - Be sure to place the protective cap on the head when carrying around or storing.

Parts identification (Fig. 1)

- A Head**
- ① Protective cap
 - ② Outer blade
 - ③ Inner blade
 - ④ Trimmings box
 - ⑤ Water inlet
 - ⑥ Water outlet
 - ⑦ Wash switch ring
 - ⑧ Filter
 - ⑨ Exhaust hole

Before use (Fig. 2)

Be sure to close the water inlet of the wash switch ring during use. Otherwise, the main body cannot provide sufficient suction power.

→ Check that the marks of "□", "○" and "●" align.

How to use

- Clean the appliance after use.
- 1 Mount the head to the main body until it clicks.**
- 2 Remove the protective cap and hold the main body so as not to block the exhaust hole (a).** (Fig. 3)
- 3 Turn on the power before putting the head in your nostril.**
 - Cut hairs using the tip of the outer blade (metallic part).
 - The outer blade surface may get a little warm during use, but performance will not be diminished.

Note

- The use time after a full charge is as follows.
 - ER-CBL1: 80 minutes
 - ER-CBN1: 60 minutes
 (Based on dry using at 20 °C – 30 °C [68 °F – 86 °F])
 - The operating time may differ depending on the frequency of use and the operating method.

Quick charge (ER-CBL1 only)

Even though the battery runs out, you can use for 5 minutes after 3-minute charge. (This will differ depending on usage.)

Removing and mounting the head (Fig. 4)

- Make sure that the main body is turned off.
- ▶ Remove
 - Remove the head while pushing the head release button (b).
 - Stand the head when it is removed.
- ▶ Mount
 - Mount the head to the main body until it clicks.

Trimming your nose hair and ear hair (Fig. 5)

- 1 Insert the tip of the outer blade into your nostril or ear canal.**
 - Insert it slowly so as not to injure your nostril or ear canal.
- 2 Cut the nose hair and ear hair by moving the main body.**
 - Some trimmings may remain inside your nostril or ear canal after cutting, so remove them using a tissue or similar.

Outlining your eyebrows, moustache, or beard (Fig. 6)

- 1 Apply the tip of the outer blade to the hair (eyebrow, moustache or beard) you would like to cut.
- 2 Cut the hair by moving the appliance slowly against the direction of hair growth.
 - You cannot trim the hair to length with this head.
 - It is not suitable for the hair below 0.5 mm (1/64").

Maintenance

- Make sure that the main body is turned off.
- After cleaning, be sure to store with the blades, the trimmings box and the protective cap attached.

How to clean

► With water

1. Apply some hand soap and some water to the outer blade.
2. Turn on the power and turn off the power after 10 seconds. (Fig. 7-1)

To remove light dirt

3. Open the water inlet and turn on the power again.
 - If the trimmings box is removed, open the water inlet after attaching the trimmings box.
4. Run water down the water inlet, rinse well and turn off. (Fig. 7-2)

To remove heavy dirt

3. Remove the head, the blades and the trimmings box.
4. Rinse them with running water.
 - Cover the drainage outlet of washbasin to prevent the inner blade from flowing away. (Fig. 7-3)

5. Wipe off the water with a dry cloth and dry it well.
 - It will dry faster with the blades and the trimmings box removed.

Notes

- Note the following precautions to avoid malfunction and damage.
 - Do not use hot water or any detergents other than hand soap.
 - Do not wipe with thinner, benzene, alcohol etc.

► With the cleaning brush (Fig. 8)

1. Remove the head, blades and the trimming box.
2. Brush off any hair trimmings from the head, blades and the trimming box.
 - Be careful not to deform the inner blade.
 - Be careful not to damage the filter.

How to open and close the water inlet

► Open

Rotate the wash switch ring until its "○" mark aligns with the "⚡" mark of the head to open the water inlet. (Fig. 9-1)

► Close

Rotate the wash switch ring until its "○" mark aligns with the "●" mark of head. (Fig. 9-2)

Removing and mounting the trimmings box

► Remove (Fig. 10-1)

Rotate the wash switch ring until its "○" mark aligns with the "I" mark of the head.

► Mount (Fig. 10-2)

1. Align the "○" mark of the trimmings box with the "I" mark of the head.
 - Be careful not to damage the filter with the shaft (⊙).
2. Rotate the wash switch ring until its "○" mark aligns with the "●" mark of the head.

Removing and mounting the blade (Fig. 11)

► Outer blade

Remove

Rotate the outer blade in the direction of the arrow and remove the blade. (1)

Mount

Insert the head's shaft (⊙) into the hole of the inner blade.

Rotate the outer blade to align its "I" mark with the "●" mark of the head. (2)

► Inner blade

Remove

Pull to remove the inner blade.

Mount

Insert the inner blade straight into the outer blade.

Troubleshooting

Problem	Action
The cutting performance has reduced.	► Replace the blade.
There is an odd odour.	► Clean the inner blade.
Blade does not move/rotate smoothly.	
The suction power is low.	► Clean the trimmings box.
	► Close the water inlet.

If the problems still cannot be resolved, contact your dealer or a service center authorized by Panasonic for repair.

Personal Care & Beauty Care Products

FOR USA ONLY

30-Day Quality Satisfaction Guarantee

If you are dissatisfied with any Panasonic Personal Care & Beauty Care Products for any reason, simply return it to the place of purchase with a dated proof of purchase, in the original packaging, with all accessories, parts and instructions, within 30 days of the date of purchase, for a full refund, or call Panasonic at 1-800-338-0552. Abuse or misapplication of this product voids the guarantee.

PRODUCT REGISTRATION

(U.S. customers only)

Go to www.panasonic.com/register and register your product now to receive these benefits:

Safety Notification

We contact our customers in case of recall

Owner Verification

Proof of purchase in case of product theft or loss

Efficient Warranty Service

In case there is a problem with your product

Special Offers and Promotions from Panasonic

FOR YOUR CONVENIENCE, WE HAVE ESTABLISHED A TOLL-FREE (IN USA ONLY) NATIONAL ACCESSORY PURCHASE HOTLINE AT 1-800-332-5368.

IN USA CONTACT:
Panasonic Corporation of North America
Two Riverfront Plaza, Newark, NJ 07102-5490

Service • Assistance • Accessories

Call 1-800-338-0552 (In USA)
<https://shop.panasonic.com/personal-care>
<https://shop.panasonic.com/support>
<https://www.panasonic.com>

© Panasonic Corporation 2022

Printed in Thailand
ER971WCNT11X
F0222-0

Ⓜ EN