

# Panasonic®

Operating Instructions  
Manuel d'utilisation  
Manual De Operación

(Household) Rechargeable Beard/Hair Trimmer  
(Utilisation domestique) Tondeuse à barbe/cheveux rechargeable  
(Uso doméstico) Recortadora de cabello/barba recargable

Model No. ER-GB40  
N° de modèle ER-GB40  
Modelo No. ER-GB40

---

---

<b>English</b>	<b>2</b>
<b>Français</b>	<b>11</b>
<b>Español</b>	<b>21</b>



Before operating this unit, please read these instructions completely and save them for future use.  
Avant d'utiliser ce produit, veuillez lire attentivement les instructions et conserver ce manuel pour un usage futur.  
Antes de utilizar este producto, lea las instrucciones detenidamente y guarde este manual para uso futuro.

# IMPORTANT SAFETY INSTRUCTIONS

When using an electrical appliance, basic precautions should always be followed, including the following:

Read all instructions before using this appliance.

## **DANGER** To reduce the risk of electric shock:

1. Do not reach for an appliance that has fallen into water. Unplug immediately.
2. Charger unit is not for immersion or for use in shower.
3. Do not place or store appliance where it can fall or be pulled into a tub or sink. Do not place in or drop into water or other liquid.
4. Except when charging, always unplug this appliance from the electrical outlet immediately after using.
5. Unplug this appliance before cleaning.
6. Do not use an extension cord with this appliance.

## **WARNING** To reduce the risk of burns, fire, electric shock, or injury to persons:

1. Close supervision is necessary when this appliance is used by, on, or near children or invalids.

2. Use this appliance only for its intended use as described in this manual. Do not use attachments not recommended by the manufacturer.
3. Never operate this appliance if it has a damaged cord or plug, if it is not working properly, if it has been dropped or damaged, or dropped into water. Return the appliance to a service center for examination and repair.
4. Keep the cord away from heated surfaces.
5. Never drop or insert any object into any opening.
6. Do not use outdoors or operate where aerosol (spray) products are being used or where oxygen is being administered.
7. Do not use this appliance with a damaged or broken comb, as it has the potential to result in facial injury.
8. Always attach plug to appliance first, then to outlet. To disconnect, turn all controls to "off" then remove plug from outlet.

## **SAVE THESE INSTRUCTIONS**

**Thank you for choosing a Panasonic trimmer. Please read all instructions before use.**

## Important

This trimmer has a built-in rechargeable battery. Do not throw into fire, apply heat, or charge, use, or leave in a high temperature environment.

### ► Before use

This WET/DRY trimmer can be used for wet trimming or for dry trimming. You can use this watertight trimmer in the shower and clean with water. The following symbol means suitable for use in a bath or shower.



### ► Using the trimmer

- Check that the blades are not damaged or deformed before use.
- Terminate usage when there is an abnormality or failure.
- Turn off the appliance before changing the trimming length or removing the comb attachment.
- Before and after each use, apply oil at the places marked with arrows. (See page 9.)
- The appliance should not be used on animals.
- Do not press the blade against the skin.
- Do not use the trimmer for any purpose other than trimming.

- This appliance is not intended for use by persons (including children) with reduced physical, sensory or mental capabilities, or lack of experience and knowledge, unless they have been given supervision or instruction concerning use of the appliance by a person responsible for their safety. Children should be supervised to ensure that they do not play with the appliance.

### ► Charging the trimmer

- Never use the AC adaptor in the bathroom or shower room.
- Use the dedicated AC adaptor (RE7-70) only. Do not use the dedicated AC adaptor to charge other appliances.
- Charge the appliance in a location where it will not be exposed to direct sunlight or other heat sources, at temperatures of 0 °C (32 °F) to 35 °C (95 °F).
- Plug in the AC adaptor into a household outlet where there is no moisture and handle it with dry hands.
- The trimmer may become warm during use and charging. However, this is not a malfunction.
- Hold the plug when disconnecting it from the household outlet. If you tug on the power cord, you may damage it.
- Do not use the trimmer if the power cord or the AC adaptor is worn, or if the plug does not fit snugly in the outlet.
- Do not damage or deform the power cord. Do not place heavy objects on the power cord or trap it between objects.
- The supply cord cannot be replaced. If the cord is damaged, the AC adaptor should be scrapped.

### ► Cleaning the trimmer

#### Warning

**Disconnect the AC adaptor from the household outlet before cleaning to prevent electric shock.**

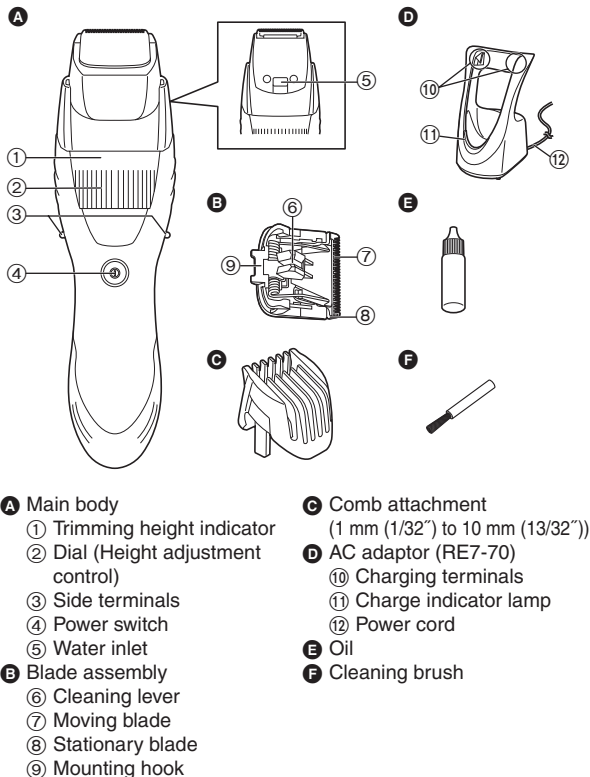
- The trimmer housing should not be taken apart as this can affect the watertight construction of the appliance.
- If you clean the trimmer with water, do not use salt water or hot water. Do not soak the trimmer in water for a long period of time.

- Clean the housing only with a soft cloth slightly dampened with tap water or soapy tap water. Do not use thinner, benzene, alcohol or other chemicals.
- Do not wash the AC adaptor with water.
- Clean the power plug regularly to remove any dust or dirt.

#### ▶ Storing the trimmer

- Store the trimmer in a place with low humidity after use.
- Do not store the trimmer where it will be exposed to direct sunlight or other heat sources.
- Remove the trimmer from the AC adaptor when storing it.
- Do not bend the power cord or wrap it around the AC adaptor.
- Store the AC adaptor in a dry area where it is protected from damage.
- Keep the oil away from children.

## Parts identification



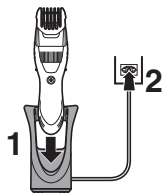
# Charge

## Charging the trimmer

Perform the following steps to charge the trimmer if it seems to lose speed.

### 1 Turn off the trimmer and insert it in the AC adaptor until it clicks as illustrated.

- The trimmer will not charge unless the side terminals are in contact with the charging terminals.
- Wipe off any water droplets on the side terminals.
- If you charge the trimmer with power switch turned on, it will start working when you remove from the AC adaptor.



### 2 Put the plug into a household outlet.

- The charge indicator lamp glows red.
- Charging is completed after approx. 15 hours.
  - When charging the trimmer for the first time or when it has not been in use for more than 6 months, the charge indicator lamp may not glow for a few minutes, or the operating time may shorten. Please charge it for more than 23 hours in such cases.

### 3 Disconnect the plug after charging is completed.

- To keep charging the battery will not affect battery performance.
- Recommended ambient temperature for charging is 0 - 35 °C (32 - 95 °F). The battery may not charge properly or not at all under extreme low or high temperatures.
- The charge indicator lamp glows and stays on until the plug is disconnected from a household outlet.
- A full charge supplies enough power for approximately 50 minutes of use.

#### Note:

You cannot operate the trimmer while charging.

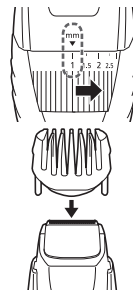
## Use

### Using the comb attachment

Make sure that the trimmer is turned off.

### 1 Turn the dial to the "1" position.

### 2 Mount the comb attachment to the main body until it clicks.



### 3 Turn the dial to move the comb attachment to the desired trimming length (between 1 mm (1/32") to 10 mm (13/32")).

Trimming length (estimate)	mm	1	1.5	2	2.5	3	3.5	4	4.5	5	5.5
	inch	1/32	1/16	5/64	3/32	1/8	9/64	5/32	11/64	3/16	7/32
Indicator		1	1.5	2	2.5	3	3.5	4	4.5	5	5.5

Trimming length (estimate)	mm	6	6.5	7	7.5	8	8.5	9	9.5	10
	inch	15/64	1/4	9/32	19/64	5/16	11/32	23/64	3/8	13/32
Indicator		6	6.5	7	7.5	8	8.5	9	9.5	10

- Actual hair length will be a little longer than the height you set.

## Use

### Using the trimmer

Make sure there is no damage to the blade.  
We recommend using the trimmer in an ambient temperature range of 0 - 35 °C (32 - 95 °F). If used outside this range, the appliance may stop operating.

#### Dry trimming

##### ▶ Trimming with the comb attachment

Do not use with shaving creams applied or when the beard is wet.

- 1** Press the power switch to turn off the trimmer.
- 2** Mount the attachment and adjust the dial.  
(See page 5.)
- 3** Press the power switch to turn on the trimmer.
- 4** Hold the trimmer with the power switch facing downward, and cut the beard by moving the trimmer back against the flow of the beard.



- Hair trimmings may collect inside the attachment when a large volume of beard is cut, so discard hair trimmings after each use.

##### ▶ Trimming without the comb attachment

#### Shaping your moustache

##### ■ Above the lips

Place the trimmer at a right angle to your skin with the power switch facing upwards and trim around your moustache.



To round out the shape, trim around your moustache by holding the main body sideways.



##### ■ Trimming the edge of beard

Cut your beard gradually with the power switch facing your skin, taking care not to cut too much.



#### Shaping your sideburns

Place the trimmer at a right angle to your skin and cut your sideburns.



**Shaping the hair around your ears**

Trim the hair around your ears by holding the main body sideways.

**Cutting your vellus hair**

Cut your vellus hair slowly, moving upward from the bottom with the power switch facing your skin.

**3 Press the power switch to turn on the trimmer.****4 Cut your beard slowly, moving upward from the bottom with the power switch facing your skin.**

- Trimming your beard or moustache without an attachment will trim hair length to approx. 0.5 mm (1/64").

**Wet trimming****► Trimming without the comb attachment**

Cut your beard or vellus hair with water or face-wash cleanser on your face.

Wet trimming will decrease the friction, allowing a smooth touch. Wet trimming is recommended to trim a fuller beard to a length of 0.5 mm (1/64") without an attachment.

- 1 Remove the comb attachment.**
- 2 Apply water, soap, etc., to your face.**

**Notes**

- Do not use any shaving creams as these may cause a decrease in cutting performance due to scoring of the blades.
- Make sure to rinse the main body with water and apply the oil to the blades after wet trimming.

# Clean

## Cleaning the trimmer

It is recommended to clean at every use.

1. Remove the trimmer from the AC adaptor.

### To remove light dirt

2. Remove the comb attachment and turn the trimmer on.
3. Run water down the water inlet at the back of the main body, rinse thoroughly for approximately 20 seconds, and then turn the trimmer off.



- Rinse with water and shake up and down several times to remove the water.

### To remove heavy dirt

2. Remove the comb attachment and blade assembly.
3. Clean the trimmer and the blade assembly with running water.



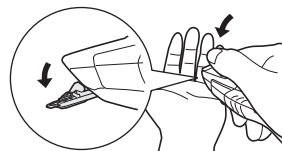
- Rinse with water and shake up and down several times to remove the water.

4. Wipe off the water with a towel and let it dry naturally.
  - It will dry faster with the blade removed.
5. Apply the oil to the blade after drying.
6. Attach the comb attachment and blade assembly to the trimmer.



## Cleaning with the brush

1. Remove the trimmer from the AC adaptor.
  - Make sure that the trimmer is turned off.
2. Remove the comb attachment.
3. Hold the main body, place your thumb against the blade assembly and then push it away from the main body.
4. Brush off any hair trimmings from the main body and from around the blade assembly.
5. Brush any hair trimmings out from between the stationary blade and the moving blade while pressing down the cleaning lever to raise the moving blade.
6. Apply the oil to the blade.
7. Attach the comb attachment and blade assembly to the trimmer.

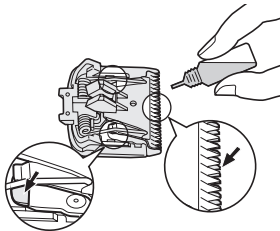




## Lubrication

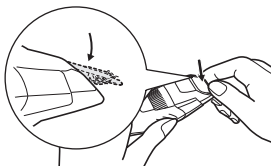
Apply the oil to the blade assembly before and after each use.

Apply a drop of the oil to the points indicated by the arrows.



## Remounting the blade assembly

Fit the mounting hook into the blade mounting on the trimmer and then push in until you hear a click.



## ► Blade life

Blade life varies according to the frequency and length of use of the trimmer.

For example, the blade life is approximately 3 years when using the trimmer for 5 minutes 10 times a month. Replace the blade assembly if cutting efficiency reduces substantially despite proper maintenance.

## ► Battery life

Battery life will vary according to the frequency and length of use. If the battery is charged once every 2 weeks, the service life will be approximately 3 years.

- It is recommended that the trimmer be recharged at least every 6 months even when not in regular use because the charge will drain from the battery and its service life may be shortened.

## Removing the built-in rechargeable battery

### ATTENTION:

A nickel metal hydride battery that is recyclable powers the product you have purchased. Please call 1-800-8-BATTERY for information on how to recycle this battery.

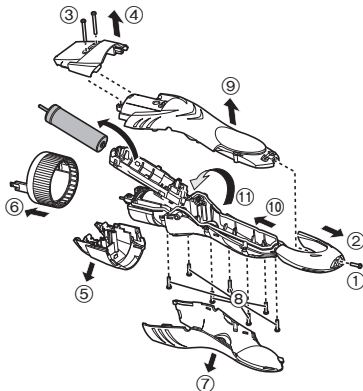


Remove the built-in rechargeable battery before disposing of the trimmer. Do not dismantle or replace the battery so that you can use the trimmer again. This could cause fire or an electric shock. Please contact an authorised service center.

The battery replacing service is available only in the United States of America.

- Remove the trimmer from the AC adaptor when removing the battery.

- Perform steps ① to ⑾ and lift the battery, and then remove it.
- Please take care not to short-circuit the battery.



## Specifications

Power source	See the name plate on the AC adaptor.
Motor voltage	1.2 V $\text{---}$
Charging time	Approx. 15 hours

This product is intended for household use only.

### Federal Communication Commission Interference Statement

This equipment has been tested and found to comply with the limits for a Class B digital device, pursuant to Part 15 of the FCC Rules. These limits are designed to provide reasonable protection against harmful interference in a residential installation. This equipment generates, uses and can radiate radio frequency energy and, if not installed and used in accordance with the instructions, may cause harmful interference to radio communications. However, there is no guarantee that interference will not occur in a particular installation. If this equipment does cause harmful interference to radio or television reception, which can be determined by turning the equipment off and on, the user is encouraged to try to correct the interference by one of the following measures:

- Reorient or relocate the receiving antenna.
- Increase the separation between the equipment and receiver.
- Connect the equipment into an outlet on a circuit different from that to which the receiver is connected.
- Consult the dealer or an experienced radio/TV technician for help.

FCC Caution: To assure continued compliance, install and use in accordance with provided instructions. Any changes or modifications not expressly approved by the party responsible for compliance could void the user's authority to operate this equipment.

This device complies with part 15 of the FCC Rules. Operation is subject to the following two conditions: (1) This device may not cause harmful interference, and (2) this device must accept any interference received, including interference that may cause undesired operation.

**FOR YOUR CONVENIENCE, WE HAVE ESTABLISHED A TOLL-FREE (IN USA ONLY) NATIONAL ACCESSORY PURCHASE HOT LINE AT 1-800-332-5368. IN CANADA, CONTACT PANASONIC CANADA INC. AT THE ADDRESS OR TELEPHONE NUMBER ON THE BACK PAGE.**

# CONSIGNES DE SÉCURITÉ IMPORTANTES

Lors de l'utilisation d'un appareil électrique, il faut toujours prendre des précautions de base, y compris les suivantes:

Lisez toutes les instructions avant d'utiliser cet appareil.

## **DANGER** Afin de réduire tout risque d'électrocution:

1. Ne touchez pas un appareil qui est tombé dans l'eau. Débranchez-le immédiatement.
2. N'immergez ni n'utilisez le chargeur dans la douche.
3. Ne placez ni ne rangez l'appareil là où il peut tomber ou être précipité dans une baignoire ou un évier. Ne déposez ou n'échappez pas dans l'eau ou dans un autre liquide.
4. Débranchez toujours cet appareil de la prise électrique immédiatement après usage, excepté pendant la charge.
5. Débranchez cet appareil avant de le nettoyer.
6. N'employez pas de rallonge avec cet appareil.

## **MISES EN GARDE** Afin de réduire le risque de brûlures, d'incendie, d'électrocution ou de blessures corporelles:

1. Une grande vigilance est nécessaire lorsque cet appareil est utilisé par des enfants ou des personnes handicapées, sur eux ou en leur présence.

2. Utilisez cet appareil uniquement pour son usage prévu, comme le décrit le présent manuel. N'utilisez pas d'accessoires qui ne sont pas recommandés par le fabricant.
3. N'utilisez jamais cet appareil si le cordon ou la fiche est endommagé, s'il ne fonctionne pas correctement, s'il est tombé, endommagé ou tombé dans l'eau. Retournez l'appareil à un centre de réparation pour le faire inspecter et réparer.
4. Gardez le cordon à distance des surfaces chauffées.
5. Ne faites jamais tomber ou n'insérez pas un objet dans les ouvertures de l'appareil.
6. N'utilisez pas à l'extérieur, dans des endroits où des aérosols (pulvérisateurs) sont utilisés ou là où de l'oxygène est administré.
7. N'utilisez pas ce rasoir avec un peigne endommagé ou cassé, car il pourrait provoquer des blessures au visage.
8. Branchez toujours la fiche à l'appareil en premier, puis pour débrancher, commutez toutes les commandes sur "arrêt".

## **CONSERVEZ LES PRÉSENTES INSTRUCTIONS**

**Merci d'avoir choisi une tondeuse Panasonic. Veuillez lire toutes les instructions avant de l'utiliser.**

## Important

Cette tondeuse est équipée d'une batterie rechargeable intégrée. Ne pas jeter au feu, chauffer, ou charger, utiliser, ou laisser dans un endroit où la température ambiante est élevée.

### ► Avant l'utilisation

Cette tondeuse HUMIDE/À SEC peut être utilisée pour une coupe humide ou à sec. Vous pouvez utiliser cette tondeuse étanche sous la douche et la rincer sous l'eau. Le symbole suivant indique qu'elle peut être utilisée sous la douche ou dans le bain.



### ► Utilisation de la tondeuse

- Vérifiez que la lame n'est pas endommagée ni déformée avant utilisation.
- Cessez l'utilisation s'il y a une anomalie ou une panne.
- Éteignez l'appareil avant de changer la longueur de coupe ou pour retirer la fixation du peigne.
- Avant et après chaque utilisation, appliquez de l'huile aux endroits indiqués par des flèches. (Voir page 18.)
- L'appareil ne doit pas être utilisé sur des animaux.
- N'appuyez pas la lame contre la peau.
- Ne utilisez pas la tondeuse dans un but autre que pour la coupe.

- Cet appareil n'a pas été conçu pour être utilisé par des personnes (enfants y compris) souffrant d'un handicap physique, sensoriel ou mental, ou ne disposant pas de l'expérience et des connaissances nécessaires à une utilisation sûre, à moins qu'elles aient reçu toutes les consignes requises par la personne responsable de leur sécurité quant à l'utilisation de l'appareil. Ne pas laisser un enfant jouer avec la tondeuse.

### ► Recharge de la tondeuse

- N'utilisez jamais l'adaptateur CA dans la salle de bain ou sous la douche.
- Utilisez uniquement l'adaptateur CA dédié (RE7-70). N'utilisez pas l'adaptateur CA dédié pour charger d'autres appareils.
- Ne chargez pas l'appareil dans un endroit exposé à la lumière directe du soleil ou d'une source de chaleur, à des températures comprises entre 0 °C (32 °F) et 35 °C (95 °F).
- Branchez l'adaptateur CA sur une prise secteur ne présentant pas d'humidité et manipulez-le avec des mains sèches.
- La tondeuse peut chauffer en cours de fonctionnement et de chargement. Il ne s'agit toutefois pas d'une anomalie.
- Tenez la fiche lorsque vous la débranchez de la prise secteur. Si vous tirez sur le cordon d'alimentation, vous risquez de l'endommager.
- N'utilisez pas la tondeuse si le cordon d'alimentation ou l'adaptateur CA est usé ou si la fiche ne s'adapte pas parfaitement dans la prise.
- N'endommagez pas ni déformez le cordon d'alimentation. Ne pas placer d'objets lourds sur le cordon d'alimentation ni le coincer entre des objets.
- Le cordon d'alimentation ne peut pas être remplacé. S'il est endommagé, l'adaptateur CA doit être mis au rebut.

## ► Nettoyage de la tondeuse

### Attention

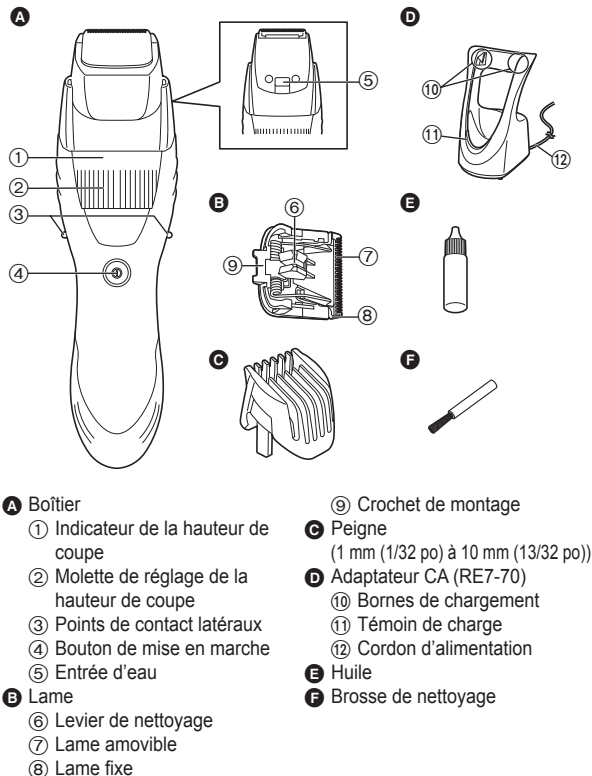
Débranchez la fiche de la prise secteur avant le nettoyage pour éviter tout choc électrique.

- L'appareil ne doit jamais être démonté car cela affecterait l'étanchéité de la construction de l'appareil.
- En cas de nettoyage à l'eau, ne pas utiliser d'eau salée ou d'eau chaude. Ne pas immerger la tondeuse pendant une période prolongée.
- Nettoyez le boîtier uniquement avec un tissu imbibé d'eau courante ou d'eau courante savonneuse. Ne pas utiliser de solvant, d'essence, d'alcool ou d'autres produits chimiques.
- N'utilisez pas d'eau pour laver l'adaptateur CA.
- Nettoyez régulièrement la prise de courant pour retirer la poussière ou la saleté.

## ► Rangement de la tondeuse

- Après utilisation, rangez la tondeuse dans un endroit sec.
- Ne rangez pas l'appareil dans un endroit exposé à la lumière directe du soleil ou près d'autres sources de chaleur.
- Enlevez la tondeuse de l'adaptateur CA lors du rangement.
- Ne pliez pas le cordon d'alimentation et ne l'enroulez pas autour de l'adaptateur CA.
- Rangez l'adaptateur secteur dans un endroit sec où il est protégé de tout dommage.
- Tenez l'huile hors de portée des enfants.

## Identification des pièces



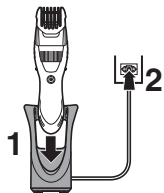
# Chargement

## Recharge de la tondeuse

Suivez les étapes suivantes pour charger la tondeuse si elle semble perdre de la vitesse.

### 1 Mettez la tondeuse hors marche et placez-la sur l'adaptateur CA de la façon indiquée et jusqu'à ce qu'un clic se fasse entendre.

- La tondeuse ne se chargera pas avant que les points de contact latéraux soient en contact avec les bornes de chargement.
- Essuyez, si nécessaire, toutes gouttes d'eau situées sur les points de contact latéraux.
- Si vous rechargez la tondeuse avec le bouton de mise en marche positionné sur ON, celle-ci va fonctionner de nouveau dès que vous la débranchez de l'adaptateur CA.



### 2 Insérez la fiche dans une prise secteur.

- Le témoin lumineux de charge s'allume en rouge.
- La recharge est terminée après environ 15 heures.
  - Lorsque vous chargez la tondeuse pour la première fois ou si elle n'a pas été utilisée pendant plus de 6 mois, le témoin de charge risque de ne pas s'allumer pendant quelques minutes, et la durée de fonctionnement pourrait être réduite. Veuillez charger la tondeuse pendant plus de 23 heures dans un tel cas.

### 3 Débranchez la fiche une fois la recharge terminée.

- Laisser charger la batterie au-delà du temps de charge indicatif n'affectera pas les performances de celle-ci.
- La température ambiante recommandée pour la charge est de 0 – 35 °C (32 - 95 °F). Les performances de la batterie peuvent se dégrader ou la batterie risque de ne pas se charger en cas de températures extrêmement basses ou élevées.

- Le témoin lumineux de charge s'allume et reste allumé jusqu'à ce que la fiche soit retirée de la prise secteur.
- Une recharge complète fournit assez d'énergie pour environ 50 minutes utilisation.

#### Nota:

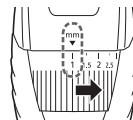
Vous ne pouvez pas utiliser la tondeuse lorsqu'elle est en cours de chargement.

## Utilisation

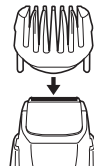
### Utilisation du peigne

Vérifiez que la tondeuse est hors marche.

### 1 Tournez la molette de réglage sur la position « 1 ».



### 2 Montez le peigne sur le boîtier de l'appareil jusqu'à ce qu'un clic se fasse entendre.



### 3 Tournez la molette pour déplacer le peigne jusqu'à la longueur de coupe souhaitée (entre 1 mm (1/32 po) et 10 mm (13/32 po)).

Longueur de taille (estimation)	mm	1	1,5	2	2,5	3	3,5	4	4,5	5	5,5
	po	1/32	1/16	5/64	3/32	1/8	9/64	5/32	11/64	3/16	7/32
Indicateur		1	1.5	2	2.5	3	3.5	4	4.5	5	5.5

Longueur de taille (estimation)	mm	6	6,5	7	7,5	8	8,5	9	9,5	10
	po	15/64	1/4	9/32	19/64	5/16	11/32	23/64	3/8	13/32
Indicateur		6	6.5	7	7.5	8	8.5	9	9.5	10

- La longueur du cheveu sera un peu plus longue que la hauteur sélectionnée.

## Utilisation

### Utilisation de la tondeuse

S'assurer que la lame n'est pas endommagée.

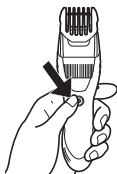
Nous conseillons d'utiliser la tondeuse à une température ambiante comprise entre 0 °C (32 °F) et 35 °C (95 °F). En dehors de cette plage, elle risque de ne plus fonctionner.

### Coupe à sec

#### ► Pour tailler à l'aide du peigne

Ne pas utiliser avec de la mousse à raser ou lorsque la barbe est humide.

- 1** Appuyez sur le bouton de mise en marche pour mettre la tondeuse hors marche.
- 2** Montez l'accessoire et ajuster la molette de réglage. (Voir page 14.)
- 3** Appuyez sur le bouton de mise en marche pour mettre la tondeuse en marche.



- 4** Maintenez la tondeuse avec le bouton de mise en marche face vers le bas, et coupez la barbe en déplaçant la tondeuse à contresens du poil de la barbe.

- Des poils de barbe peuvent s'accumuler à l'intérieur du peigne lorsque qu'une barbe volumineuse est coupée. Éliminez donc tous les poils de barbe du peigne après chaque utilisation.



#### ► Pour tailler sans le peigne

##### Pour modeler votre moustache

###### ■ Au dessus des lèvres

Placez la tondeuse perpendiculairement à votre peau avec le bouton de mise en marche face vers le haut et taillez autour de votre moustache.



Pour arrondir la forme, taillez autour de votre moustache en maintenant perpendiculairement le boîtier de l'appareil.



###### ■ Pour tailler les bords de la barbe

Taillez graduellement votre barbe avec le bouton de mise en marche face à votre peau, en prenant garde de ne pas trop raser.



**Pour modeler vos favoris**

Placez la tondeuse perpendiculairement à votre peau et taillez vos favoris.

**Pour modeler les poils autour des oreilles**

Taillez les poils autour de vos oreilles en maintenant perpendiculairement le boîtier de l'appareil.

**Pour tailler les poils fins**

Taillez lentement les poils fins, en déplaçant l'appareil de bas en haut, avec le bouton de mise en marche face à votre peau.



- Tailler votre barbe ou votre moustache sans accessoire permettra de couper le poil à une longueur d'environ 0,5 mm (1/64 po).

**Rasage avec de l'eau****► Pour tailler sans le peigne**

Taillez votre barbe ou les poils fins sur peau mouillée ou avec un produit nettoyant sur votre visage.

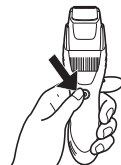
Le rasage avec de l'eau réduit les frottements pour une coupe en douceur.

Le rasage avec de l'eau est recommandé pour couper une barbe complète à une longueur de 0,5 mm (1/64 po) sans accessoire.

**1** Retirez le peigne du boîtier de la tondeuse.

**2** Appliquez de l'eau, du savon, etc. sur votre visage.

**3** Appuyez sur le bouton de mise en marche pour mettre la tondeuse en marche.



**4** Taillez lentement votre barbe, en déplaçant l'appareil de bas en haut, avec le bouton de mise en marche face à votre peau.

**Remarques**

- N'utilisez pas de la mousse à raser, car ceci pourrait diminuer les performances de coupe.
- Veillez à rincer avec de l'eau le boîtier de l'appareil et à appliquer de l'huile sur la lame après un rasage avec de l'eau.



## Entretien

### Nettoyage de la tondeuse

Un nettoyage est recommandé après chaque utilisation de l'appareil.

1. Retirez la tondeuse de l'adaptateur CA.

#### Pour enlever les petites saletés

2. Retirez le peigne et mettez la tondeuse en marche.
3. Faites couler de l'eau par l'entrée d'eau située à l'arrière du boîtier de l'appareil, rincez soigneusement pendant environ 20 secondes, puis mettez la tondeuse hors marche.



- Rincez avec de l'eau et secouez plusieurs fois pour enlever l'eau.

#### Pour les grosses saletés

2. Retirez le peigne et la lame.
3. Nettoyez la tondeuse et la lame à l'eau courante.



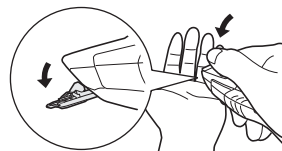
- Rincez avec de l'eau et secouez plusieurs fois pour enlever l'eau.

4. Essuyez l'eau à l'aide d'une serviette, puis laissez sécher naturellement.
  - L'appareil va sécher plus vite si la lame est enlevée.
5. Appliquez quelques gouttes d'huile sur la lame une fois sèche.
6. Fixez le peigne et la lame à la tondeuse.



### Nettoyage avec la brosse

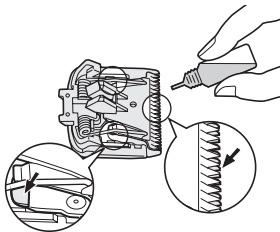
1. Enlevez la tondeuse de l'adaptateur CA.
  - Vérifiez que la tondeuse est hors marche.
2. Retirez la fixation du peigne.
3. Tenez le boîtier, placez votre pouce contre la lame et poussez-la vers l'extérieur par rapport au boîtier.
4. Brossez pour enlever tous les poils du boîtier et des alentours de la lame.
5. Brossez pour enlever tous les poils qui ont été taillés entre la lame fixe et la lame mobile tout en pressant sur le levier de nettoyage pour relever la lame mobile.
6. Appliquez quelques gouttes d'huile sur la lame.
7. Fixez le peigne et la lame sur la tondeuse.



## Lubrification

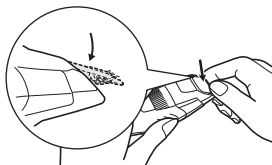
Appliquez quelques gouttes d'huile sur la tondeuse avant et après chaque utilisation.

Appliquez une goutte d'huile sur les points indiqués par les flèches.



### Pour remonter la lame

Fixez le crochet de montage dans le montant de lame sur la tondeuse et poussez-le jusqu'à ce qu'il s'enclenche.



### ► Durée de vie de la lame

La durée de vie de la lame varie selon la fréquence et la durée d'utilisation de la tondeuse.

Par exemple, la durée de la lame est approximativement de 3 ans lorsque la tondeuse est utilisée pendant 5 minutes, 10 fois par mois. Même avec un entretien approprié, remplacez la lame si l'efficacité de la coupe est réduite de façon considérable.

### ► Durée de vie de la batterie

La durée de vie de la batterie varie en fonction de la fréquence et de la durée d'utilisation. Si la batterie est rechargée une fois toutes les 2 semaines, la durée de vie sera d'environ 3 ans.

- Il est recommandé de recharger la tondeuse au moins tous les 6 mois même lorsqu'elle n'est pas utilisée car elle se déchargera et sa durée de vie risque de se trouver réduite.

## Retrait de la batterie rechargeable intégrée

### ATTENTION:

L'appareil que vous vous êtes procuré est alimenté par une pile au nickel-métal-hydrure (NiMH). Pour des renseignements sur le recyclage de la pile, veuillez composer le 1-800-8-BATTERY.



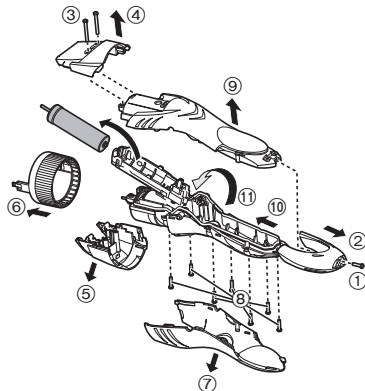
Retirez la batterie rechargeable intégrée avant de jeter la tondeuse. Ne pas démonter ni remplacer la batterie afin de pouvoir réutiliser la tondeuse. Vous risqueriez de provoquer un incendie ou de vous électrocuter.

Veuillez contacter un centre de service après-vente agréé.

Le service de remplacement de batterie n'est disponible qu'aux États-Unis.

- Enlevez la tondeuse de l'adaptateur CA lors du retrait de la batterie.

- Effectuez les étapes de ① à ⑪, surélevez la batterie, et retirez-la.
- Faites très attention à ne pas court-circuiter la batterie.



## Caractéristiques

Source d'alimentation	Voir la plaque signalétique sur l'adaptateur CA.
Tension du moteur	1,2 V---
Temps de chargement	Env. 15 heures

Ce produit est destiné uniquement à l'usage domestique.

## Déclaration sur le brouillage radioélectrique de la Commission fédérale des communications

Le présent équipement a fait l'objet d'essais et a été jugé conforme aux limites pour un dispositif numérique de classe B, en vertu du Chapitre 15 des règlements de la FCC. Ces limites sont conçues pour fournir une protection raisonnable contre les interférences nuisibles lorsque l'appareil fonctionne dans une installation résidentielle. Le présent équipement génère, utilise et peut émettre de l'énergie RF s'il n'est pas installé et utilisé conformément au mode d'emploi, ce qui peut provoquer des interférences nuisibles aux communications radio. Cependant, il n'y a aucune garantie que les interférences ne surviendront pas dans une installation particulière. Si cet équipement émet des interférences nuisibles à la réception de la radio ou de la télévision, ce qui peut être déterminé lors de la mise en marche puis hors marche de l'équipement, l'utilisateur doit corriger ces interférences en prenant l'une des mesures suivantes:

- Réorienter ou déplacer l'antenne réceptrice.
- Augmenter la distance entre l'équipement et le récepteur.
- Connecter l'équipement à la prise d'un circuit différent de celui sur lequel le récepteur est connecté.
- Consulter le détaillant ou un technicien spécialisé en radio/TV pour obtenir de l'aide.

Avertissement de la FCC: Pour assurer une conformité continue, installer et utiliser conformément aux consignes fournies. Quelque changement ou modification non expressément approuvé(e) par la partie responsable de la conformité pourrait annuler l'autorité de l'utilisateur à faire fonctionner le présent équipement.

Cet appareil est conforme à la partie 15 des règlements de la FCC. L'utilisation est soumise aux deux conditions suivantes: (1) Cet appareil ne doit pas provoquer d'interférences nuisibles et (2), cet appareil doit supporter toute interférence reçue, y compris les interférences pouvant provoquer un fonctionnement indésirable.

**POUR PLUS DE RENSEIGNEMENTS, COMMUNIQUEZ AVEC  
PANASONIC CANADA INC. À L'ADRESSE OU AU NUMÉRO DE  
TÉLÉPHONE INDIQUÉS À L'ENDOS DU MANUEL.  
POUR LE CANADA, CONTACTER L'UNE DES SUCCURSALES DE  
VENTE INDIQUÉES AU DOS.**

## INSTRUCCIONES DE SEGURIDAD IMPORTANTES

Al utilizar un dispositivo eléctrico, deben seguirse siempre unas precauciones básicas que incluyen las siguientes:

Lea todas las instrucciones antes de utilizar este dispositivo.

### **PELIGRO** Para reducir el riesgo de descargas eléctricas:

1. No intente alcanzar un dispositivo que se haya caído al agua. Desenchúfelo inmediatamente.
2. El cargador no debe sumergirse ni utilizarse en la ducha.
3. No coloque ni guarde el dispositivo donde pueda caerse en una bañera. No lo coloque ni lo deje caer en agua o algún otro líquido.
4. Excepto cuando lo esté cargando, desenchufe siempre este aparato de la toma eléctrica tras utilizarlo.
5. Desenchufe este dispositivo antes de limpiarlo.
6. No utilice un alargador con este dispositivo.

### **ADVERTENCIA** Para reducir el riesgo de quemaduras, fuego, descargas eléctricas o daños personales:

1. Es necesaria una supervisión cercana cuando el dispositivo sea utilizado por o cerca de niños o minusválidos.

2. Utilice este dispositivo solamente para el uso para el que se ha diseñado como se describe en este manual. No utilice ningún accesorio no recomendado por el fabricante.
3. Nunca utilice el dispositivo si tiene el cordón o el enchufe dañado, si no funciona correctamente, o si se ha caído, dañado o mojado. Devuelva el dispositivo a un centro de servicio para examinarlo y repararlo.
4. Mantenga el cable alejado de las superficies calientes.
5. Nunca deje caer ni introduzca ningún objeto por cualquier abertura.
6. No utilice la afeitadora en exteriores o donde se estén utilizando aerosoles (spray) o donde se esté administrando oxígeno.
7. No utilice este dispositivo si el peine está dañado o roto, ya que podría causarle heridas en la cara.
8. Conecte siempre el enchufe al dispositivo y, a continuación, a la toma de corriente. Para desconectarlo, coloque todos los controles en la posición "apagado" y, a continuación, retire el enchufe de la toma de corriente.

## GUARDE ESTAS INSTRUCCIONES

**Gracias por elegir un recortador Panasonic. Lea completamente las instrucciones antes de utilizarlo.**

## Importante

Este recortador tiene una batería recargable incorporada. No la arroje al fuego ni aplique calor. Tampoco la utilice, cargue o deje en un entorno de alta temperatura.

### ► Antes del uso

Este recortador WET/DRY se puede utilizar para recortar el pelo en mojado o en seco. Puede utilizar este recortador estando en la ducha y limpiarlo con agua. El símbolo siguiente significa que es adecuado para el uso en una bañera o ducha.



### ► Utilización del recortador

- Antes de utilizar el aparato, compruebe que las cuchillas no estén ni dañadas ni deformadas.
- Si funciona incorrectamente o falla, deje de utilizarla.
- Apague el aparato antes de cambiar la longitud de corte o quitar el accesorio de peinado.
- Antes y después de cada uso, aplique aceite en todas las partes marcadas con flechas. (consulte la página 28.)
- El aparato no se debe utilizar en animales.
- No empuje la cuchilla contra la piel.
- No utilice el recortador para otro fin que no sea el corte de pelos.
- Este aparato no debe ser utilizado por personas (incluyendo niños) con capacidades físicas, sensoriales o mentales reducidas, o con falta de conocimiento y experiencia, a menos que se encuentren bajo supervisión o bajo instrucciones sobre el uso del aparato de una persona responsable de la seguridad. Se debe supervisar a los niños para asegurarse de que no jueguen con el aparato.

### ► Carga de el recortador

- Nunca utilice el adaptador de CA en el cuarto de baño.
- Utilice únicamente el adaptador de CA (RE7-70). No utilice este adaptador de CA para cargar otros electrodomésticos.
- Cargue el aparato en un lugar en el que no esté expuesto a la luz solar directa ni a otras fuentes de calor, a temperaturas entre 0 °C (32 °F) y 35 °C (95 °F).
- Enchufe el adaptador de CA en una toma de corriente doméstica donde no haya humedad y manéjelo con las manos secas.
- El recortador puede calentarse durante el uso y la carga. No se trata de un fallo.
- Sujete el enchufe cuando lo desconecte de la toma de corriente doméstica. Si tira del cable de alimentación, puede dañarlo.
- No utilice el recortador si el cable de alimentación o el adaptador de CA están desgastados, o si el enchufe no encaja bien en la toma de corriente.
- No dañe ni deforme el cable de alimentación. No coloque objetos pesados en el cable de alimentación ni lo coloque entre objetos.
- El cable de alimentación no puede sustituirse. Si el cable de alimentación presenta daños, debe desecharse el adaptador de CA.

### ► Limpieza del recortador

#### Advertencia

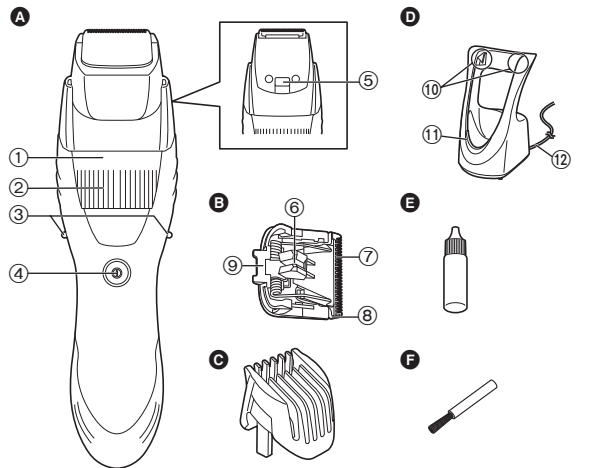
**Para evitar una descarga eléctrica, desconecte el enchufe de la toma de corriente antes de limpiar el aparato.**

- No se debe abrir la carcasa ya que se podría afectar la construcción estanca al agua del aparato.
- Si limpia el recortador con agua, no utilice agua salada ni agua caliente. No sumerja el recortador en agua durante un período de tiempo prolongado.
- Limpie la carcasa sólo con un paño suave ligeramente humedecido con agua corriente o con agua corriente y jabón. No utilice disolvente, bencina, alcohol ni otros productos químicos.
- No lave el adaptador de CA con agua.
- Limpie el enchufe de forma regular para quitar el polvo y la suciedad.

### ► Almacenamiento del recortador

- Guarde el recortador en un lugar poco húmedo después de utilizarlo.
- No guarde el recortador en un lugar en el que esté expuesto a la luz solar directa o a otras fuentes de calor.
- Retire el recortador del adaptador de CA cuando lo guarde.
- No doble el cable de alimentación ni lo enrolle alrededor del adaptador de CA.
- Almacene el adaptador de CA en un área seca donde no pueda ser dañado.
- Mantenga el aceite fuera del alcance de los niños.

### Identificación de las partes



#### **A** Cuerpo principal

- ① Indicador de altura de corte
- ② Disco selector (Control de ajuste de altura)
- ③ Terminales laterales
- ④ Interruptor de encendido
- ⑤ Entrada de agua

#### **B** Bloqueo de cuchilla

- ⑥ Palanca de limpieza
- ⑦ Cuchilla móvil
- ⑧ Cuchilla estacionaria
- ⑨ Gancho de montaje

#### **C** Peine

(de 1 mm (1/32") a 10 mm (13/32"))

#### **D** Adaptador de CA (RE7-70)

- ⑩ Terminales de carga
- ⑪ Lámpara indicadora de carga
- ⑫ Cable de alimentación

#### **E** Aceite

#### **F** Cepillo de limpieza

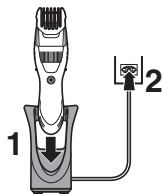
## Carga

### Carga de el recortador

Siga los siguientes pasos para cargar el recortador si parece perder la velocidad.

#### 1 Apague el recortador e insértelo en el adaptador de CA hasta que se oiga un clic, según se muestra en la ilustración.

- El recortador no se cargará a menos que los terminales laterales estén en contacto con los terminales de carga.
- Limpie con un paño las gotas de agua de los terminales laterales.
- Si carga el recortador con el interruptor de encendido activado, este empezará a funcionar cuando lo retire del adaptador de CA.



#### 2 Inserte el enchufe en la toma de corriente.

La luz indicadora de carga se iluminará en rojo.

- La carga estará completa tras aproximadamente 15 horas.
- Cuando cargue el recortador por primera vez o cuando no lo haya utilizado durante más de 6 meses, la lámpara indicadora de carga podría no iluminarse durante unos minutos o el tiempo de funcionamiento podría acortarse. Cárguelo durante más de 23 horas en esos casos.

#### 3 Desconecte el enchufe una vez se haya completado la carga.

- Cuando la carga está completa, seguir cargando la batería no afectará al rendimiento de la misma.
- La temperatura ambiente recomendada para la carga es de 0 – 35 °C (32 - 95 °F). El rendimiento de la batería podría verse afectado o la batería podría no cargarse bajo condiciones de temperatura extremadamente baja o alta.

- La luz indicadora de carga se ilumina y permanece así hasta que el enchufe se retira de la toma de corriente.
- Una carga completa suministra suficiente potencia para aproximadamente 50 minutos de uso.

#### Nota:

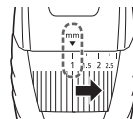
No puede hacer funcionar el recortador mientras se está cargando.

## Uso

### Uso del peine

Asegúrese de que el recortador esté apagado.

#### 1 Mueva el disco selector a la posición "1".



#### 2 Coloque el peine en el cuerpo principal hasta que se oiga un clic.



#### 3 Mueva el disco selector para mover el peine a la distancia de corte deseada (entre 1 mm (1/32") y 10 mm (13/32")).

Longitud de corte (estimación)	mm	1	1,5	2	2,5	3	3,5	4	4,5	5	5,5
	pulgada	1/32	1/16	5/64	3/32	1/8	9/64	5/32	11/64	3/16	7/32
Indicador		1	1.5	2	2.5	3	3.5	4	4.5	5	5.5

Longitud de corte (estimación)	mm	6	6,5	7	7,5	8	8,5	9	9,5	10
	pulgada	15/64	1/4	9/32	19/64	5/16	11/32	23/64	3/8	13/32
Indicador		6	6.5	7	7.5	8	8.5	9	9.5	10

- La longitud real del pelo será un poco superior a la altura que defina.



## Uso

### Utilización del recortador

Asegúrese de que la cuchilla no esté dañada.

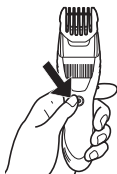
Recomendamos que se use el recortador en un rango de temperatura ambiente de 0 °C (32 °F) a 35 °C (95 °F). Si se utiliza fuera de este rango, el aparato puede dejar de funcionar.

### Recorte en seco

#### ► Recorte con el peine

No lo utilice cuando aplique cremas de afeitar o cuando la barba esté mojada.

- 1** Pulse el interruptor de encendido para apagar el recortador.
- 2** Monte el accesorio y ajuste el disco selector. (consulte la página 24.)
- 3** Pulse el interruptor de encendido para encender el recortador.



- 4** Sujete el recortador con el interruptor de encendido mirando hacia abajo, y corte la barba moviendo el recortador en contra de la dirección del pelo.

- Pueden acumularse restos de pelo dentro del peine cuando se corta una gran cantidad de barba, por lo que deben retirarse los restos de pelo después de cada uso.



#### ► Corte sin el peine

##### Darle forma al bigote

###### ■ Por encima de los labios

Coloque el recortador en ángulo recto respecto a la piel con el interruptor de encendido mirando hacia arriba y recorte alrededor del bigote.



Para redondear la forma, recorte alrededor del bigote sujetando el cuerpo principal lateralmente.



###### ■ Corte del borde de la barba

Corte la barba gradualmente con el interruptor de encendido mirando hacia la piel, teniendo cuidado de no cortar demasiado.



### Darle forma a las patillas

Coloque el recortador en ángulo recto con su piel y corte las patillas.



### Perfilado del pelo alrededor de las orejas

Recorte el pelo alrededor de las orejas sujetando el cuerpo principal lateralmente.



### Corte del vello

Corte el vello lentamente, moviendo desde abajo hacia arriba con el interruptor de encendido mirando hacia la piel.



- Al recortar la barba o el bigote sin un accesorio, el pelo se cortará a una longitud de 0,5 mm (1/64") aproximadamente.

## Corte en mojado

### ► Corte sin el peine

Corte la barba o el vello después de aplicar agua o una leche limpiadora facial a la cara.

El corte en mojado reduce la fricción, permitiendo un tacto suave.

El corte en mojado se recomienda para cortar una barba completa a una longitud de 0,5 mm (1/64") sin un accesorio.

**1** Quite el accesorio de peinado.

**2** Aplique agua, jabón, etc. a la cara.

**3** Pulse el interruptor de encendido para encender el recortador.



**4** Corte la barba lentamente, moviendo desde abajo hacia arriba con el interruptor de encendido mirando hacia la piel.



### Notas

- No use cremas de afeitado ya que estas pueden causar una reducción del rendimiento de corte debido al deterioro de las cuchillas.
- Asegúrese de lavar el cuerpo principal con agua y aplicar aceite a las cuchillas después de recortar en mojado.

## Limpieza

### Limpieza del recortador

Se recomienda limpiar después de cada uso.

1. Retire el recortador del adaptador de CA.

#### Para eliminar pequeñas manchas

2. Retire el peine y encienda el recortador.
3. Deje correr el agua por la entrada de agua en la parte posterior del cuerpo principal, lave durante aproximadamente 20 segundos y luego apague el recortador.



- Enjuague con agua y agite varias veces para eliminar el agua.

#### Para limar manchas difíciles

2. Retire el peine y la cuchilla.
3. Limpie el recortador y la cuchilla con agua corriente.



- Enjuague con agua y agite varias veces para eliminar el agua.

4. Limpie el agua con una toalla y deje que seque de forma natural.
  - Se secará más rápido si se retira la cuchilla.
5. Aplique el aceite a la cuchilla después de que se seque.
6. Coloque el peine y la cuchilla en el recortador.

4

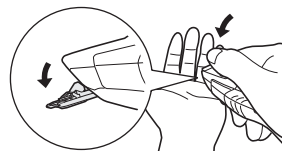


### Limpieza con la escobilla

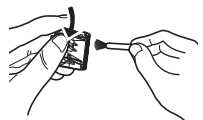
1. Retire el recortador del adaptador de CA.

- Asegúrese de que el recortador esté apagado.

2. Quite el accesorio de peinado.
3. Sostenga el cuerpo principal, coloque sus dedos contra las cuchillas y enseguida apártelos del cuerpo principal.
4. Cepille y quite cualquier cabello del cuerpo principal y alrededor de la cuchilla.



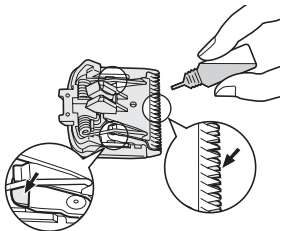
5. Cepille y quite cualquier cabello entre la cuchilla estacionaria y la móvil presionando hacia abajo la palanca de limpieza para alcanzar la cuchilla móvil.



6. Aplique el aceite a la cuchilla.
7. Coloque el peine y la cuchilla en el recortador.

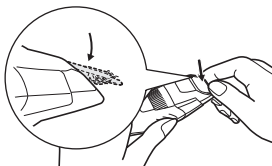
## Lubricación

Aplique el aceite en el recortador antes y después de cada uso. Aplique una gota de aceite a las puntas como indican las flechas.



## Reinstalación de la cuchilla

Coloque el gancho de montaje en la montura de la cuchilla del recortador y, a continuación, empuje hacia dentro hasta que oiga un clic.



## ► Duración de la cuchilla

La duración de la cuchilla varía de acuerdo con la frecuencia de uso del recortador.

Por ejemplo, la duración de la cuchilla es aproximadamente de 3 años cuando utiliza el recortador por 5 minutos 10 veces al mes. Sustituya las cuchillas si la eficiencia de corte se reduce a pesar de un mantenimiento adecuado.

## ► Vida de la batería

La vida de la batería variará según la frecuencia y la duración del uso. Si la batería se carga una vez cada 2 semanas, su vida útil será de aproximadamente 3 años.

- Se recomienda recargar el recortador al menos cada 6 meses aunque no se utilice regularmente, ya que la batería se descargará y esto puede reducir su vida útil.

## Extracción de la batería recargable interna

### ATENCIÓN:

El producto que ha comprado se alimenta con una batería de hidruros de metal níquel (Ni-MH) reciclable.

Llame al teléfono 1-800-8-BATTERY para obtener información acerca de cómo reciclar esta batería.

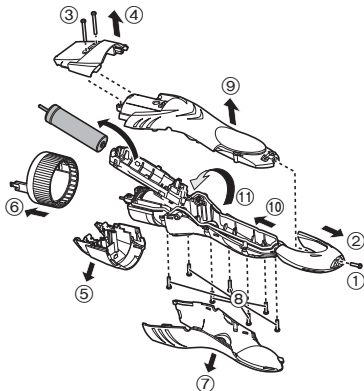


Extraiga la batería recargable incorporada antes de desechar el recortador. No desmonte ni cambie la batería para poder utilizar de nuevo el recortador. Esto podría causar un incendio o una descarga eléctrica. Póngase en contacto con un centro de servicio autorizado.

El servicio de reemplazo de batería está disponible solamente en los Estados Unidos de América.

- Retire el recortador del adaptador de CA cuando extraiga la batería.

- Lleve a cabo los pasos ① a ⑪ y levante la batería, después retírela.
- Tenga cuidado de no causar un cortocircuito en la batería.



## Especificaciones

Fuente de energía	Anote el número de placa que se encuentra en el adaptador de CA.
Voltaje del motor	1,2 V---
Tiempo de carga	Aproximadamente 15 horas

Este producto está destinado solamente para su uso doméstico.

## Declaración de Interferencia de la Comisión Federal de Comunicaciones

Este equipo ha sido probado y se encuentra en conformidad con los límites establecidos para dispositivos digitales de la Clase B, en aplicación de lo dispuesto en la Sección 15 de los lineamientos de la CFC. Estos límites han sido diseñados para proporcionar protección razonable contra la interferencia perjudicial en una instalación residencial. Este equipo genera, usa y puede irradiar energía de radio frecuencia y, si no se instala y se usa en conformidad con las instrucciones proporcionadas, podría ocasionar interferencia perjudicial a las radio comunicaciones. Sin embargo, no está garantizado que no se presentará ninguna interferencia en una instalación en particular. Si este equipo ocasiona interferencias perjudiciales en la recepción de radio o de televisión, lo cual se puede determinar apagando y encendiendo el equipo, se le pide al usuario tratar de corregir la interferencia mediante la realización de una de las siguientes medidas:

- Cambie de orientación o de lugar la antena de recepción.
- Incremente la separación entre el equipo y el receptor.
- Conecte el equipo en una toma de corriente que sea de un circuito diferente a aquel en el que está conectado el receptor.
- Póngase en contacto con el distribuidor o con un técnico experimentado en radio/TV para solicitar ayuda.

Precauciones de la CFC: Para garantizar la conformidad de forma continua, instale y use el aparato de acuerdo a las instrucciones proporcionadas. Cualquier cambio o modificación que se realice que no esté aprobado por la parte responsable de la conformidad podría invalidar la autoridad del usuario para usar este equipo.

Este dispositivo está en conformidad con la parte 15 de la normativa de la FCC. El funcionamiento está sujeto a las siguientes dos condiciones: (1) Este dispositivo no puede causar interferencias perjudiciales, y (2) este dispositivo debe aceptar cualquier interferencia recibida, incluyendo interferencias que podrían producir un funcionamiento no deseado.

**PARA SU CONVENIENCIA, AHORA DISPONEMOS DE UNA LÍNEA NACIONAL DE LLAMADA GRATIS PARA LA COMPRA DE ACCESORIOS (SOLAMENTE EN USA); LLAME AL 1-800-332-5368. PARA CANADÁ, CONTACTE A NUESTRAS SUCURSALES DE VENTA QUE SE MENCIONAN EN LA CONTRATAPA.**



**IN USA CONTACT:**

Panasonic Corporation of North America  
One Panasonic Way, Secaucus, NJ 07094

**IN CANADA CONTACT:****AU CANADA, COMMUNIQUEZ AVEC:**

Panasonic Canada Inc.  
5770 Ambler Drive, Mississauga, Ontario L4W 2T3  
(905) 624-5010

**EN MEXICO CONTACTE CON:**

Panasonic de México S.A. de C.V.  
Félix Cuevas No. 6 Piso 2 y 3  
Col. Tlacoquemecatl Del Valle  
Del. Benito Juárez  
México, D.F. C.P.03200  
01 (55) 5488-1000

**EN PANAMA CONTACTE CON:**

Panasonic Latin America. S.A.  
P.O. Box 0816-03164  
Panama, Republic of Panama  
(507) 229-2955

**Service • Assistance • Accessories**  
**Dépannage • Assistance • Accessoires**

Call 1-800-338-0552 (In USA)

<http://www.panasonic.com/shavers/>

<http://www.panasonic.com/consumersupport/>

Call 1-800-561-5505 (In Canada)

Composer le 1-800-561-5505 (Au Canada)

<http://www.panasonic.ca/>