

Specification Submittal Data / Panasonic Ventilation Fan

Description

Ventilation fan/LED light shall be low sone ceiling mount rated for continuous run. Fan shall be ENERGY STAR® rated and certified by the Home Ventilating Institute (HVI). Fan shall include energy efficient LED lighting. Evaluated by Underwriters Laboratories and conform to both UL and cUL safety standards.

Motor/Blower:

- Four-pole fully enclosed condenser motor rated for continuous operation.
- Power rating shall be 120 volts and 60 Hz.
- Fan shall be UL listed for tub/shower enclosure when used with a GFCI protected circuit and used in insulated ceiling (TYPE I.C.).
- Motor equipped with thermal-cutoff fuse.
- Removable, permanently lubricated, plug-in motor.

Housing:

- Rust proof paint, galvanized steel body.
- Integrated dual 4" or 6" diameter duct adapter.
- Metal flange around recessed light aperture helps provide an Air Barrier and assists with the decrease in leakage in the Building Envelope during blower door testing.
- Built in backdraft damper.
- Expandable extension bracket up to 24".
- Double hanger bar system allowing for ideal positioning.

Grille:

- Attractive design using Poly Pro material.
- Attaches directly to housing with torsion springs.



(1)14W GU24 base LED lamp included.

Light:

- One 14W, ENERGY STAR rated, GU24 base LED lamp.
- LED lamp is dimmable.
- FCC Part 15 compliant.

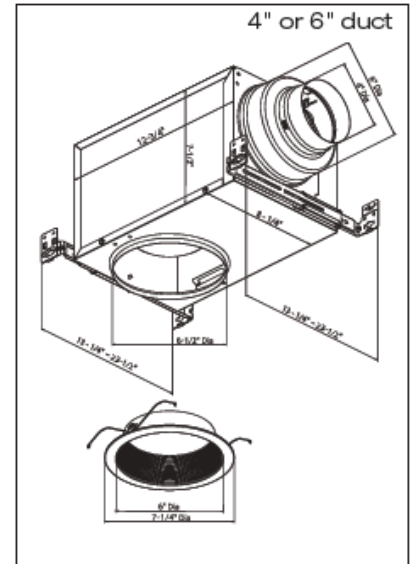
Warranty:

- ALL Parts: 3 Years from original purchase date.
- LED: 5 years from original purchase date.

Architectural Specifications:

Ventilation fan and LED light combination shall be ceiling mount, ENERGY STAR® rated type, with no less than 80 CFM and no more than 0.8 sone as certified by the Home Ventilating Institute (HVI) at 0.1 w.g. with no less than 66 CFM and no more than 0.7 sone at .25 w.g. Power consumption shall be no greater than 20.5 watts at 0.1 w.g. and 19.5 Watts at 0.25 w.g. ENERGY STAR® rated with efficiency of no less than 4 CFM/watt at 0.1 w.g. and than 3.4 CFM/watt at 0.25 w.g. The motor shall be fully enclosed, four pole condenser type engineered to operate continuously. Power rating shall be 120v/60Hz. Duct diameter shall be no less than 4", inclusive of an integrated dual 4" or 6" duct adapter. Fan shall be UL and cUL listed for tub/shower enclosure when used with a GFCI protected circuit. Fan can be used to comply with ASHRAE 62.2, LEED, CalGreen*, ENERGY STAR® IAP, EarthCraft, California Title-24, WA Ventilation Code. Lamp shall be of the LED type and be no less than (1)14W, ENERGY STAR rated, GU24 base LED lamp.

* Can be used to comply with CalGreen when controlled by the Panasonic Condensation Sensor.

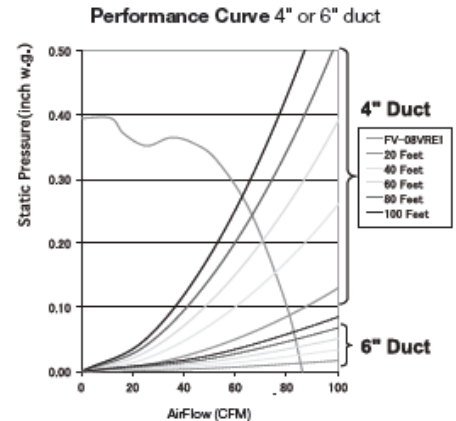


FV-08VRE1

| Compatible Dimmers (Not Included) | | | | | |
|-----------------------------------|--------|---------------------|----|-----------|-------------------|
| | Brand | Model # | | | |
| 1 | Lutron | AY-600P or equal | 6 | Lutron | S-600P or equal |
| 2 | Lutron | DVELV-303P or equal | 7 | Lutron | DV-600P or equal |
| 3 | Lutron | DVELV-603P or equal | 8 | Lutron | SLV-600P or equal |
| 4 | Lutron | AYCL-153P or equal | 9 | Lutron | S-600P or equal |
| 5 | Lutron | DVCL-153P or equal | 10 | SmartHome | 2486DWH6 or equal |

| Specifications: WhisperRecessedLED FV-08VRE1 | 4" or 6" Duct | |
|---|----------------------|------|
| Static Pressure in inches w.g. | 0.1 | 0.25 |
| Air Volume (CFM) | 80 | 66 |
| Noise (sones) | 0.8 | 0.7 |
| Power Consumption (watts) | 20.5 | 19.5 |
| Energy Efficiency (CFM/Watt) | 4.0 | 3.4 |
| Speed (RPM) | 1378 | 1501 |
| Current (amps) | 0.17 | 0.17 |
| MAX Current (amps) | 0.19 | |
| Power Rating (V/Hz) | 120/60 | |
| ENERGY STAR rated | YES | |

0.25 = Installed Performance



For complete Installation Instructions visit www.panasonic.ca

| Model | Quantity | Comments | Project: |
|-------|----------|----------|---------------|
| | | | Location: |
| | | | Architect: |
| | | | Engineer: |
| | | | Contractor: |
| | | | Submitted by: |
| | | | Date: |

Panasonic Canada Inc.
5770 Ambler Drive
Mississauga, ON L4W 2T3
1-800-669-5165
www.panasonic.ca

