

# Panasonic®

## FM-AM Clock Radio

### Operating Instructions



Model No. **RC-7200**  
**RC-7150**

The illustrations show RC-7200.

Before connecting, operating or adjusting this product, please read these instructions completely.

Please keep this manual for future reference.



Panasonic Consumer Electronics Company, Division of  
Matsushita Electric Corporation of America

En

One Panasonic Way Secaucus, New Jersey 07094

<http://www.panasonic.com>

Panasonic Sales Company, Division of Matsushita Electric of  
Puerto Rico, Inc. ("PSC")

Ave. 65 de Infantería, Km. 9.5 San Gabriel Industrial Park, Carolina,  
Puerto Rico 00985

Panasonic Canada Inc.

5770 Ambler Drive, Mississauga, Ontario L4W 2T3

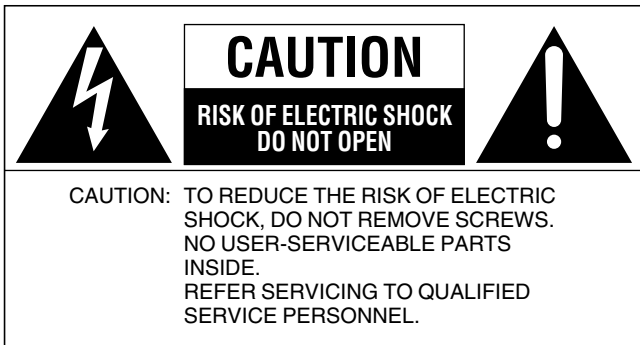
[www.panasonic.ca](http://www.panasonic.ca)

©2003 Matsushita Electric Industrial Co., Ltd.

Printed in China

RQTW0037-P  
F1202TJ0

•The following mark and symbols are located on the bottom of the unit.



The lightning flash with arrowhead symbol, within an equilateral triangle, is intended to alert the user to the presence of uninsulated "dangerous voltage" within the product's enclosure that may be of sufficient magnitude to constitute a risk of electric shock to persons.



The exclamation point within an equilateral triangle is intended to alert the user to the presence of important operating and maintenance (servicing) instructions in the literature accompanying the appliance.

### WARNING:

**TO REDUCE THE RISK OF FIRE, ELECTRIC SHOCK OR PRODUCT DAMAGE, DO NOT EXPOSE THIS APPARATUS TO RAIN, MOISTURE, DRIPPING OR SPLASHING AND THAT NO OBJECTS FILLED WITH LIQUIDS, SUCH AS VASES, SHALL BE PLACED ON THE APPARATUS.**

## IMPORTANT SAFETY INSTRUCTIONS

Read these operating instructions carefully before using the unit. Follow the safety instructions on the unit and the safety precautions listed below. Keep these operating instructions handy for future reference.

### Safety

- Power source**—Connect the unit to a power source of the type described in these instructions or as marked on the unit.
- Polarization**—The unit is equipped with a polarized power plug where one blade is wider than the other. This safety feature ensures that the plug fits into your household AC outlet only one way. If the plug doesn't fit one way, try reversing it. If the plug still doesn't fit, contact an electrician to replace the obsolete outlet. Do not attempt to defeat the safety purpose of the plug.
- Power cord protection**—Route the AC power supply cord so that it will not be walked on or pinched by items placed on or against it. Never take hold of the plug or cord with wet hands. Always grasp the plug body firmly when connecting and disconnecting it.
- Overloading**—When connecting the AC power supply cord, be careful not to overload the household AC outlet, extension cord, or outlet from any other device as this can result in fire or electric shock.
- Nonuse periods**—Turn the unit off when it is not in use. Unplug the unit from the household AC outlet if it is not to be used for a long time. Unplug the unit during lightning storms.
- Attachments and accessories**—Use only the attachments and accessories recommended in these operating instructions.

### Installation

#### ■Placement

- Ventilation**—Situate the unit so that it receives proper ventilation. Do not install in a confined space such as a bookcase or cabinet. Allow at least 10 cm (4 inches) clearance from the rear of the unit. To prevent the risk of electric shock or fire due to overheating ensure curtains and other materials do not obstruct the unit's ventilation.
- Foreign material**—Ensure objects and liquids do not get into the unit. Avoid exposing the unit to excessive smoke, dust, mechanical vibration, and shock.
- Magnetism**—Situate the unit away from equipment and devices that generate strong magnetic fields.
- Stacking**—Do not place heavy objects on top of this unit.
- Surface**—Place the unit on a flat, level surface.
- Carts and stands**—Use the unit only with carts and stands recommended by the manufacturer. Move carts with care. Sudden stops, excessive force, and uneven surfaces can cause carts to overturn.
- Wall and ceiling mounting**—Do not mount the unit on walls or ceilings unless specified in the instructions.



#### ■Environment

- Water and moisture**—Do not use the unit near water, such as near a bathtub or swimming pool. Avoid damp basements.
- Heat**—Situate the unit away from heat sources, such as radiators. Do not situate where temperatures fall below 5°C (41°F) or rise above 35°C (95°F).

### Maintenance

(See below for details.)

Unplug the unit from the household AC outlet before cleaning.

Clean with a damp cloth.

Do not use abrasive pads, scouring powders, or solvents.

### Service

- Damage requiring service**—The unit should be serviced by qualified service personnel if:
  - The AC power supply cord or the plug has been damaged; or
  - Objects or liquids have gotten into the unit; or
  - The unit has been exposed to rain; or
  - The unit does not operate normally or exhibits a marked change in performance; or
  - The unit has been dropped or the cabinet damaged.
- Servicing**—Do not attempt to service the unit beyond that described in these operating instructions. Refer all other servicing to authorized servicing personnel.
- Replacement parts**—When parts need replacing ensure the servicer uses parts specified by the manufacturer or parts that have the same characteristics as the original parts. Unauthorized substitutes may result in fire, electric shock, or other hazards.
- Safety check**—After repairs or service, ask the servicer to perform safety checks to confirm that the unit is in proper working condition.

### Maintenance

**To clean this unit, wipe with a soft, damp cloth.**

- Never use alcohol, paint thinner or benzine to clean this unit.
- Before using a chemically treated cloth, read the instructions that came with the cloth carefully.

## Product Service

- 1. Damage requiring service**—The unit should be serviced by qualified service personnel if:
  - (a) The AC power supply cord or AC adaptor has been damaged; or
  - (b) Objects or liquids have gotten into the unit; or
  - (c) The unit has been exposed to rain; or
  - (d) The unit does not operate normally or exhibits a marked change in performance; or
  - (e) The unit has been dropped or the cabinet damaged.
- 2. Servicing**—Do not attempt to service the unit beyond that described in these operating instructions. Refer all other servicing to authorized servicing personnel.
- 3. Replacement parts**—When parts need replacing ensure the servicer uses parts specified by the manufacturer or parts that have the same characteristics as the original parts. Unauthorized substitutes may result in fire, electric shock, or other hazards.
- 4. Safety check**—After repairs or service, ask the servicer to perform safety checks to confirm that the unit is in proper working condition.

## Product information

For product information or assistance with product operation:

In the U.S.A., contact the Panasonic Customer Call Center at 1-800-211-7262, or e-mail [consumerproducts@panasonic.com](mailto:consumerproducts@panasonic.com), or web site (<http://www.panasonic.com>).

In Canada, contact Panasonic Canada Inc. Customer Care Centre at 905-624-5505, web site ([www.panasonic.ca](http://www.panasonic.ca)), or an authorized Servicenter closest to you.

The model number and serial number of this product can be found on either the back or the bottom of the unit.

Please note them in the space provided below and keep for future reference.

MODEL NUMBER \_\_\_\_\_  
SERIAL NUMBER \_\_\_\_\_

## User memo:

DATE OF PURCHASE \_\_\_\_\_  
DEALER NAME \_\_\_\_\_  
DEALER ADDRESS \_\_\_\_\_  
TELEPHONE NUMBER \_\_\_\_\_

## Specifications

### Radio frequency range:

FM: 88.0–108.0 MHz  
AM: 525–1710 kHz

### Power requirement:

AC: 120 V, 60 Hz  
Power consumption; 6 W  
Battery: 9 V (one 6F22/6LR61, 006P battery)

### Speaker:

4 cm (1 1/2")

### Dimensions (W×H×D):

215×64×149 mm (8 7/16"×2 9/16"×5 7/8")

### Mass (without battery):

RC-7200 ; 781 g (1 lb. 12 oz.)

RC-7150 ; 768 g (1 lb. 12 oz.)

### Note

Specifications are subject to change without notice.

Mass and dimensions are approximate.

Power consumption in standby mode : 1.5 W

**CAUTION:**  
TO PREVENT ELECTRIC SHOCK MATCH  
WIDE BLADE OF PLUG TO WIDE SLOT,  
FULLY INSERT.

### THE FOLLOWING APPLIES ONLY IN THE U.S.A.

### CAUTION:

This device complies with Part 15 of the FCC Rules. Operation is subject to the conditions that this device does not cause harmful interference.

Any unauthorized changes or modifications to this equipment would void the user's authority to operate this device.

Panasonic Consumer Electronics Company,  
Division of Matsushita Electric Corporation of America  
One Panasonic Way Secaucus, New Jersey 07094

### ONLY FOR U.S.A.

Panasonic Sales Company, Division of Matsushita Electric of Puerto Rico, Inc.  
Ave. 65 de Infantería, Km. 9.5  
San Gabriel Industrial Park, Carolina, Puerto Rico 00985

## Panasonic Audio Products Limited Warranty

### Limited Warranty Coverage

If your product listed below does not work properly because of a defect in materials or workmanship, Panasonic Consumer Electronics Company or Panasonic Sales Company (collectively referred to as "the warrantor") will, for the length of the period indicated on the chart below, which starts with the date of original purchase ("warranty period"), at its option either (a) repair your product with new or refurbished parts, or (b) replace it with a new or a refurbished product. The decision to repair or replace will be made by the warrantor.

Product or Part Name	Parts	Labor
Radio, Clock Radio, Radio with Tape Player or Recorder, Portable CD Player, Headphone Stereo, Tape Recorder, Speaker	One (1) Year	One (1) Year
Rechargeable batteries (in exchange for defective item)	Ten (10) Days	Not Applicable
SD Memory Card (in exchange for defective item)	Ninety (90) Days	Not Applicable

During the "Labor" warranty period there will be no charge for labor. During the "Parts" warranty period, there will be no charge for parts. You must mail-in your product during the warranty period. This Limited Warranty excludes both parts and labor for batteries, antennas, and cosmetic parts (cabinet). This warranty only applies to products purchased and serviced in the United States or Puerto Rico. This warranty is extended only to the original purchaser of a new product which was not sold "as is". A purchase receipt or other proof of the original purchase date is required for warranty service.

### To obtain service in the USA please contact:

Panasonic Services Company, Panasonic Plus Department  
20421 84th Avenue South  
Kent, WA 98032  
Tel: 1-800-833-9626 Fax: 1-800-237-9080

For assistance in Puerto Rico call Panasonic Sales Company (787)-750-4300 or fax (787)-768-2910.

When shipping the unit carefully pack and send it prepaid, adequately insured and preferably in the original carton. Include a letter detailing the complaint and provide a day time phone number where you can be reached.

### Customer Services Directory

For Product Information, Operating Assistance, Literature Request, Dealer Locations, and all Customer Service inquiries please contact:  
1-800-211-PANA (7262), Monday–Friday 9 am–9 pm;  
Saturday–Sunday 9 am–7 pm, EST.

Web Site: <http://www.panasonic.com>  
You can purchase parts, accessories or locate your nearest servicenter by visiting our Web Site.

### Limited Warranty Limits And Exclusions

This warranty ONLY COVERS failures due to defects in materials or workmanship, and DOES NOT COVER normal wear and tear or cosmetic damage. The warranty ALSO DOES NOT COVER damages which occurred in shipment, or failures which are caused by products not supplied by the warrantor, or failures which result from accidents, misuse, abuse, neglect, mishandling, misapplication, alteration, faulty installation, set-up adjustments, misadjustment of consumer controls, improper maintenance, power line surge, lightning damage, modification, introduction of sand, humidity or liquids, commercial use such as hotel, office, restaurant, or other business or rental use of the product, or service by anyone other than a Factory Servicenter or other Authorized Servicer, or damage that is attributable to acts of God.

### THERE ARE NO EXPRESS WARRANTIES EXCEPT AS LISTED UNDER "LIMITED WARRANTY COVERAGE".

THE WARRANTOR IS NOT LIABLE FOR INCIDENTAL OR CONSEQUENTIAL DAMAGES RESULTING FROM THE USE OF THIS PRODUCT, OR ARISING OUT OF ANY BREACH OF THIS WARRANTY. (As examples, this excludes damages for lost time, cost of having someone remove or re-install an installed unit if applicable, travel to and from the servicer, loss of or damage to media or images, data or other memory or recorded content. The items listed are not exclusive, but are for illustration only.)

### ALL EXPRESS AND IMPLIED WARRANTIES, INCLUDING THE WARRANTY OF MERCHANTABILITY, ARE LIMITED TO THE PERIOD OF THE LIMITED WARRANTY.

Some states do not allow the exclusion or limitation of incidental or consequential damages, or limitations on how long an implied warranty lasts, so the exclusions may not apply to you.

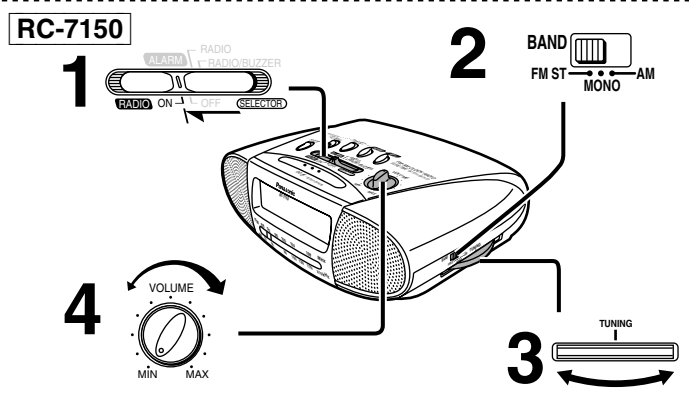
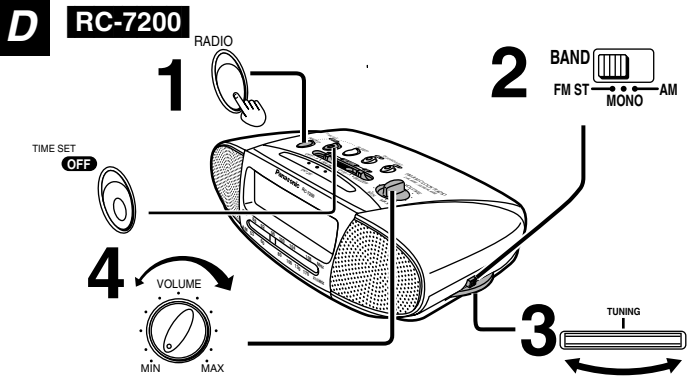
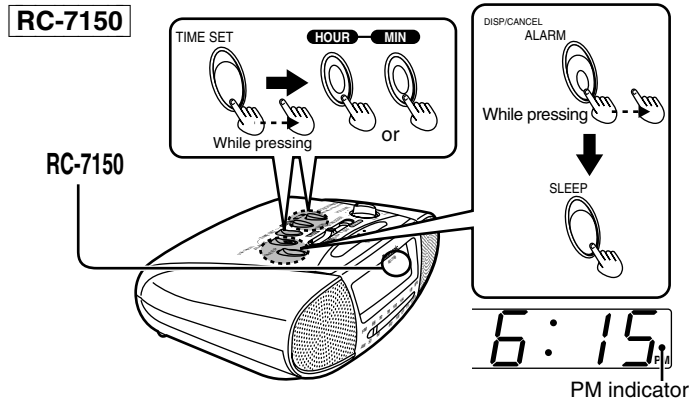
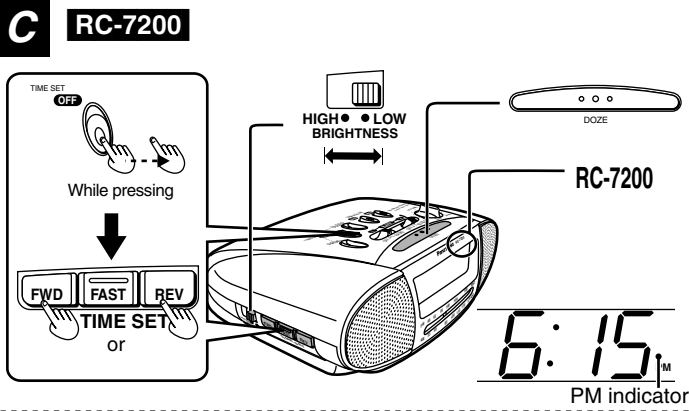
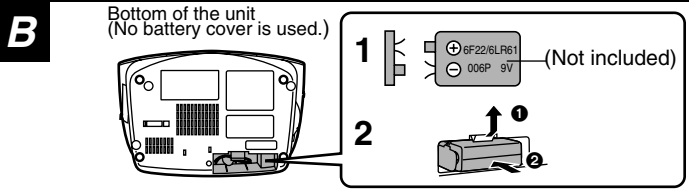
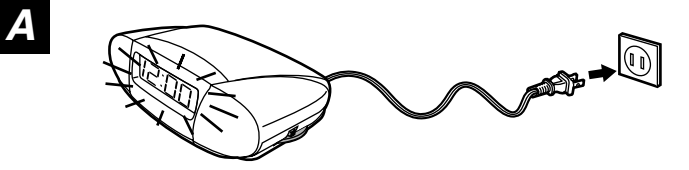
This warranty gives you specific legal rights and you may also have other rights which vary from state to state. If a problem with this product develops during or after the warranty period, you may contact your dealer or Servicenter. If the problem is not handled to your satisfaction, then write to the warrantor's Consumer Affairs Department at the addresses listed for the warrantor.

### PARTS AND SERVICE, WHICH ARE NOT COVERED BY THIS LIMITED WARRANTY, ARE YOUR RESPONSIBILITY.

Service in Puerto Rico  
Matsushita Electric of Puerto Rico, Inc.  
Panasonic Sales Company/Factory Servicenter:  
Ave. 65 de Infantería, Km. 9.5,  
San Gabriel Industrial Park, Carolina, Puerto Rico 00985  
Phone (787) 750-4300 Fax (787) 768-2910

### Accessory Purchases:

1-800-332-5368 (Customer Orders Only)  
Panasonic Services Company 20421 84th Avenue South, Kent, WA 98032  
(6 am to 5 pm Monday–Friday; 6 am to 10:30 am Saturday; PST)  
(Visa, MasterCard, Discover Card, American Express, Check)



## Power supply

### Using AC power supply cord **A**

### Dry cell memory back-up battery (not included) **B**

This battery saves the clock and alarm settings if there is a power interruption.

### If the power is interrupted

- The time display clears until the unit is turned on again. The clock can gain or lose up to six minutes an hour while the power is interrupted.
- The radio and radio alarm do not work while the power is interrupted. The beep alarm continues to function (**RC-7200** only).

### Replacing the battery

- The service life of this battery is approximately 1 year.
- If, after a power interruption, the display flashes after turning the unit on again, the battery needs to be replaced.

### Note

- Align the poles (⊕ and ⊖) properly when inserting the battery.
- Do not heat or disassemble the batteries. Do not allow them to contact flame or water.
- Remove the battery if the unit is not to be used for a long time.

Mishandling of battery can cause electrolyte leakage which can damage items the fluid contacts and may cause a fire.

If electrolyte leaks from the batteries, consult your dealer.

Wash thoroughly with water if electrolyte comes in contact with any part of your body.

## Setting the time **C**

Reset the clock regularly to maintain accuracy. (Monthly accuracy +/-30 seconds)

### RC-7200

While pressing and holding [TIME SET, OFF], press [FWD] or [REV] to set the time.

[FWD]: Increases the time by one-minute units.

[REV]: Decreases the time by one-minute units.

- Increase the speed by also pressing [FAST].

- The seconds are reset to zero whenever [FWD] or [REV] is pressed.

### Time display

AM : PM indicator does not light.

PM : PM indicator lights.

### To check the second display

Press and hold [DOZE].

The minutes and the seconds will appear.

### Changing the brightness of the time display

[HIGH] : For a bright display.

[LOW] : For a dim display.

### RC-7150

While pressing and holding [TIME SET], press [HOUR] or [MIN] to set the time.

[HOUR] : Increases the time by one-hour units.

[MIN] : Increases the time by one-minute units.

### Time display

AM : PM indicator does not light.

PM : PM indicator lights.

### To check the second display

While pressing and holding [DISP/CANCEL, ALARM], press [SLEEP].

The minutes and the seconds will appear.

## Listening to the radio **D**

### To listen to the radio.

Follow steps 1-4.

### To turn off

**RC-7200** Press [TIME SET, OFF].

**RC-7150** Set [SELECTOR] to [OFF].

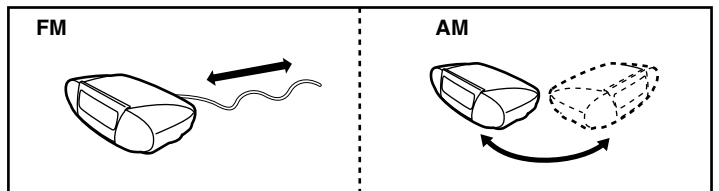
### Note

These speakers do not have magnetic shielding. Do not place them near televisions, personal computers or other devices easily influenced by magnetism.

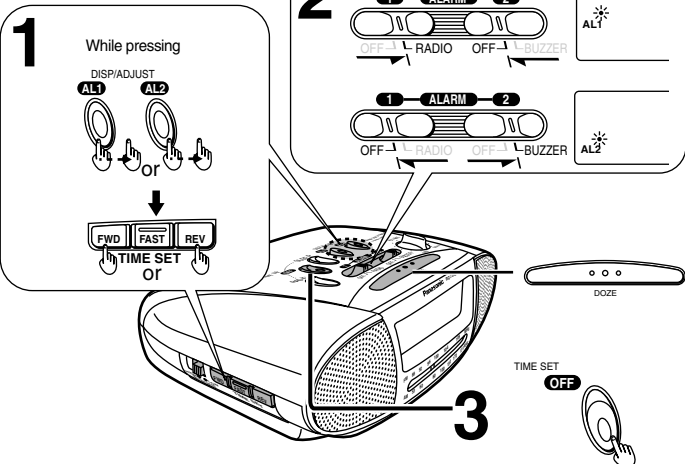
### To adjust antenna

FM : Extend and change the direction of the FM antenna cord.

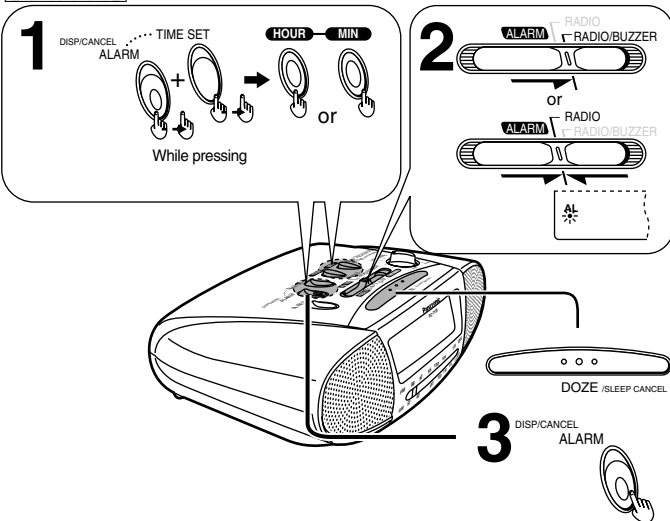
AM : Move the unit to face in the direction of best reception.



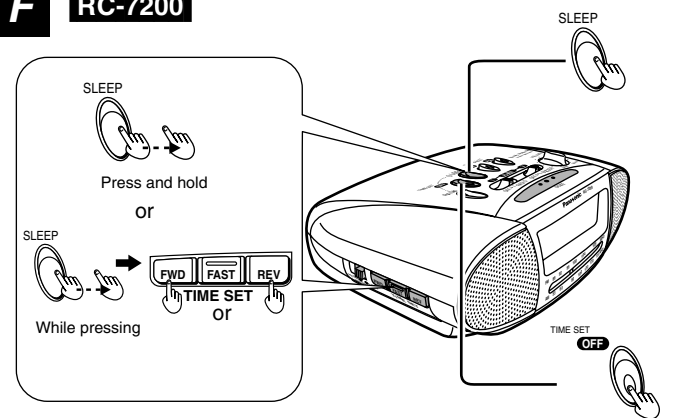
## E RC-7200



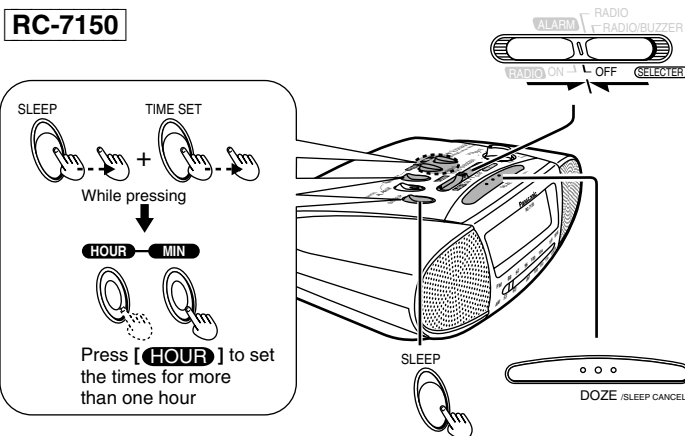
## RC-7150



## F RC-7200



## RC-7150



## Using the unit as an alarm clock E

### RC-7200

This unit has two alarms that you can set separately :

- ALARM 1 : To start play of the radio
- ALARM 2 : To sound a buzzer  
(They shut off after about 59 minutes.)

#### ■Radio alarm preparation

Tune to the station. (Refer to “Listening to the radio”.)

#### ■Setting the alarms

Follow steps 1-3.

#### ■Note

- Buzzer volume cannot be changed.
- Make sure the radio is off (press [TIME SET, OFF]) for ALARM 1 to work.

#### ■To stop the alarm

Press [TIME SET, OFF]. (The alarm stops but the setting remains intact so the alarm sounds again at the same time the next day.)

#### ■To turn the alarm off

Set [ 1 ALARM 2 ] to [OFF].

#### ■To shut the alarm off temporarily

Press [DOZE]. (The alarm sounds again 7 minutes later.)

#### ■To check the alarm time

Press [DISP/ADJUST, AL1 or AL2].

### RC-7150

This unit has one alarm and you can choose whether to start play of the radio or start play of the radio and sound the buzzer. It shuts off in about 2 hours.

#### ■Radio alarm preparation

Tune to the station. (Refer to “Listening to the radio”.)

#### ■Setting the alarms

Follow steps 1-3.

#### ■Note

Buzzer volume cannot be changed.

#### ■To stop the alarm

Press [DISP/CANCEL, ALARM]. (The alarm stops but the setting remains intact so the alarm sounds again at the same time the next day.)

#### ■To turn the alarm off

Set [ (SELECTOR) ] to [OFF].

The alarm indicator goes out.

#### ■To shut the alarm off temporarily

Press [DOZE/SLEEP CANCEL]. (The alarm sounds again 9 minutes later.)

#### ■To check the alarm time

Press [DISP/CANCEL, ALARM].

## Using the sleep timer F

This turns the radio off after a set time.

### RC-7200

#### ■To set the timer

Press [SLEEP]. (The time is set at 59 minutes.)

#### ■To change the time

Press and hold [SLEEP] until the desired time appears. (The time reduces in one-minute units down to 1 minute.)

or

Press [FWD, TIME SET] or [REV, TIME SET] while holding down [SLEEP].

[FWD]: Increases the time by one-minute units.

[REV]: Decreases the time by one-minute units.

- Increase the speed by also pressing [FAST, TIME SET].

#### ■To check the remaining time

Press [SLEEP].

#### ■To cancel and turn the radio off

Press [TIME SET, OFF].

### RC-7150

#### ■To set the timer

Set [ (SELECTOR) ] to [OFF], then press [SLEEP]. (The time is set at 59 minutes.)

#### ■To change the time

Press and hold [SLEEP], [TIME SET] and [MIN] until the desired time appears. (The time reduces in one-minute units down to 1 minute. Press and hold [SLEEP], [TIME SET] and [ HOUR ] to start from “1:59”.)

#### ■To cancel and turn the radio off

Press [DOZE/SLEEP CANCEL].

#### For your reference:

You can combine the alarm clock (E) and sleep timer.