

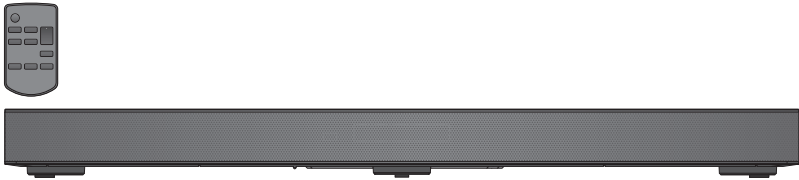
# Panasonic®

Owner's Manual

## Home Theater Audio System

---

Model No. **SC-HTE180**



Thank you for purchasing this product.  
For optimum performance and safety, please read these instructions carefully.  
Please keep this manual for future reference.

If you have any questions, visit  
[www.panasonic.ca/english/support](http://www.panasonic.ca/english/support)

**Do the procedures with the remote control. You can also use the buttons on the main unit if they are the same.**  
Your system and the illustrations can look differently.

The model number and serial number of this product can be found on either the back or the bottom of the unit. Please note them in the space provided below and keep for future reference.

MODEL NUMBER SC-HTE180

SERIAL NUMBER \_\_\_\_\_

User memo:

DATE OF PURCHASE	_____
DEALER NAME	_____
DEALER ADDRESS	_____
TELEPHONE NUMBER	_____

# IMPORTANT SAFETY INSTRUCTIONS

Read these operating instructions carefully before using the unit. Follow the safety instructions on the unit and the applicable safety instructions listed below. Keep these operating instructions handy for future reference.

1. Read these instructions.
2. Keep these instructions.
3. Heed all warnings.
4. Follow all instructions.
5. Do not use this apparatus near water.
6. Clean only with dry cloth.
7. Do not block any ventilation openings. Install in accordance with the manufacturer's instructions.
8. Do not install near any heat sources such as radiators, heat registers, stoves, or other apparatus (including amplifiers) that produce heat.
9. Do not defeat the safety purpose of the polarized or grounding-type plug. A polarized plug has two blades with one wider than the other. A grounding-type plug has two blades and a third grounding prong. The wide blade or the third prong are provided for your safety. If the provided plug does not fit into your outlet, consult an electrician for replacement of the obsolete outlet.
10. Protect the power cord from being walked on or pinched particularly at plugs, convenience receptacles, and the point where they exit from the apparatus.
11. Only use attachments/accessories specified by the manufacturer.
12. Use only with the cart, stand, tripod, bracket, or table specified by the manufacturer, or sold with the apparatus. When a cart is used, use caution when moving the cart/apparatus combination to avoid injury from tip-over.
13. Unplug this apparatus during lightning storms or when unused for long periods of time.
14. Refer all servicing to qualified service personnel. Servicing is required when the apparatus has been damaged in any way, such as power-supply cord or plug is damaged, liquid has been spilled or objects have fallen into the apparatus, the apparatus has been exposed to rain or moisture, does not operate normally, or has been dropped.



# Safety precautions

## WARNING!

### Unit

- To reduce the risk of fire, electric shock or product damage,
  - Do not expose this unit to rain, moisture, dripping or splashing.
  - Do not place objects filled with liquids, such as vases, on this unit.
  - Use only the recommended accessories.
  - Do not remove covers.
  - Do not repair this unit by yourself. Refer servicing to qualified service personnel.

### AC power supply cord

- The power plug is the disconnecting device. Install this unit so that the power plug can be unplugged from the socket outlet immediately.

### Button-type battery (Lithium battery)

- Risk of fire, explosion and burns. Do not disassemble, heat above 60°C (140°F) or incinerate.

## CAUTION!

### Unit

- To reduce the risk of fire, electric shock or product damage,
  - Do not install or place this unit in a bookcase, built-in cabinet or in another confined space. Ensure this unit is well ventilated.
  - Do not obstruct this unit's ventilation openings with newspapers, tablecloths, curtains, and similar items.
  - Do not place sources of naked flames, such as lighted candles, on this unit.
- Do not touch the bottom of the unit. It might be hot when you use it for a long period.

### Button-type battery (Lithium battery)

- Insert with poles aligned.
- Do not touch the terminals (+ and -) with metal objects.
- Do not recharge, disassemble, remodel, heat or throw into fire.
- Keep out of reach of children.
- If any electrolyte should come into contact with your hands or clothes, wash it off thoroughly with water.
- If any electrolyte should come into contact with your eyes, never rub the eyes. Rinse eyes thoroughly with water, and then consult a doctor.
- Danger of explosion if battery is incorrectly replaced. Replace only with the type recommended by the manufacturer.
- When disposing the batteries, please contact your local authorities or dealer and ask for the correct method of disposal.
- Do not heat or expose to flame.
- Do not leave the battery(ies) in a car exposed to direct sunlight for a long period of time with doors and windows closed.



**DO NOT INGEST BATTERY,  
CHEMICAL BURN HAZARD**

This product contains a coin/button cell battery. If the coin/button cell battery is swallowed, it can cause severe internal burns in just 2 hours and can lead to death. Keep new and used batteries away from children. If the battery compartment does not close securely, stop using the product and keep it away from children. If you think batteries might have been swallowed or placed inside any part of the body, seek immediate medical attention.



**CAUTION**

**RISK OF ELECTRIC SHOCK  
DO NOT OPEN**



**CAUTION: TO REDUCE THE RISK OF ELECTRIC SHOCK, DO NOT REMOVE SCREWS. NO USER-SERVICEABLE PARTS INSIDE. REFER SERVICING TO QUALIFIED SERVICE PERSONNEL.**



The lightning flash with arrowhead symbol, within an equilateral triangle, is intended to alert the user to the presence of uninsulated "dangerous voltage" within the product's enclosure that may be of sufficient magnitude to constitute a risk of electric shock to persons.



The exclamation point within an equilateral triangle is intended to alert the user to the presence of important operating and maintenance (servicing) instructions in the literature accompanying the appliance.

This device complies with RSS-GEN, RSS-210 of the IC Rules. Operation is subject to the following two conditions: (1) This device may not cause harmful interference, (2) This device must accept any interference received, including interference that may cause undesired operation of the device.

This transmitter must not be co-located or operated in conjunction with any other antenna or transmitter. This equipment complies with FCC/IC radiation exposure limits set forth for an uncontrolled environment and meets the FCC radio frequency (RF) Exposure Guidelines in Supplement C to OET65 and RSS-102 of the IC radio frequency (RF) Exposure rules. This equipment has very low levels of RF energy that is deemed to comply without maximum permissive exposure evaluation (MPE). But it is desirable that it should be installed and operated keeping the radiator at least 20 cm (7 $\frac{7}{8}$ " ) or more away from person's body (excluding extremities: hands, wrists, feet and ankles).

## Table of contents

IMPORTANT SAFETY INSTRUCTIONS .....	2
Safety precautions .....	3
Supplied accessories .....	4
Maintenance .....	4
Licenses .....	5
About Bluetooth® .....	5
Placement .....	6
Preparing the remote control .....	6
Overview of controls .....	7
Connections .....	8
Basic controls .....	11
3D sound .....	11
Sound menu .....	11
Setup Menu .....	12
Linked operations with the TV (VIERA Link™ "HDAVI Control™") .....	13
Troubleshooting .....	14
Specifications .....	16
Limited Warranty .....	17

## Supplied accessories

Check and identify the supplied accessories.

Use numbers indicated in parentheses when asking for replacement parts. (Product numbers correct as of June 2014. This may be subject to change.)

To order accessories, call the dealer from whom you have made your purchase.

- 1 AC power supply cord**  
(K2CB2CB00022)
- 1 Remote control (with a battery)**  
(N2QAYC000098)

The included Canadian French label sheet corresponds to the English printing on the main unit and remote control.

## Maintenance

To clean this system, wipe with a soft, dry cloth.

- Never use alcohol, paint thinner or benzine to clean this system.
- Before using chemically treated cloth, read the instructions that came with the cloth carefully.

## Licenses

Manufactured under license from Dolby Laboratories. Dolby, Pro Logic, and the double-D symbol are trademarks of Dolby Laboratories.

Manufactured under license under U.S. Patent Nos: 5,956,674; 5,974,380; 6,487,535 & other U.S. and worldwide patents issued & pending.  
DTS, the Symbol, & DTS and the Symbol together are registered trademarks & DTS Digital Surround and the DTS logos are trademarks of DTS, Inc. Product includes software.  
© DTS, Inc. All Rights Reserved.

HDMI, the HDMI Logo, and High-Definition Multimedia Interface are trademarks or registered trademarks of HDMI Licensing LLC in the United States and other countries.

HDAVI Control™ is a trademark of Panasonic Corporation.

VIERA LINK™ is a trademark of Panasonic Corporation.

EZ Sync™ is a trademark of Panasonic Corporation.

The Bluetooth® word mark and logos are owned by the Bluetooth SIG, Inc. and any use of such marks by Panasonic Corporation is under license. Other trademarks and trade names are those of their respective owners.

Google Play and Android are trademarks of Google Inc.

## About Bluetooth®

Panasonic bears no responsibility for data and/or information that can possibly be compromised during a wireless transmission.

### Frequency band

- This system uses the 2.4 GHz frequency band.

### Certification

- This system conforms to the frequency restrictions and has received certification based on frequency laws. Thus, a wireless permit is not necessary.
- The actions below are punishable by law:
  - Taking apart or modifying the main unit.
  - Removing specification indications.

### Restrictions of use

- Wireless transmission and/or usage with all Bluetooth® equipped devices is not guaranteed.
- All devices must conform to standards set by Bluetooth SIG, Inc.
- Depending on the specifications and settings of a device, it can fail to connect or some operations can be different.
- This system supports Bluetooth® security features. But depending on the operating environment and/or settings, this security is possibly not sufficient. Transmit data wirelessly to this system with caution.
- This system cannot transmit data to a Bluetooth® device.

### Range of use

- Use this device at a maximum range of 10 m (33 ft).
- The range can decrease depending on the environment, obstacles or interference.

### Interference from other devices

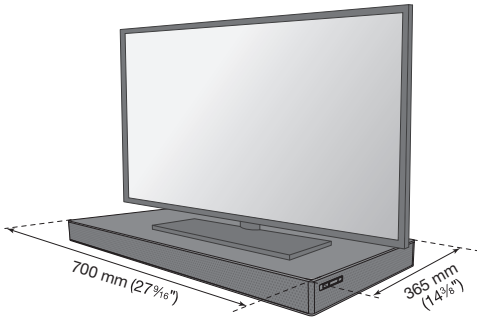
- This system may not function properly and troubles such as noise and sound jumps may arise due to radio wave interference if this unit is located too close to other Bluetooth® devices or the devices that use the 2.4 GHz band.
- This system may not function properly if radio waves from a nearby broadcasting station, etc. is too strong.

### Intended usage

- This system is for normal, general use only.
- Do not use this system near an equipment or in an environment that is sensitive to radio frequency interference (example: airports, hospitals, laboratories, etc.).

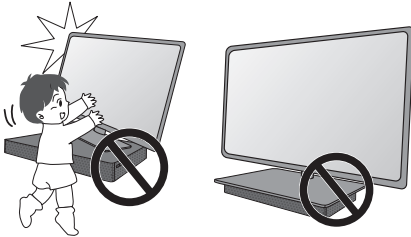
# Placement

When the TV is less than 50 kg (110.2 lbs), and the pedestal of the TV is within 700 mm (27 $\frac{5}{16}$ " ) (width) by 365 mm (14 $\frac{3}{8}$ " ) (depth), then you can put the TV on top of the system.



## CAUTION!

- Keep the TV within the distance of the system. Be careful not to tip over the TV as it can cause injury.



- Install the anti-tip device for your TV. For installation details, refer to the owner's manual for the TV. If your TV does not come with an anti-tip device, consult your dealer.
- Moving the TV on the surface of the system can scratch the system. Lift the TV when you need to move it.

Otherwise, put the system at the right side (recommended) of the TV or in a rack.



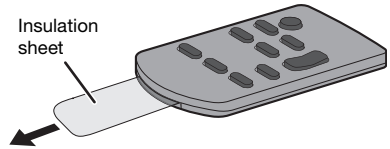
## Note:

- Do not put the system in a metal cabinet.
- Keep other 2.4 GHz frequency band electronic devices such as wireless router, cordless phone, etc. at least 2 m (6 $\frac{1}{2}$  ft) away from this system to avoid wireless interference.
- If uneven colors are displayed on the TV, turn off the TV for 30 minutes. If the demagnetizing of the TV does not correct the problem, increase the distance between this system and the TV.
- Keep magnetized items away from the system. Magnetized cards, watches, etc., can be damaged if it is too near to the system.

# Preparing the remote control

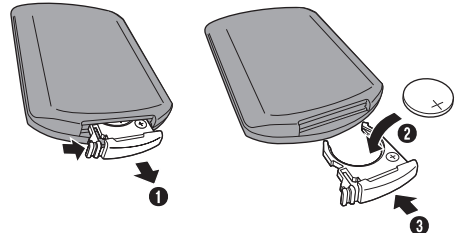
## Before using

Remove the insulation sheet.



## Replacing the battery

Replace with a new battery (CR2025 3V lithium battery).

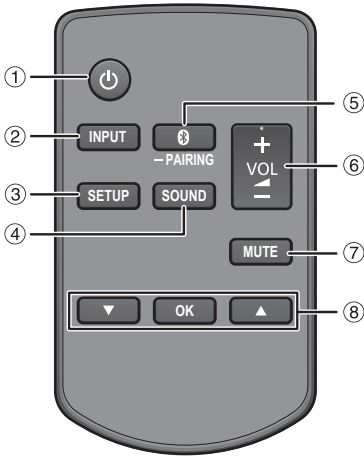


- 1 While pressing the stopper, pull out the battery holder.
- 2 Insert a new battery with the (+) side facing up.
- 3 Push back battery holder completely.

## CAUTION!

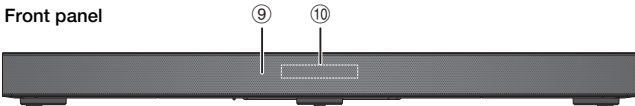
Keep the button-type battery out of reach of children to prevent swallowing.

# Overview of controls

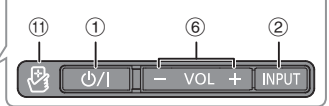


- ① **Standby/on switch** [⏻], [⏻/⏹]  
Press to turn the unit from on to standby mode or vice versa. In standby mode, the unit is still consuming a small amount of power.
- ② **Select input source**  
TV → BD/DVD → AUX → BLUETOOTH
- ③ **View setup menu**
- ④ **View sound menu**
- ⑤ **Select Bluetooth® mode**  
Start Bluetooth® pairing mode
- ⑥ **Adjust the volume of the system**
- ⑦ **Mute the sound of the system**  
To cancel, press the button again. "MUTE" is also canceled when you adjust the volume or when you turn off the system.
- ⑧ **Select and confirm the option**
- ⑨ **Remote control sensor**  
Distance: Within approximately 7 m (23 ft)  
Angle: Approximately 20° up and down, 30° left and right
- ⑩ **Display panel**
- ⑪ **NFC touch area**
- ⑫ **AC IN terminal**
- ⑬ **HDMI IN terminal (BD/DVD)**
- ⑭ **HDMI OUT terminal (ARC compatible)**
- ⑮ **DIGITAL AUDIO IN (TV) terminal**
- ⑯ **USB port (for service use only)**
- ⑰ **AUX IN terminal**

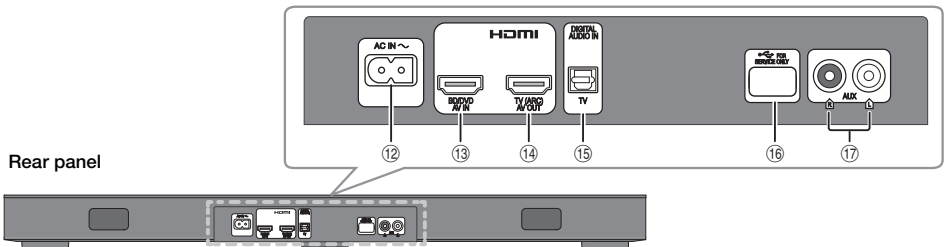
Front panel



Side view



Rear panel



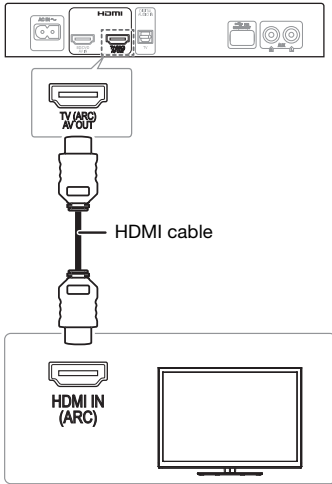
# Connections

Turn off all equipment before connecting. Components and cables are sold separately. Connect the AC power supply cord only after all the other connections have been made.

## Connecting the TV

### Connect an ARC compatible TV

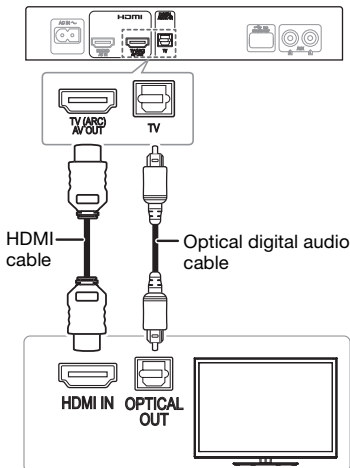
Connect an ARC compatible terminal of the TV with an ARC compatible high speed HDMI cable.



### ARC (Audio Return Channel)

ARC is an HDMI function that lets you enjoy both sound and TV pictures with one HDMI cable.

### Connect a non-ARC compatible TV

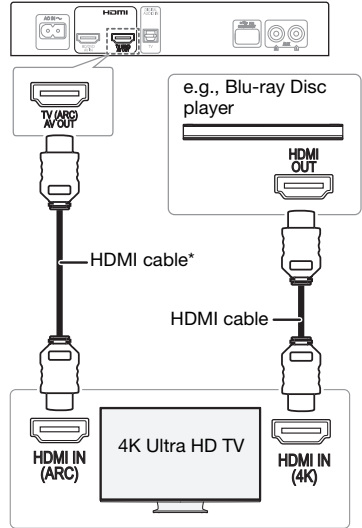


### Note:

The HDMI connection supports VIERA Link "HDAVI Control" when connected with a Panasonic TV (→ "Linked operations with the TV (VIERA Link™ "HDAVI Control™)").

## Connecting a 4K Ultra HD TV

The system cannot pass-through the 4K video signal of a 4K compatible equipment to a 4K Ultra HD TV. However, you can connect the system to a 4K Ultra HD TV to enjoy the 4K content.



\* Make sure to connect the HDMI cable to ARC compatible terminals.

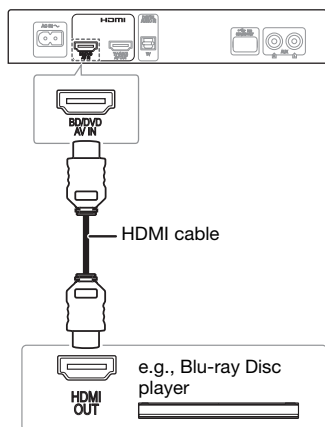
### Note:

- Refer to the operating instructions of the 4K Ultra HD TV (VIERA) and the 4K/60p compatible equipment for setup and for playing the 4K content.
- To enjoy multi-channel output from this system, set the audio output of other equipment to Bitstream.
- The audio signal input to this system is up to 5.1 channels.



## Connecting an HDMI compatible device

You can connect a Blu-ray Disc player or DVD player and listen to the audio through this system.



### HDMI standby pass-through

In standby mode, the audio and/or video signal from the connected device can be sent to the connected TV. No sound will be output from this system.

### 3D compatibility

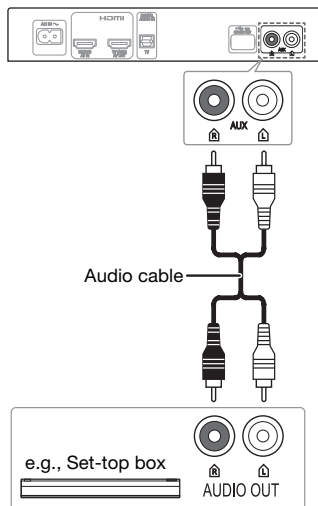
The system can pass through the 3D video signal of a 3D compatible Blu-ray Disc player to a FULL HD 3D TV.

### Note:

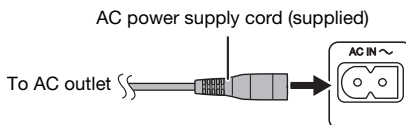
Refer to the operating instructions of the device for video and audio signal output settings.

## Connecting other equipment (AUX)

You can connect other equipment such as Blu-ray Disc players, DVD players, game consoles, set-top boxes, etc., and listen to the audio through this system.



## Connecting the AC power supply cord



Do not use an AC power supply cord from other equipment.

### Conserving power

The system consumes a small amount of power (→ "Specifications") when it is in standby mode. Disconnect the power supply cord if you do not use the system.

---

## Bluetooth® connection

You can connect and play an audio device wirelessly through Bluetooth®.

### Preparation

- Turn on the Bluetooth® feature on the device and place the device near the system.
- Press [⏻] to turn on the system.

## Pairing a device

- 1 Press [🔍] to select “BLUETOOTH”.**  
If “PAIRING” is shown, continue with step 3.
- 2 Press and hold [🔍] until “PAIRING” is shown.**
- 3 Select “SC-HTE180” from the Bluetooth® menu of the device.**  
If prompted for a passkey, input “0000”.  
The device connects with this system automatically after pairing is complete.  
The name of the connected device is shown for a few seconds.

### Note:

- A device must be paired to connect.
- You can pair up to 8 devices with this system.  
If a 9th device is paired, the device that has not been used the longest will be replaced.

## Connecting a paired device

### Preparation

If this system is connected to a Bluetooth® device, disconnect it (➡ see below).

- 1 Press [🔍] to enter Bluetooth® mode.**  
“BLUETOOTH READY” is shown.
- 2 Select “SC-HTE180” from the Bluetooth® menu of the device.**  
The name of the connected device is shown for a few seconds.

### Disconnecting a device

Press and hold [🔍] until “BLUETOOTH READY” is shown.

### Note:

- The system can only connect to one device at a time.
- When “BLUETOOTH” is selected as the source, this system will automatically try to connect to the last connected device.
- The Bluetooth® device will be disconnected when you select another source.

## One-Touch Connection (NFC)

### For NFC-compatible Android™ devices only

When you touch an NFC (Near Field Communication)-compatible Bluetooth® device on the NFC touch-area of this system, this system will automatically turn on, pair and connect to the Bluetooth® device.

### About NFC

NFC (Near Field Communication) is a short-range wireless technology that allows communication between NFC enabled devices with a touch.

### Preparation

- Download and install the free Android app “Panasonic Music Streaming” on Google Play™.
- Turn on “NFC” on your device.

- 1 Start the “Panasonic Music Streaming” app.**  
The application screen is shown. Follow the instructions to complete the settings.  
Make sure to use the latest version of the app.
- 2 Touch and hold your device on the NFC touch area of this system [🔍] until the Bluetooth® connection is done.**
  - The device will beep.
  - A pop-up window is shown on the device.
  - The name of the connected device is shown on the system.Once the registration and connection of the Bluetooth® device is complete, move the device away from the unit.
- 3 Start playback on your Bluetooth® device.**

### Connecting another device

While connected, you can connect to another Bluetooth® device by simply touching and holding it on the NFC touch area of this system. The previous device will be disconnected automatically.

## Basic controls

### Preparation

Turn on the TV and/or connected device.

- 1 Press [⏻] to turn on the system.
- 2 Press [INPUT] repeatedly to select the desired source.

→ TV → BD/DVD → AUX → BLUETOOTH →

- 3 Press [+VOL -] to adjust the volume of the system.

Volume range: 0 to 100

### When "BLUETOOTH" is selected as the source

Select this system as the output speaker from the menu of the connected Bluetooth® device.

### When "BD/DVD" is selected as the source

On the TV, select the corresponding input of the TV that is connected to this system.

## 3D sound

This system is enhanced with various 3D sound effects.

- **Dolby® Virtual Speaker**  
This effect provide a surround sound effect similar to 5.1ch.
- **3D Surround effect**  
Adding to the Dolby Virtual Speaker effect, Panasonic has applied his own sound field controlling technology to expand the sound field forwards, backwards, upwards and downwards, providing a sound with depth and force that better matches 3D images.
- **Clear-mode dialog**  
Sports commentary and dialogs from TV dramas are heard as if the sound is coming from the TV, giving the feeling that the sound and the image are one. Also, the dialog will stand out from the other sounds during normal volume playback and when the volume is lowered for night time viewing.

### Note:

Refer to Sound menu on changing the sound effects:

- Dolby Virtual Speaker effect is ON except in STEREO mode.
- To cancel the Dolby Virtual Speaker and 3D Surround effect, set "SOUND MODE" to "STEREO".
- To cancel the 3D Surround and Clear-mode dialog effects, set "3D CLR DIALOG" to "OFF".

## Sound menu

- 1 Press [SOUND] repeatedly to select the desired sound effect.
- 2 Press [▲, ▼] repeatedly to select the desired setting and then press [OK].

SOUND MODE	<p><b>STANDARD:</b> Best suited for dramas and comedy shows.</p> <p><b>STADIUM:</b> Produces a realistic sound for live sports broadcasts.</p> <p><b>MUSIC:</b> Enhance the sound of musical instruments and songs.</p> <p><b>CINEMA:</b> Produces three-dimensional sound unique to movies.</p> <p><b>NEWS:</b> Enhance the voice of news and sports commentaries.</p> <p><b>STEREO:</b> Play any source of sound in stereo.</p>
SUBWOOFER	<p>You can adjust the amount of bass. This system automatically selects the most suitable setting according to the type of playback source.</p> <p><b>LEVEL 1</b> <b>LEVEL 2:</b> Default for 2 channel audio source <b>LEVEL 3:</b> Default for multi-channel audio source <b>LEVEL 4</b></p> <p>The setting you make is retained and recalled every time you play the same type of source.</p>
DIALOG	<p>Adjust the dialog level.</p> <p><b>LEVEL 1</b> <b>LEVEL 2</b> <b>LEVEL 3</b> <b>LEVEL 4</b></p> <p>"DIALOG" is not shown when "3D CLR DIALOG" is set to "OFF".</p>
H.BASS	<p>Enhance the harmonic bass effect.</p> <p><b>ON</b> <b>OFF</b></p>
3D CLR DIALOG	<p>The 3D Clear Mode Dialog feature creates a sound field similar to the sound coming from a TV screen and makes dialogs clearer.</p> <p><b>ON:</b> 3D Surround, Clear-mode dialog and Dolby Virtual Speaker effect <b>OFF:</b> Dolby Virtual Speaker effect</p> <p>The setting is set back to "ON" every time you turn on the system.</p>
DUAL AUDIO	<p>Sets the preferred audio channel mode when there are two audio modes received by the unit.</p> <p><b>MAIN:</b> Main <b>SAP:</b> Secondary <b>MAIN+SAP:</b> Main + secondary</p> <p>This effect only works if the audio output of the TV or player is set to "Bitstream" and "Dolby Dual Mono" is available in the sound source.</p>

AGC	Auto gain control prevents sudden loud sound by reducing the sound level automatically when the input is too high. <u>ON</u> <u>OFF</u>
LOW VOL MODE	Enhance the dialog in low volume condition. <u>ON</u> <u>OFF</u> Select "OFF" to cancel this effect if the dialog does not sound natural in low volume condition.

**Note:**

The default setting is underlined. Changed settings will be kept until it is changed again, unless otherwise indicated.

## Audio format

You can view the current audio format.

Press and hold [SOUND] for a minimum of 4 seconds.

DOLBY DIGITAL	Dolby Digital is the audio source.
DTS	DTS is the audio source.
PCM MULTI	Linear pulse-code modulation is the audio source.
PCM	2 channel pulse-code modulation is the audio source.
ANALOG	Analog is the audio source.
SBC	Sub-band Coding is the audio source. (Bluetooth® mode only.)

## Setup Menu

- 1 Press [SETUP] repeatedly to select the setup item.
- 2 Press [▲, ▼] repeatedly to select the desired setting and then press [OK].

DIMMER	Dims the display panel after 5 seconds of inactivity. <u>ON</u> <u>OFF</u>
AUTO POWER DOWN	The system automatically turns off if there is no audio input and when you do not use it for 20 minutes. <u>ON</u> <u>OFF</u>
VOL LIMITATION	Sets the volume limit to 50 when you turn on the system although the volume is set to above 50 before it is turned off. <u>ON</u> <u>OFF</u>
BLUETOOTH STANDBY	This function allows you to connect a paired Bluetooth® device when this system is in standby mode. <u>ON</u> <u>OFF</u> The system will turn on automatically when you connect a paired Bluetooth® device.
LINK MODE	Change the Bluetooth® connection link mode to suit the connection type. Make sure to disconnect the current connected device ("BLUETOOTH READY" is shown). <u>MODE 1</u> : Emphasis on connectivity. <u>MODE 2</u> : Emphasis on sound quality.
VIERA LINK	Turn on the VIERA Link function. <u>ON</u> <u>OFF</u> Select "OFF" when your HDAVI Control device does not work correctly with this system. ARC will be disabled. Connect an optical digital audio cable. Turn off all connected devices and then turn them on again after changing the setting.

**Note:**

The default setting is underlined. Changed settings will be kept until it is changed again, unless otherwise indicated.

# Linked operations with the TV (VIERA Link™ “HDAVI Control™”)

## What is VIERA Link “HDAVI Control”?

VIERA Link™ is a new name for EZ Sync™. VIERA Link “HDAVI Control” is a convenient function that offers linked operations of this system, and a Panasonic TV (VIERA) under “HDAVI Control”. You can use this function by connecting the equipment with an HDMI cable. See the operating instructions for connected equipment for operational details.

### Preparation

- ① Confirm that the HDMI connection has been made.
- ② Set the “HDAVI Control” operations on the connected equipment (e.g., TV).
- ③ For the optimal “HDAVI Control” operations change the following settings on the connected TV.\*1
  - Set the default speaker settings to this system.\*2
  - Set the speaker selection settings to this system.
- ④ Turn on all “HDAVI Control” compatible equipment and select the TV’s input for this system so that the “HDAVI Control” function works properly.
- ⑤ If a device is connected to the HDMI IN terminal, start play to check that the picture is shown on the TV correctly.

When the connection or settings are changed, repeat this procedure.

\*1 The availability and function of the settings may vary depending on the TV. Refer to the operating instructions for the TV for details.

\*2 If the TV has a default speaker setting within the VIERA Link setting items, choosing this system as the default speaker will automatically change the speaker selection to this system.

### Note:

- VIERA Link “HDAVI Control”, based on the control functions provided by HDMI which is an industry standard known as HDMI CEC (Consumer Electronics Control), is a unique function that we have developed and added. As such, its operation with other manufacturers’ equipment that supports HDMI CEC cannot be guaranteed.
- This unit supports “HDAVI Control 5” function. “HDAVI Control 5” is the standard for Panasonic’s HDAVI Control compatible equipment. This standard is compatible with Panasonic’s conventional HDAVI equipment.
- Refer to individual manuals for other manufacturers’ equipment supporting VIERA Link function.

## What you can do with VIERA Link “HDAVI Control”

To make sure that the audio is output from this system, turn the main unit on by using the TV’s remote control and selecting home cinema from the speaker menu of VIERA Link menu.

The availability and function of the settings may vary depending on the TV. Refer to the operating instructions for the TV for details.

### Speaker control

You can select whether audio output is from this system or the TV speakers by using the TV menu settings.

#### Home theater

This system is active.

- When the main unit is in standby mode, changing the TV speakers to this system in the VIERA Link menu will automatically turn the main unit on.
- You can control the volume setting of this system using the volume or mute button on the TV remote control.
- If you turn off the main unit, TV speakers will be automatically activated.
- Audio will automatically be output from this system if the TV is compatible to VIERA Link “HDAVI Control 4” or later.

#### TV

TV speakers are active.

- The volume of this system is set to minimum.

### Automatic input switching

When the following operations are performed, the main unit will automatically change the input to the corresponding source.

- When play starts on an HDMI connected device.\*3
- When the TV input or the TV channel is changed.

\*3 If the speaker output setting on the TV is set to this system, the TV and the main unit turn on automatically (Power on link).

### Power off link

When the TV is turned off, the main unit also turns off automatically. (This function does not work when Bluetooth® is the source.)

### Automatic lip-sync function

(For HDAVI Control 3 or later)

Delay between audio and video is automatically adjusted by adding time-lag to the audio output, enabling you to enjoy smooth audio for the picture.

#### Note:

The delay information is automatically set if the TV is compatible to VIERA Link “HDAVI Control 3” or later and the VIERA Link is set to on.

# Troubleshooting

Before requesting service, make the following checks. If you are uncertain about some of the check points, or if the solutions indicated do not solve the problem, refer to "WARRANTY SERVICE" on page 17.

## Common problems

### No sound.

- Check the connections.
- Change the cables if the connections are correct.
- Increase the volume of the system.
- Check the audio output settings on the connected device.
- Turn off the connected device and then turn it on again.
- The system may be overheated. Turn off the system. Wait a few moments for system to cool down then turn the system on again. Turn down the volume to prevent overheating.
- Turn off the system, disconnect the HDMI cable, connect it again, and turn the system on again.
- If the system is connected to the TV with an HDMI cable only, make sure that the HDMI terminal of the TV is labelled "HDMI (ARC)". If not, connect an optical digital audio cable.
- If the system is connected to a Panasonic TV, try turning on this system by using the remote control of the TV.

### No operations can be done with the remote control.

- Remove the insulation sheet before you use the remote control for the first time.
- Examine that the battery is installed correctly.
- The battery is weak. Replace it with a new one.
- Set the remote control code again after replacing the battery.
- Change the code of the remote control to match the code shown on the main unit when they do not match (➡ "Remote control code").

### The system automatically switched to standby mode.

- You have turn on the "AUTO POWER DOWN" feature. The system automatically turns off if there is no audio input and when you do not use it for 20 minutes.
- You have turned the speaker's control to the TV's speakers. This is a feature of VIERA Link (HDAVI Control 4 or later). Refer to the TV's owner's manual for its power saving feature.

## HDMI

### This system does not operate correctly.

- Check the HDMI connections.
- Turn off the system, disconnect the AC power supply cord, disconnect the HDMI cable and re-connect.

### VIERA Link related operations no longer function correctly.

- Check the VIERA Link setting on the connected devices.
- Check the "VIERA LINK" setting of this system (➡ "Setup Menu").
- When the HDMI connections are changed, after a power failure or after the AC power supply cord has been removed, VIERA Link operations may not function properly.
  - Turn on all the devices that are connected to the TV with an HDMI cable and then turn on the TV.
  - Turn off the VIERA Link settings of the TV and then turn it on again. For details refer to the TV's owner's manual.
  - While the system and the TV are connected with an HDMI cable, turn on the TV, disconnect the AC power supply cord of this system and then re-connect.

### The first few seconds of audio cannot be heard when using the HDMI connection.

- This can occur during a DVD-Video chapter playback. Change the digital audio output setting on the connected device from "Bitstream" to "PCM".

### When operating an HDMI compatible device of a different brand, the system reacts in an unwanted manner.

- HDAVI Control commands can use a different signal depending on the device. In this case, set "VIERA LINK" to "OFF" (➡ "Setup Menu").

## Bluetooth®

### Pairing cannot be done.

- Check the Bluetooth® device status.
- The device is out of the 10 m (33 ft) communication range. Move the device closer to the system.

### The device cannot be connected.

- The pairing of the device was unsuccessful. Re-do pairing.
- The pairing of the device has been replaced. Re-do pairing.
- This system might be connected to a different device. Disconnect the other device and try re-pairing the device.

### The device is connected but audio cannot be heard through the system.

- For some built-in Bluetooth® devices, you have to set the audio output to "SC-HTE180" manually. Read the owner's manual of the device for details.

### Sound from the device is interrupted.

- The device is out of the 10 m (33 ft) communication range. Move the device closer to the system.
- Remove any interference between the system and the device.
- Other devices that use the 2.4 GHz frequency band (wireless router, microwaves, cordless phones, etc.) are interfering with the sound from the device. Move the device closer to the system and distance it from the other devices.
- Select "MODE 1" for stable communication.

### The one-touch connection (NFC) is not working.

- Make sure the NFC feature of the NFC-compatible device is turned on. Touch and hold the device to the NFC touch-area of this system again.

### Playback image and sound are not synchronized.

- Restart the playback app of the device.

## Main unit displays

### “F61”

- There is a problem with the amplifier of the system.
- Disconnect the AC power supply cord and consult the dealer.

### “F70 HDMI”

- Check HDMI connection.
- Turn off the system and then turn it on again.
- Disconnect the HDMI cable.

### “F76”

- There is a problem with the power supply.
- Disconnect the AC power supply cord and consult the dealer.

## System memory reset

Reset the memory when the following situations occur:

- There is no response when buttons are pressed.
- You want to clear and reset the memory contents.

**1** While the system is turned on, press and hold [⏻] on the main unit for a minimum of 4 seconds. “RESET” is shown.

**2** Release [⏻].

**3** Turn off the system and then turn it on again. All the settings are reset to the factory defaults.

#### Note:

The remote control code will set back to “REMOTE 1” after memory reset, refer “Remote control code” on how to change to “REMOTE 2”.

## Remote control code

When other Panasonic equipment responds to the remote control of this system, change the remote control code for this system.

### Preparation

- Turn off all other Panasonic products.
- Turn on this system.
- Aim the remote control at the remote control sensor of this system.

### To set the code to “REMOTE 2”

Press and hold [MUTE] and [OK] for a minimum of 4 seconds.

“REMOTE 2” is shown.

### To set the code to “REMOTE 1”

Press and hold [MUTE] and [▼] for a minimum of 4 seconds.

“REMOTE 1” is shown.

# Specifications

## Amplifier section

### RMS output power: Dolby Digital mode

Front Ch	30 W per channel (6 $\Omega$ ), 1 kHz, 10% THD
Subwoofer Ch	60 W per channel (3 $\Omega$ ), 100 Hz, 10% THD
Total RMS Dolby Digital mode power	120 W

### FTC output power: Dolby Digital mode

Front Ch	16 W per channel (6 $\Omega$ ), 170 Hz to 20 kHz, 1% THD
Subwoofer Ch	28 W per channel (3 $\Omega$ ), 45 Hz to 170 Hz, 1% THD
Total FTC Dolby Digital mode power	60 W

## Terminals section

### HDAVI Control

This unit supports "HDAVI Control 5" function

### HDMI AV input

Input connector	Type A (19 pin)
-----------------	-----------------

### HDMI AV output

Output connector	Type A (19 pin)
------------------	-----------------

### Digital audio input

Optical digital input	Optical terminal
Sampling frequency	32 kHz, 44.1 kHz, 48 kHz, 88.2 kHz, 96 kHz (only LPCM)
Audio format	Dolby Digital, DTS Digital Surround, LPCM

### Analog audio input

Audio input	Pin jack (1 system)
-------------	---------------------

### USB port

For service use only

## Bluetooth® section

Version	Bluetooth® Ver. 3.0
Class	Class 2
Supported profiles	A2DP
Operating frequency	2.4 GHz band FH-SS
Operation distance	10 m (33 ft) line of sight
Supported codec	SBC

## Speaker section

### Front speaker (built-in)

Type	1 way, 1 speaker system (bass reflex)
Speaker unit(s)	Full range 3.8 cm x 9 cm (1½" x 3½") cone type x 2

### Subwoofer (built-in)

Type	1 way, 2 speaker system (bass reflex)
Speaker unit(s)	Woofer 8 cm (3½") cone type x 2

## General

Power supply	AC 120 V, 60 Hz
Power consumption	27 W
Dimensions (W x H x D)	700 mm x 60 mm x 365 mm (27½" x 2½" x 14½")
Mass	4.5 kg (9.9 lbs)
Maximum loading weight	50.0 kg (110.2 lbs)
Operating temperature range	0°C to +40°C (+32°F to +104°F)
Operating humidity range	20% to 80% RH (no condensation)

**Power consumption in standby mode**  
(With "BLUETOOTH STANDBY" set to "OFF")

**0.2 W (approximate)**

### Note:

- Specifications are subject to change without notice. Mass (weight) and dimensions are approximate.
- Total harmonic distortion is measured by the digital spectrum analyzer.



# Limited Warranty

Panasonic Canada Inc.

5770 Ambler Drive, Mississauga, Ontario L4W 2T3

## PANASONIC PRODUCT – LIMITED WARRANTY

Panasonic Canada Inc. warrants this product to be free from defects in material and workmanship under normal use and for a period as stated below from the date of original purchase agrees to, at its option either (a) repair your product with new or refurbished parts, (b) replace it with a new or a refurbished equivalent value product, or (c) refund your purchase price. The decision to repair, replace or refund will be made by Panasonic Canada Inc.

Technics Audio Product	One (1) year, parts and labour
Panasonic BD/DVD Product	One (1) year, parts and labour
Panasonic Audio Receivers	One (1) year, parts and labour
Home Theater Systems Product	One (1) year, parts and labour

This warranty is given only to the original purchaser, or the person for whom it was purchased as a gift, of a Panasonic brand product mentioned above sold by an authorized Panasonic dealer in Canada and purchased and used in Canada, which product was not sold "as is", and which product was delivered to you in new condition in the original packaging.

**IN ORDER TO BE ELIGIBLE TO RECEIVE WARRANTY SERVICE HEREUNDER, A PURCHASE RECEIPT OR OTHER PROOF OF DATE OF ORIGINAL PURCHASE, SHOWING AMOUNT PAID AND PLACE OF PURCHASE IS REQUIRED**

### LIMITATIONS AND EXCLUSIONS

This warranty ONLY COVERS failures due to defects in materials or workmanship, and DOES NOT COVER normal wear and tear or cosmetic damage. The warranty ALSO DOES NOT COVER damages which occurred in shipment, or failures which are caused by products not supplied by Panasonic Canada Inc., or failures which result from accidents, misuse, abuse, neglect, mishandling, misapplication, alteration, faulty installation, set-up adjustments, misadjustment of consumer controls, improper maintenance, power line surge, lightning damage, modification, introduction of sand, humidity or liquids, commercial use such as hotel, office, restaurant, or other business or rental use of the product, or service by anyone other than an Authorized Servicer, or damage that is attributable to acts of God.

Dry cell batteries are also excluded from coverage under this warranty.

THIS EXPRESS, LIMITED WARRANTY IS IN LIEU OF ALL OTHER WARRANTIES, EXPRESS OR IMPLIED, INCLUDING ANY IMPLIED WARRANTIES OF MERCHANTABILITY AND FITNESS FOR A PARTICULAR PURPOSE. IN NO EVENT WILL PANASONIC CANADA INC. BE LIABLE FOR ANY SPECIAL, INDIRECT OR CONSEQUENTIAL DAMAGES RESULTING FROM THE USE OF THIS PRODUCT OR ARISING OUT OF ANY BREACH OF ANY EXPRESS OR IMPLIED WARRANTY. (As examples, this warranty excludes damages for lost time, travel to and from the Authorized Servicer, loss of or damage to media or images, data or other memory or recorded content. This list of items is not exhaustive, but for illustration only.)

In certain instances, some jurisdictions do not allow the exclusion or limitation of incidental or consequential damages, or the exclusion of implied warranties, so the above limitations and exclusions may not be applicable. This warranty gives you specific legal rights and you may have other rights which vary depending on your province or territory.

### WARRANTY SERVICE

For product operation, repairs and information assistance, please visit our Support page:

[www.panasonic.ca/english/support](http://www.panasonic.ca/english/support)

### **IF YOU SHIP THE PRODUCT TO A SERVICENTRE**

Carefully pack and send prepaid, adequately insured and preferably in the original carton.  
Include details of the defect claimed, and proof of date of original purchase.

– If you see this symbol –

**Information on Disposal in other Countries outside the European Union**



This symbol is only valid in the European Union.  
If you wish to discard this product, please contact your local authorities or dealer and ask for the correct method of disposal.

---

**Panasonic Canada Inc.**

5770 Ambler Drive  
Mississauga, Ontario  
L4W 2T3

[www.panasonic.com](http://www.panasonic.com)

© Panasonic Corporation 2014  
Printed in Malaysia



**RQT9964-C**  
L0514CH0

– Si ce symbole apparaît –

**Information sur la mise au rebut dans les pays  
n'appartenant pas à l'Union européenne**



Ce symbole est uniquement valide dans  
l'Union européenne.  
Si vous désirez mettre ce produit au rebut,  
contactez l'administration locale ou le  
revendeur et informez-vous de la bonne  
façon de procéder.

---

**Panasonic Canada Inc.**

5770 Ambler Drive  
Mississauga, Ontario  
L4W 2T3

[www.panasonic.com](http://www.panasonic.com)

© Panasonic Corporation 2014  
Imprimé en Malaisie



**RQT9964-C**  
L0514CH0

# Certificat de garantie limitée

Panasonic Canada Inc.

5770 Ambler Drive, Mississauga, Ontario L4W 2T3

FRANÇAIS

## PRODUIT PANASONIC – GARANTIE LIMITÉE

Panasonic Canada Inc. garantit que ce produit est exempt de défauts de matériaux et de main-d'œuvre dans un contexte d'utilisation normale pendant la période indiquée ci-après à compter de la date d'achat original et, dans l'éventualité d'une défectuosité, accepte, à sa discrétion, de (a) réparer le produit avec des pièces neuves ou remises à neuf, (b) remplacer le produit par un produit neuf ou remis à neuf d'une valeur équivalente ou (c) rembourser le prix d'achat. La décision de réparer, remplacer ou rembourser appartient à Panasonic Canada Inc.

Appareils audio Technics	Un (1) an, pièces et main-d'œuvre
Lecteurs BD/DVD Panasonic	Un (1) an, pièces et main-d'œuvre
Récepteurs audio Panasonic	Un (1) an, pièces et main-d'œuvre
Appareils cinéma maison Panasonic	Un (1) an, pièces et main-d'œuvre

La présente garantie n'est fournie qu'à l'acheteur original d'un des produits de marque Panasonic indiqués plus haut, ou à la personne l'ayant reçu en cadeau, vendu par un détaillant Panasonic agréé au Canada et utilisé au Canada. Le produit ne doit pas avoir été « vendu tel quel » et doit avoir été livré à l'état neuf dans son emballage d'origine.

**POUR ÊTRE ADMISSIBLE AUX SERVICES AU TITRE DE LA PRÉSENTE GARANTIE, LA PRÉSENTATION D'UN REÇU D'ACHAT OU DE TOUTE AUTRE PIÈCE JUSTIFICATIVE DE LA DATE D'ACHAT ORIGINAL, INDIQUANT LE MONTANT PAYÉ ET LE LIEU DE L'ACHAT, EST REQUISE.**

### **RESTRICTIONS ET EXCLUSIONS**

La présente garantie COUVRE SEULEMENT les défaillances attribuables à un défaut des matériaux ou à un vice de fabrication et NE COUVRE PAS l'usure normale ni les dommages esthétiques. La présente garantie NE COUVRE PAS NON PLUS les dommages subis pendant le transport, les défaillances causées par des produits non fournis par Panasonic Canada Inc. ni celles résultant d'un accident, d'un usage abusif ou impropre, de négligence, d'une maintenance inadéquate, d'une mauvaise application, d'une altération, d'une installation ou de réglages impropres, d'un mauvais réglage des contrôles de l'utilisateur, d'un mauvais entretien, d'une surtension temporaire, de la foudre, d'une modification, de la pénétration de sable, de liquides ou d'humidité, d'une utilisation commerciale (dans un hôtel, un bureau, un restaurant ou tout autre usage par affaires ou en location), d'une réparation effectuée par une entité autre qu'un centre de service Panasonic agréé ou encore d'une catastrophe naturelle.

Les piles sèches sont également exclues de la présente garantie.

CETTE GARANTIE LIMITÉE ET EXPRESSE REMPLACE TOUTE AUTRE GARANTIE, EXPRESSE OU IMPLICITE, INCLUANT LES GARANTIES IMPLICITES DU CARACTÈRE ADÉQUAT POUR LA COMMERCIALISATION ET UN USAGE PARTICULIER. PANASONIC CANADA INC. N'AURA D'OBLIGATION EN AUCUNE CIRCONSTANCE POUR TOUT DOMMAGE DIRECT, INDIRECT OU CONSÉCUTIF RÉSULTANT DE L'UTILISATION DE CE PRODUIT OU DÉCOULANT DE TOUTE DÉROGATION À UNE GARANTIE EXPRESSE OU IMPLICITE. (À titre d'exemples, cette garantie exclut les dommages relatifs à une perte de temps, le transport jusqu'à et depuis un centre de service agréé, la perte ou la détérioration de supports ou d'images, de données ou de tout autre contenu en mémoire ou enregistré. Cette liste n'est pas exhaustive et n'est fournie qu'à des fins explicatives.)

Certaines juridictions ne reconnaissent pas les exclusions ou limitations de dommages indirects ou consécutifs, ou les exclusions de garanties implicites. Dans de tels cas, les limitations stipulées ci-dessus peuvent ne pas être applicables. La présente garantie vous confère des droits précis; vous pourriez aussi avoir d'autres droits pouvant varier selon votre province ou territoire de résidence.

### **SERVICE SOUS GARANTIE**

Pour tout renseignement sur les produits, réparation ou assistance technique, veuillez visiter notre page Soutien :

[www.panasonic.ca/french/support](http://www.panasonic.ca/french/support)

### **EXPÉDITION D'UN PRODUIT À UN CENTRE DE SERVICE**

Emballer soigneusement, de préférence dans son carton d'origine, et expédiez, franco de port, suffisamment assuré. Accompagnez le tout d'une description de la défectuosité présumée et d'une pièce justificative de la date d'achat original.

# Spécifications

## Section amplificateur

### Puissance de sortie efficace : Mode Dolby Digital

Canal avant	30 W par canal (6 Ω), 1 kHz, 10 % DHT
Canal d'extrêmes-graves	60 W par canal (3 Ω), 100 Hz, 10 % DHT
Puissance eff. totale en mode Dolby Digital	120 W

### Puissance de sortie FTC : Mode Dolby Digital

Canal avant	16 W par canal (6 Ω), 170 Hz à 20 kHz, 1 % DHT
Canal d'extrêmes-graves	28 W par canal (3 Ω), 45 Hz à 170 Hz, 1 % DHT
Puissance totale FTC en mode Dolby Digital	60 W

## Section prises

**HDAVI Control** Cet appareil prend en charge la fonction « HDAVI Control 5 »

**Entrée AV HDMI**  
Connecteur d'entrée Type A (19 broches)

**Sortie AV HDMI**  
Connecteur de sortie Type A (19 broches)

**Entrée audio analogique**  
Entrée numérique optique Borne optique  
Fréquence d'échantillonnage 32 kHz, 44,1 kHz, 48 kHz  
88,2 kHz, 96 kHz (LPCM seulement)  
Format audio Dolby Digital, DTS Digital Surround, LPCM

**Entrée audio analogique**  
Entrée audio Prise à broches (1 système)

**Port USB** Pour le service technique seulement

## Section Bluetooth®

Version Bluetooth® Ver. 3.0  
Classe Classe 2  
Profils pris en charge A2DP  
Fréquence de fonctionnement Bande 2,4 GHz FH-SS  
Aire de fonctionnement 10 m (33 pi) Observation directe  
Codec pris en charge SBC

## Section haut-parleurs

### Haut-parleurs avant (intégrés)

Type 1 voie, 1 haut-parleur (évent réflex)  
Haut-parleur(s)  
Pleine gamme  
3,8 cm x 9 cm (1½ po x 3½ po) de type cône x 2

### Haut-parleurs d'extrêmes-graves avec amplificateur (intégrés)

Type 1 voie, 2 haut-parleurs (évent réflex)  
Haut-parleur(s)  
Graves 8 cm (3¼ po) de type cône x 2

## Données générales

Alimentation 120 V a.c., 60 Hz  
Consommation 27 W  
Dimensions (L x H x P) 700 mm x 60 mm x 365 mm  
(27¼ po x 2¼ po x 14¼ po)  
Poids 4,5 kg (9,9 lb)  
Poids de chargement maximum 50,0 kg (110,2 lb)  
Température de fonctionnement 0 °C à +40 °C  
(+32 °F à +104 °F)

**Hygrométrie**  
Humidité relative de 20 % à 80 % (sans condensation)

<b>Consommation en mode attente</b> (Avec « BLUETOOTH STANDBY » réglé sur « OFF ») <b>0,2 W (environ)</b>
---

### Nota :

- Données sous réserve de modifications.
- Le poids et les dimensions sont approximatifs.
- Distorsion harmonique totale mesurée avec spectroscope numérique.

Les opérations associées à VIERA Link ne fonctionnent plus correctement.

- Vérifier le paramètre VIERA Link sur les dispositifs connectés.
- Vérifier le paramètre « VIERA LINK » de cet appareil (➔ « Menu de configuration »).
- Lorsque les connexions HDMI sont modifiées, après une coupure de courant ou lorsque le cordon d'alimentation a été débranché, les opérations liées à VIERA Link peuvent ne pas s'effectuer adéquatement.
  - Mettre en marche tous les dispositifs raccordés au téléviseur par câble HDMI et remettre le téléviseur en marche.
  - Désactiver les paramètres VIERA Link du téléviseur et les réactiver. Pour en savoir plus, se référer au mode d'emploi du téléviseur.
  - Alors que l'appareil et le téléviseur sont raccordés par un câble HDMI, mettre le téléviseur en marche, débrancher le cordon d'alimentation secteur de cet appareil et le rebrancher.

Pendant les quelques premières secondes, le son ne s'entend pas si un raccordement HDMI est utilisé.

- Cela peut se produire au cours de la lecture d'un chapitre de DVD vidéo. Changer le réglage de sortie audio numérique du dispositif connecté en remplaçant « Bitstream » par « PCM ».

Si un dispositif compatible avec HDMI de marque différente est utilisé, l'appareil réagit de manière intempestive.

- Les commandes HDAVI Control peuvent utiliser un signal différent en fonction du dispositif. Dans ce cas, régler « VIERA LINK » sur « OFF » (➔ « Menu de configuration »).

## Bluetooth®

Le pairage n'est pas possible

- Vérifier l'état du dispositif Bluetooth®.
- Le dispositif est à une distance plus grande que le rayon d'action de 10 m (33 pi). Le rapprocher de l'appareil.

La connexion du dispositif n'est pas possible.

- Le pairage a échoué. Recommencer le pairage.
- Le pairage du dispositif a été remplacé par un autre. Recommencer le pairage.
- Cet appareil est peut-être connecté à un dispositif différent. Déconnecter l'autre dispositif et essayer de l'appairer à nouveau.

Le dispositif est connecté mais aucun son n'est entendu sur l'appareil.

- Dans le cas de certains dispositifs Bluetooth®, il est nécessaire de régler manuellement la sortie audio sur « SC-HTE180 ». Pour de plus amples détails, se reporter à la notice d'utilisation du dispositif.

Le son en provenance du dispositif est intermittent.

- Le dispositif est à une distance plus grande que le rayon d'action de 10 m (33 pi). Le rapprocher de l'appareil.
- Éliminer tout obstacle qu'il pourrait y avoir entre la chaîne et le dispositif.
- D'autres dispositifs utilisant la bande de fréquence 2,4 GHz (routeur sans fil, micro-ondes, téléphones sans fil, etc.) créent des interférences. Rapprocher le dispositif de l'appareil et l'éloigner des autres dispositifs.
- Pour assurer une communication stable, sélectionner « MODE 1 ».

La connexion par simple contact (NFC) ne fonctionne pas.

- Vérifier que la fonction NFC est activée sur le dispositif compatible avec NFC. Remettre le dispositif en contact avec la zone NFC de cet appareil.

L'image et le son à lire ne sont pas synchronisés.

- Redémarrer l'application de lecture du dispositif.

## Messages affichées

« F61 »

- Il y a un problème avec l'amplificateur de l'appareil.
- Débrancher le cordon d'alimentation secteur et consulter le revendeur.

« F70 HDMI »

- Vérifier le raccordement HDMI.
- Mettre l'appareil hors marche, puis le remettre en marche.
- Débrancher le câble HDMI.

« F76 »

- Il y a un problème d'alimentation électrique.
- Débrancher le cordon d'alimentation secteur et consulter le revendeur.

## Réinitialisation de la mémoire système

Réinitialiser la mémoire dans les situations suivantes :

- Absence de réponse aux pressions sur les touches.
- Pour vider la mémoire et en réinitialiser le contenu.

**1** Lorsque le système est en marche, appuyer et maintenir la touche [⏏] de l'appareil principal enfoncée pendant au moins 4 secondes. « RESET » est affiché.

**2** Relâcher [⏏].

**3** Mettre l'appareil hors marche, puis le remettre en marche. Tous les paramétrages sont remis à leur valeur par défaut.

Nota :

Le code de télécommande sera de nouveau « REMOTE 1 » après réinitialisation de la mémoire, référez-vous à « Code de télécommande » pour savoir comment passer à « REMOTE 2 ».

## Code de télécommande

Si d'autres appareils Panasonic réagissent au signal de la télécommande, changer le code sur cet appareil.

Préparatifs

- Mettre hors marche tous les autres produits Panasonic.
- Mettre cet appareil en marche.
- Pointer la télécommande vers le capteur de la télécommande de cet appareil.

## Réglage du code « REMOTE 2 »

Maintenir les touches [MUTE] et [OK] enfoncées pendant au moins 4 secondes. « REMOTE 2 » est affiché.

## Réglage du code « REMOTE 1 »

Maintenir les touches [MUTE] et [▼] enfoncées pendant au moins 4 secondes. « REMOTE 1 » est affiché.

## Fonction de synchronisation automatique

(Pour HDAVI Control 3 ou ultérieur)

Le délai entre les signaux audio et vidéo est automatiquement ajusté en ajoutant un délai à la sortie audio, ce qui permet de tirer profit d'un signal sonore accordé à l'image.

### Nota :

L'information de délai est réglée automatiquement si le téléviseur est compatible avec VIERA Link « HDAVI Control 3 » ou ultérieur et si la fonction VIERA Link est activée.

## Dépannage

Avant d'appeler un centre de service, faire les vérifications décrites ci-dessous. En cas de doute sur certains des points de vérification, ou si les solutions proposées dans ce guide ne règlent pas le problème, se reporter à la section « SERVICE SOUS GARANTIE » à la page page 17.

### Problèmes communs

#### Absence de son.

- Vérifier les raccordements.
- Si les raccordements sont corrects, changer les câbles.
- Monter le volume.
- Vérifier les réglages de sortie audio du dispositif connecté.
- Mettre le dispositif connecté hors marche et le remettre en marche.
- L'appareil est peut-être en surchauffe. Mettre l'appareil hors marche. Attendre le refroidissement de l'appareil pendant quelques instants puis remettre l'appareil en marche. Réduire le volume pour éviter la surchauffe.
- Mettre l'appareil hors marche, débrancher le câble HDMI et le rebrancher, puis remettre l'appareil en marche.
- Si l'appareil est raccordé au téléviseur avec un câble HDMI seulement, vérifier que la borne HDMI du téléviseur est étiquetée « HDMI (ARC) ». Si ce n'est pas le cas, raccorder un câble audio numérique optique.
- Si l'appareil est connecté à un téléviseur Panasonic, essayer de mettre cet appareil en marche en utilisant la télécommande du téléviseur.

#### Aucune fonctionnalité ne peut être pilotée au moyen de la télécommande.

- Retirer le feuillet protecteur avant d'utiliser la télécommande.
- Vérifier la mise en place de la pile.
- La pile est faible. La remplacer.
- Définir à nouveau le code de la télécommande après avoir remplacé la pile.
- Changer le code de la télécommande pour qu'il corresponde au code affiché sur l'appareil principal s'ils ne correspondent pas (➡ « Code de télécommande »).

#### L'appareil passe automatiquement en mode veille.

- Vous devez activer la fonction « AUTO POWER DOWN ». Cet appareil se met automatiquement hors marche en l'absence d'entrée audio et si vous ne l'utilisez pas depuis 20 minutes
- Vous avez passé le contrôle des haut-parleurs sur ceux du téléviseur. Il s'agit d'une fonction de VIERA Link (HDAVI Control 4 ou ultérieur). Se référer aux instructions de fonctionnement du téléviseur pour plus de détails sur sa fonction d'économie d'énergie.

### HDMI

#### Cet appareil ne fonctionne pas correctement.

- Vérifier les raccordements HDMI.
- Mettre l'appareil hors marche, débrancher le cordon d'alimentation secteur, débrancher le câble HDMI et le rebrancher.

# Opérations liées avec le téléviseur (VIERA Link™ « HDAVI Control™ »)

Qu'est-ce que la fonction VIERA Link « HDAVI Control » ?

L'appellation EZ Sync™ est maintenant remplacée par VIERA Link™.

Il s'agit d'une fonction pratique qui permet de lier le pilotage des opérations sur cet appareil et un téléviseur Panasonic (VIERA) sous la fonction « HDAVI Control ».

Il est possible d'utiliser cette fonction en raccordant ces appareils au moyen d'un câble HDMI. Pour plus de détails, se reporter au manuel d'utilisation de chaque appareil utilisé.

## Préparatifs

- ① Vérifier que la connexion HDMI a été établie.
- ② Régler les opérations « HDAVI Control » sur l'équipement raccordé (Ex. : téléviseur).
- ③ Pour des opérations optimales « HDAVI Control », changer les réglages suivants sur le téléviseur raccordé.\*1
  - Commuter les réglages par défaut du haut-parleur sur cet appareil.\*2
  - Commuter les réglages de sélection du haut-parleur sur cet appareil.
- ④ Mettre en marche tous les appareils compatibles avec « HDAVI Control » et sélectionner l'entrée télé pour cet appareil de manière que la fonction de « HDAVI Control » fonctionne adéquatement.
- ⑤ Si un dispositif est connecté à la prise HDMI IN, lancer la lecture afin de vérifier que l'image est correctement affichée à l'écran du téléviseur.

Recommencer cette procédure si la connexion ou les réglages sont modifiés.

\*1 La disponibilité et la fonction des paramètres peuvent varier selon le téléviseur. Consulter le manuel d'utilisation du téléviseur pour plus de détails.

\*2 Si le téléviseur a un réglage du haut-parleur par défaut parmi les rubriques de réglage VIERA Link, choisir cet appareil comme haut-parleur par défaut commutera automatiquement la sélection du haut-parleur sur cet appareil.

### Nota :

- La fonction VIERA Link « HDAVI Control », basée sur les fonctions de pilotage fournies par HDMI qui est une norme de l'industrie aussi connue sous le nom de HDMI CEC (Consumer Electronics Control/Comité des télécommunications et de l'électronique), est une fonction unique que nous avons développée et ajoutée à nos appareils. De ce fait, son pilotage avec les appareils d'autres fabricants qui prennent en charge HDMI CEC n'est pas garanti.
- Cet appareil prend en charge la fonction « HDAVI Control 5 ». « HDAVI Control 5 » est la norme pour les appareils compatibles avec HDAVI Control de Panasonic. Cette norme est compatible avec les appareils HDAVI traditionnels de Panasonic.
- Se rapporter aux manuels afférents à l'équipement utilisé prenant en charge la fonction VIERA Link.

## Opérations possibles avec VIERA Link « HDAVI Control »

Pour s'assurer que le signal audio est reproduit sur cet appareil, mettre l'appareil principal en marche au moyen de la télécommande du téléviseur et sélectionner la fonction cinéma maison dans le menu de sélection des enceintes du menu VIERA Link.

La disponibilité et la fonctionnalité des réglages peuvent varier selon le téléviseur. Consulter le manuel d'utilisation du téléviseur pour plus de détails.

### ■ Contrôle des haut-parleurs

Il est possible de choisir, à partir du menu des paramètres du téléviseur, quels haut-parleurs sont en circuit, ceux du téléviseur ou ceux de cet appareil.

#### Cinéma maison

Les haut-parleurs de cet appareil sont activés.

- Lorsque l'appareil principal est dans le mode veille, activer les haut-parleurs de cet appareil à partir du menu des paramètres du menu VIERA Link a pour effet de mettre automatiquement l'appareil principal en marche.
- Il est possible de régler le volume sur cet appareil en utilisant la touche volume ou sourdine (MUTE) de la télécommande.
- Lorsque l'appareil principal est mis hors marche, les haut-parleurs du téléviseur sont automatiquement activés.
- Le signal audio est automatiquement restitué par cet appareil si le téléviseur est compatible avec « HDAVI Control 4 » VIERA Link ou une version subséquente.

#### Téléviseur

Les haut-parleurs du téléviseur sont activés.

- Le volume sur cet appareil est réglé à son minimum.

### ■ À propos de la commutation du signal d'entrée

Lorsque les opérations suivantes sont effectuées, l'appareil principal commute automatiquement le signal d'entrée sur la source correspondante.

- Lorsque la lecture est lancée sur un appareil connecté par câble HDMI.\*3
- Lors du changement de l'entrée télé ou de canal.

\*3 Si cet appareil a été sélectionné comme sortie audio sur le téléviseur, le téléviseur et l'appareil principal sont automatiquement mis en marche (Lien en marche).

### ■ Lien hors marche

Lorsque le téléviseur est mis hors marche, l'appareil principal est aussi mis hors marche automatiquement. (Cette fonction n'est pas disponible lorsque la source est Bluetooth®.)



DUAL AUDIO	Définit le mode de canal audio favori lorsque deux modes audio sont reçus par l'appareil. <b>MAIN</b> : Principal <b>SAP</b> : Secondaire <b>MAIN+SAP</b> : Principal + secondaire Cet effet ne fonctionne que si la sortie audio du téléviseur ou du lecteur est réglée sur « Bitstream » et si « Dolby Dual Mono » est disponible dans la source sonore.
AGC	Le contrôle automatique du gain évite les sons soudainement forts en réduisant automatiquement le niveau sonore lorsque l'entrée est trop puissante. <b>ON</b> <b>OFF</b>
LOW VOL MODE	Améliore les dialogues en cas de volume faible. <b>ON</b> <b>OFF</b> Sélectionner « OFF » pour annuler cet effet si les dialogues ne semblent pas naturels en cas de volume faible.

**Nota :**

Le réglage par défaut est souligné. Sauf indication contraire, les réglages modifiés seront conservés jusqu'à une prochaine modification.

## Format audio

Vous pouvez visualiser le format audio en cours.

**Maintenir la touche [SOUND] enfoncée pendant au moins 4 secondes.**

DOLBY DIGITAL	Dolby Digital est la source audio.
DTS	DTS est la source audio.
PCM MULTI	La modulation linéaire par impulsions codées est la source audio.
PCM	La modulation 2 canaux par impulsions codées est la source audio.
ANALOG	L'analogique est la source audio.
SBC	Le codage en sous-bande est la source audio. (Mode Bluetooth® uniquement.)

## Menu de configuration

- Appuyer à plusieurs reprises sur [SETUP] pour sélectionner l'élément à configurer.
- Appuyer à plusieurs reprises sur [▲, ▼] pour sélectionner le réglage souhaité et appuyer sur [OK].

DIMMER	Atténue l'afficheur au bout de 5 secondes d'inactivité. <b>ON</b> <b>OFF</b>
AUTO POWER DOWN	Cet appareil est mis hors marche automatiquement en l'absence d'entrée audio et si vous ne l'utilisez pas depuis 20 minutes. <b>ON</b> <b>OFF</b>
VOL LIMITATION	Règle la limite de volume à 50 lorsque vous mettez l'appareil en marche même si le volume été réglé au-dessus de 50 avant d'avoir été mis hors marche. <b>ON</b> <b>OFF</b>
BLUETOOTH STANDBY	Cette fonction vous permet de connecter un dispositif apparié Bluetooth® lorsque l'appareil est en mode veille. <b>ON</b> <b>OFF</b> Cet appareil se met en marche automatiquement lorsque vous connecter un dispositif Bluetooth® apparié.
LINK MODE	Change le mode de liaison de la connexion Bluetooth® pour l'adapter au type de connexion. Veiller à déconnecter le dispositif actuellement connecté (« BLUETOOTH READY » s'affiche). <b>MODE 1</b> : Accent sur la connectivité. <b>MODE 2</b> : Accent sur la qualité sonore.
VIERA LINK	Active la fonction VIERA Link. <b>ON</b> <b>OFF</b> Sélectionner « OFF » si votre dispositif HDAVI Control ne fonctionne pas correctement avec cet appareil. La fonction ARC est désactivée. Raccorder un câble audio numérique optique. Mettre hors marche tous les dispositifs connectés et les remettre en marche après avoir modifié le réglage.

**Nota :**

Le réglage par défaut est souligné. Sauf indication contraire, les réglages modifiés seront conservés jusqu'à une prochaine modification.

# Commandes de base

## Préparatifs

Mettre le téléviseur et/ou le dispositif connecté en marche.

- 1 Appuyer sur [⏻] pour mettre l'appareil en marche.
- 2 Appuyer à plusieurs reprises sur [INPUT] pour sélectionner la source.  
 → TV → BD/DVD → AUX → BLUETOOTH →
- 3 Appuyer sur [+ VOL -] pour ajuster le volume de l'appareil.  
 Plage de volume : 0 à 100

Si la source sélectionnée est « BLUETOOTH »

Sélectionner cet appareil en tant qu'enceinte de sortie depuis le menu du dispositif Bluetooth® connecté.

Si la source sélectionnée est « BD/DVD »

Sur le téléviseur, sélectionner l'entrée correspondante du téléviseur connecté à cet appareil.

# Rendu sonore 3D

Cette chaîne est améliorée avec divers effets 3D.

- **Haut-parleur virtuel Dolby®**  
 Cet effet fournit un effet sonore ambiophonique similaire au 5.1 canaux.
- **Effet ambiophonique 3D**  
 En plus de l'effet de haut-parleur virtuel Dolby, Panasonic fait appel à sa propre technologie de contrôle du champ sonore pour étendre le champ sonore dans tous les sens pour conférer au rendu une profondeur et une puissance mieux adaptées aux images 3D.
- **Mode de dialogues clairs**  
 Les commentaires sportifs et les dialogues des films télévisés s'entendent comme si le son venait du téléviseur, donnant le sentiment que le son et l'image ne font qu'un.  
 En outre, le dialogue se détache des autres sons pendant la lecture à un volume normal et lorsque le volume est baissé durant la nuit.

## Nota :

Se référer au menu du son pour modifier les effets sonores :

- L'effet de haut-parleur virtuel Dolby est activé, sauf en mode STEREO.
- Pour annuler l'effet de haut-parleur virtuel Dolby et ambiophonique 3D, régler « SOUND MODE » sur « STEREO ».
- Pour annuler les effets ambiophonique 3D et de dialogues clairs, régler « 3D CLR DIALOG » sur « OFF ».

# Menu du son

- 1 Appuyer à plusieurs reprises sur [SOUND] pour sélectionner un effet sonore.
- 2 Appuyer à plusieurs reprises sur [▲, ▼] pour sélectionner le réglage souhaité et appuyer sur [OK].

SOUND MODE	<p><b>STANDARD</b> : particulièrement adapté au théâtre et aux spectacles.</p> <p><b>STADIUM</b> : produit un son réaliste pour les émissions sportives en direct.</p> <p><b>MUSIC</b> : renforce le son des instruments de musique et des chansons.</p> <p><b>CINEMA</b> : produit un son en trois dimensions unique pour les films.</p> <p><b>NEWS</b> : améliore la voix des journalistes et commentateurs sportifs.</p> <p><b>STEREO</b> : lit n'importe quelle source sonore en stéréo.</p>
SUBWOOFER	<p>Il est possible de régler le niveau des graves. Cet appareil sélectionne automatiquement le paramètre le mieux adapté en fonction du type de la source de lecture.</p> <p><b>LEVEL 1</b>  <b>LEVEL 2</b> : Par défaut pour une source audio 2 canaux  <b>LEVEL 3</b> : Par défaut pour une source audio multicanal  <b>LEVEL 4</b></p> <p>Le paramétrage effectué est conservé et sera rappelé chaque fois que vous utiliserez le même type de source.</p>
DIALOG	<p>Ajuste le niveau de dialogue.</p> <p><b>LEVEL 1</b>  <b>LEVEL 2</b>  <b>LEVEL 3</b>  <b>LEVEL 4</b></p> <p>« DIALOG » ne s'affiche pas lorsque « 3D CLR DIALOG » est réglé sur « OFF ».</p>
H.BASS	<p>Améliore l'effet des graves harmoniques.</p> <p><b>ON</b>  <b>OFF</b></p>
3D CLR DIALOG	<p>La fonction de mode dialogue clair 3D (3D CLR DIALOG) crée un champ sonore similaire au son provenant d'un écran de téléviseur et rend les dialogues plus clairs.</p> <p><b>ON</b> : Effet ambiophonique 3D, mode dialogue clair et haut-parleur virtuel Dolby  <b>OFF</b> : Effet de haut-parleur virtuel Dolby</p> <p>Le réglage est remis sur « ON » à chaque fois que vous mettez l'appareil en marche.</p>

## Connexion Bluetooth®

Vous pouvez connecter et lire un dispositif audio sans fil via Bluetooth®.

### Préparatifs

- Activer la fonction Bluetooth® du dispositif et approcher le dispositif du système.
- Appuyer sur [⏻] pour mettre l'appareil en marche.

## Appairage d'un dispositif

- 1 Appuyer sur [Ⓜ] et sélectionner « BLUETOOTH ».**  
Si « PAIRING » s'affiche, passer à l'étape 3.
- 2 Appuyer et maintenir [Ⓜ] enfoncée jusqu'à ce que « PAIRING » s'affiche.**
- 3 Sélectionner « SC-HTE180 » dans le menu Bluetooth® du dispositif.**  
Si un message demande à entrer un mot de passe, entrer « 0000 ».  
Une fois le pairage effectué, le dispositif est connecté à l'appareil.  
Le nom du dispositif connecté s'affiche pendant quelques secondes.

### Nota :

- Pour qu'il y ait connexion, le dispositif doit avoir été païré.
- Il est possible de païrer jusqu'à 8 dispositifs auprès de cette appareil.  
Si un 9<sup>e</sup> dispositif est apparié, le dispositif resté le plus longtemps inutilisé est remplacé.

## Connexion d'un dispositif apparié

### Préparatifs

Si cet appareil est connecté à un dispositif Bluetooth®, le déconnecter (➔ voir ci-dessous).

- 1 Appuyer sur [Ⓜ] pour entrer en mode Bluetooth®.**  
« BLUETOOTH READY » est affiché.
- 2 Sélectionner « SC-HTE180 » dans le menu Bluetooth® du dispositif.**  
Le nom du dispositif connecté s'affiche pendant quelques secondes.

### Déconnexion d'un dispositif

Appuyer et maintenir [Ⓜ] enfoncée jusqu'à ce que « BLUETOOTH READY » s'affiche.

### Nota :

- Cet appareil ne peut être connectée qu'à un seul dispositif à la fois.
- Si la source « BLUETOOTH » est sélectionnée, cet appareil essaie automatiquement de se connecter au dernier dispositif connecté.
- Le dispositif Bluetooth® se déconnecte lorsque vous sélectionnez une autre source.

## Connexion par simple contact (NFC)

Pour les dispositifs Android™ compatibles avec NFC uniquement

Dès que vous mettez un dispositif Bluetooth® compatible avec NFC (Near Field Communication/communication en champ proche) en contact avec la zone NFC de cet appareil, ce dernier se met en marche, s'apparie et se connecte automatiquement au dispositif Bluetooth®.

### À propos de la fonction NFC

La fonction NFC (Near Field Communication) est une technologie sans fil de courte portée qui permet la communication entre les dispositifs NFC par un simple contact.

### Préparatifs

- Télécharger et installer l'application gratuite « Panasonic Music Streaming » d'Android depuis Google Play™.
- Activer la fonction « NFC » sur votre dispositif.

- 1 Démarrer l'application « Panasonic Music Streaming ».**  
L'écran de l'application s'affiche. Suivre les instructions pour effectuer les réglages.  
S'assurer d'utiliser la dernière version de l'application.
- 2 Toucher et maintenir votre dispositif sur la zone de contact NFC de cet appareil [Ⓜ] jusqu'à ce que la connexion Bluetooth® soit établie.**
  - L'appareil émet un bip.
  - Une fenêtre contextuelle s'affiche sur le dispositif.
  - Le nom du dispositif connecté s'affiche sur l'appareil.Une fois l'enregistrement et la connexion du dispositif Bluetooth® terminés, éloigner le dispositif de l'appareil.
- 3 Lancer la lecture sur votre dispositif Bluetooth®.**

### Connexion d'un autre dispositif

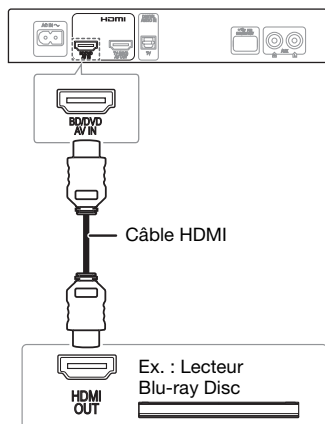
Si un dispositif Bluetooth® est déjà connecté, vous pouvez en connecter un autre en le mettant en contact avec la zone NFC de cet appareil. Le dispositif précédent est automatiquement déconnecté.

**Nota :**

- Se référer au mode d'emploi du téléviseur 4K ultra HD (VIERA) et de l'équipement compatible avec la 4K/60p pour la configuration et pour la lecture du contenu 4K.
- Pour profiter de la sortie multicanal de cet appareil, régler la sortie audio de l'autre équipement sur « Bitstream ».
- L'entrée du signal audio dans cet appareil peut aller jusqu'à 5.1 canaux.

## Connexion d'un dispositif compatible avec HDMI

Vous pouvez connecter un lecteur de disques Blu-ray, un lecteur de DVD, etc., et écouter de l'audio grâce à cet appareil.



### Passage du signal HDMI en mode veille

En mode veille, le signal audio et/ou vidéo du dispositif connecté peut être envoyé au téléviseur connecté. Aucun son n'est émis par cet appareil.

### Compatibilité 3D

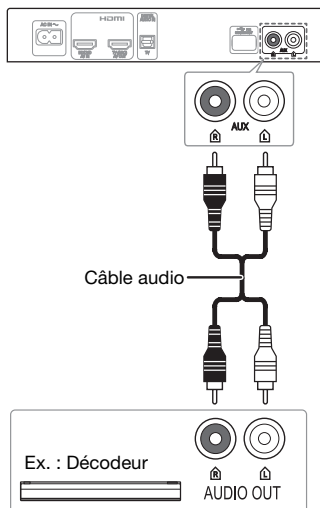
L'appareil peut envoyer le signal vidéo 3D d'un lecteur de disques Blu-ray compatible avec 3D vers un téléviseur 3D pleine HD.

**Nota :**

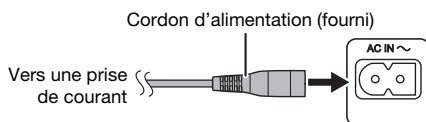
Se référer au mode d'emploi du dispositif pour en savoir plus sur les paramètres de sortie des signaux vidéo et audio.

## Connexion d'un autre équipement (AUX)

Vous pouvez connecter un autre équipement tel qu'un lecteur de Blu-ray, un lecteur de DVD, une console de jeux, un décodeur, etc., et écouter de l'audio via cet appareil.



## Branchement du cordon d'alimentation



Ne pas utiliser le cordon d'alimentation d'un autre appareil.

### Économie d'énergie

L'appareil consomme une petite quantité d'électricité (→ « Spécifications ») quand il est en mode veille. Débrancher le cordon d'alimentation si l'appareil n'est pas utilisé.

# Raccordements

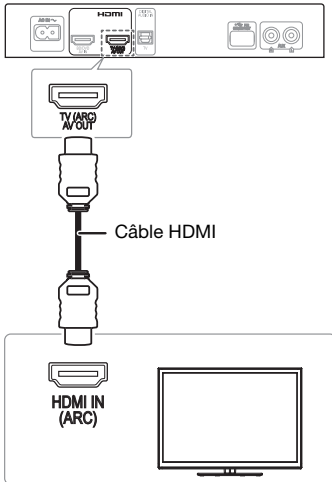
Mettez tous les équipements hors marche avant le raccordement.

Les composants et câbles sont vendus séparément. Branchez le cordon d'alimentation secteur dans la prise secteur une fois que tous les autres raccordements ont été effectués.

## Connexion du téléviseur

### Connecter un téléviseur compatible avec ARC

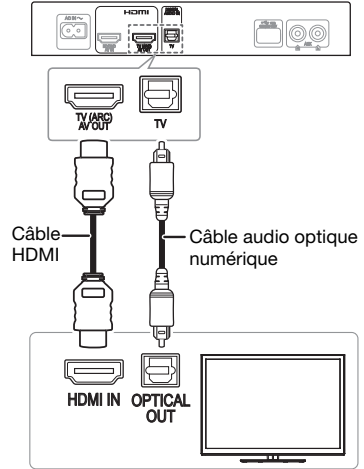
Connecter la borne compatible avec ARC du téléviseur à un câble HDMI haute vitesse compatible avec ARC.



#### ARC (Canal de retour audio)

La fonction ARC est une fonction HDMI qui vous permet de profiter du son et des images du téléviseur avec un seul câble HDMI.

### Connecter un téléviseur non compatible avec ARC

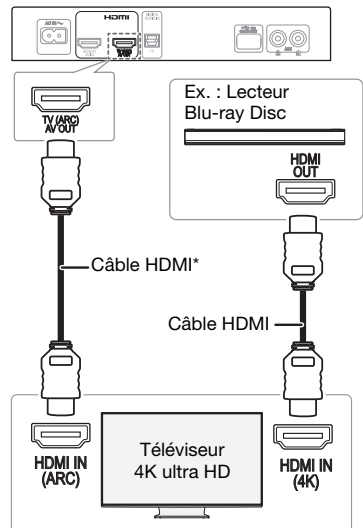


#### Nota :

La connexion HDMI prend en charge la fonction VIERA Link « HDAVI Control » si le téléviseur est de marque Panasonic (→ « Opérations liées avec le téléviseur (VIERA Link™ « HDAVI Control™ ») »).

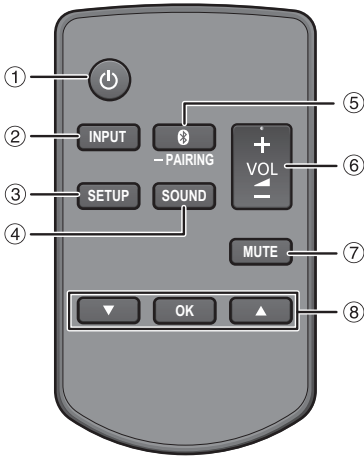
## Connexion à un téléviseur 4K ultra HD

L'appareil ne peut pas acheminer le signal vidéo 4K d'un équipement compatible avec la 4K à un téléviseur 4K ultra HD. Toutefois, il est possible de connecter l'appareil à un téléviseur 4K ultra HD pour profiter du contenu 4K.



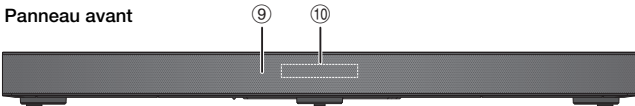
\* S'assurer de brancher le câble HDMI aux bornes compatibles avec ARC.

# Emplacement des commandes

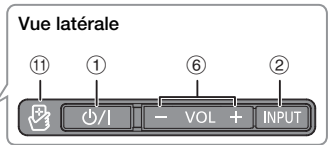


- ① **Interrupteur de marche/attente** [⏻], [⏻/⏻]  
Appuyer sur cet interrupteur pour commuter l'appareil du mode de marche au mode attente et vice versa. En mode attente, l'appareil continue de consommer une petite quantité de courant.
- ② Sélection de la source d'entrée  
→ TV → BD/DVD → AUX → BLUETOOTH →
- ③ Affichage du menu de configuration
- ④ Affichage du menu son
- ⑤ Sélectionne le mode Bluetooth®  
Lance le mode de pairage Bluetooth®
- ⑥ Réglage du volume
- ⑦ **Mise en sourdine**  
Pour annuler, appuyer de nouveau sur la touche. La fonction de sourdine est aussi annulée lors du réglage du volume ou de la mise hors marche.
- ⑧ Sélection et confirmation de l'option
- ⑨ Capteur de signal de la télécommande  
Distance : à une distance d'environ 7 m (23 pi)  
Angle : environ 20° en haut et en bas, 30° à gauche et droite
- ⑩ Afficheur
- ⑪ Zone de contact NFC
- ⑫ Prise d'alimentation c.a.
- ⑬ Prise HDMI IN (BD/DVD)
- ⑭ Prise de sortie HDMI OUT (compatible avec ARC)
- ⑮ Prise DIGITAL AUDIO IN (TV)
- ⑯ Port USB (pour le service technique seulement)
- ⑰ Prise AUX IN

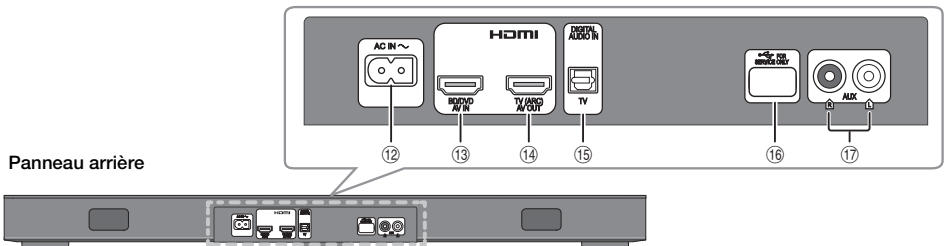
Panneau avant



Vue latérale

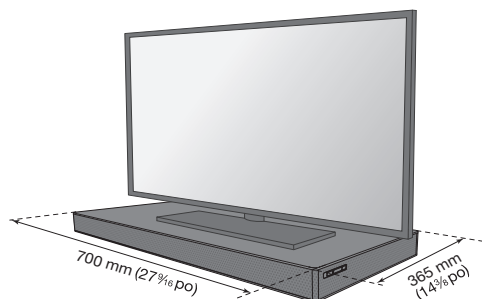


Panneau arrière



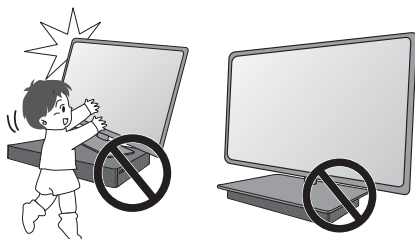
# Positionnement

Si le téléviseur pèse moins de 50 kg (110,2 lb) et que les dimensions de son socle sont au maximum de 700 mm (27 $\frac{1}{16}$  po) (largeur) par 365 mm (14 $\frac{3}{8}$  po) (profondeur), le téléviseur peut être posé sur l'appareil.



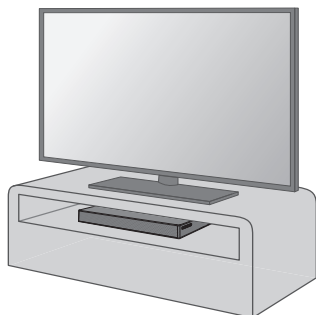
## ATTENTION !

- Ne pas faire dépasser le téléviseur de la surface de l'appareil. Veiller à ne pas renverser le téléviseur, car cela pourrait occasionner des blessures.



- Installer le dispositif anti-basculement du téléviseur. Pour plus d'informations sur l'installation, se référer au mode d'emploi du téléviseur. Si le téléviseur n'est pas fourni avec un dispositif anti-basculement, consulter votre revendeur.
- Déplacer le téléviseur sur la surface de l'appareil peut occasionner des rayures sur la surface. S'il doit être déplacé, soulever le téléviseur.

Si non, poser l'appareil sur le côté droit du téléviseur (recommandé) ou dans un meuble.



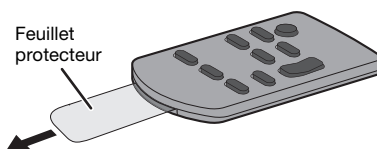
## Nota :

- Ne pas placer l'appareil dans un meuble en métal.
- Éloigner les autres appareils électroniques à bande de fréquence 2,4 GHz tels que routeur sans fil, téléphone sans fil, etc. d'au moins 2 m (6 $\frac{1}{2}$  pi) de ce système pour éviter les interférences électromagnétiques.
- Si des couleurs anormales apparaissent sur le téléviseur, le mettre hors marche pendant 30 minutes. Si la démagnétisation du téléviseur ne corrige pas le problème, augmenter la distance entre cet appareil et le téléviseur.
- Éloigner les objets magnétiques. Les cartes magnétiques, les montres etc. peuvent être endommagées si elles sont posées trop près de l'appareil.

# Préparatifs pour la télécommande

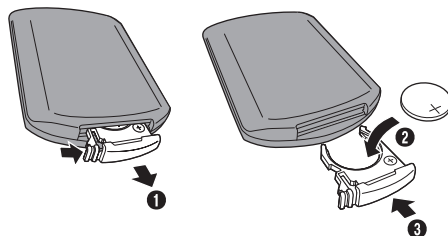
## ■ Avant utilisation

Retirer le feuillet protecteur.



## ■ Remplacement de la pile

Remplacer qu'avec une pile neuve (modèle CR2025 3V pile au lithium).



- 1 Tout en appuyant sur la butée, tirer sur le plateau de la pile.
- 2 Mettre une nouvelle pile en place, côté positif (+) vers le haut.
- 3 Refermer le plateau de la pile en le poussant jusqu'au fond.

## ATTENTION !

Garder la pile de type bouton hors de la portée des enfants pour éviter qu'ils ne l'avalent.

Fabriqué sous licence de Dolby Laboratories. Dolby, Pro Logic, et le symbole double-D sont des marques déposées de Dolby Laboratories.
Ce produit est fabriqué sous licence et en vertu des brevets américains nos 5,956,674; 5,974,380; 6,487,535 et d'autres brevets émis et en instance aux États-Unis et dans le monde. Le symbole DTS, DTS et son symbole utilisés ensemble sont des marques déposées et DTS Digital Surround et les logos DTS sont des marques de commerce de DTS, Inc. Logiciel inclus avec ce produit. © DTS, Inc. Tous droits réservés.
HDMI, le logo HDMI et High-Definition Multimedia Interface sont des marques de commerce ou des marques déposées de HDMI Licensing LLC aux États-Unis et dans d'autres pays.
HDAVI Control™ est une marque de commerce de Panasonic Corporation.
VIERA Link™ est une marque de commerce de Panasonic Corporation.
EZ Sync™ est une marque de commerce de Panasonic Corporation.
Le nom de marque et les logos Bluetooth® sont la propriété de Bluetooth SIG, Inc. et leur utilisation par Panasonic Corporation fait l'objet d'une licence. Les autres marques de commerce sont la propriété de leurs détenteurs respectifs.
Google Play et Android sont des marques de commerce de Google Inc.

Panasonic décline toute responsabilité pour la compromission de données ou de renseignements qui pourrait survenir pendant une transmission sans fil.

## Bande de fréquences

- Cet appareil fonctionne sur la bande de fréquence de 2,4 GHz.

## Certification

- Cette appareil satisfait aux restrictions en matière des bandes de fréquences et a été certifié en vertu des lois sur l'utilisation des bandes de fréquences. Par conséquent, l'obtention d'un permis de transmission sans fil n'est pas requise.
- Les actions décrites ci-dessous sont punissables en vertu de la loi :
  - Démontage et/ou modification de l'appareil.
  - Retrait des indications relatives aux spécifications.

## Restrictions à l'utilisation

- La liaison sans fil et/ou l'utilisation avec tous les dispositifs compatibles avec Bluetooth® ne sont pas garantis.
- Tous les dispositifs doivent être conformes aux normes établies par Bluetooth SIG, Inc.
- Selon les spécifications et paramètres d'un dispositif, la connexion pourrait être impossible ou certaines opérations pourraient être différentes.
- Cet appareil prend en charge les fonctionnalités de sécurité Bluetooth®. Cependant, selon l'environnement d'exploitation et/ou les paramètres, ces mesures de sécurité pourraient ne pas être suffisantes. La transmission de données vers cet appareil doit se faire avec le plus grand discernement.
- Cet appareil ne peut transmettre de données à un dispositif Bluetooth®.

## Rayon d'action

- Utiliser ce dispositif à une distance maximum de 10 m (33 pi).
- Le rayon d'action peut être réduit en raison de l'environnement, d'obstacles ou d'interférence.

## Interférence en provenance d'autres appareils

- Cet appareil pourrait ne pas fonctionner adéquatement et des problèmes tels que des sauts de son et du bruit pourraient survenir en raison d'ondes électromagnétiques si cet appareil est placé trop près d'autres dispositifs Bluetooth® ou des dispositifs fonctionnant sur la bande de fréquence de 2,4 GHz.
- Cet appareil pourrait ne pas fonctionner adéquatement si des ondes électromagnétiques en provenance d'une station émettrice avoisinante, etc., sont trop fortes.

## Utilisation prévue

- Cet appareil est conçu pour un usage général.
- Ne pas utiliser cet appareil près d'un équipement ou dans un milieu sensible à l'interférence radio (exemples : aéroports, hôpitaux, laboratoires, etc.).



Cet appareil est conforme aux normes CNR-Gen et CNR-210 du règlement de la IC. L'utilisation de ce dispositif est autorisée seulement aux deux conditions suivantes : (1) il ne doit pas produire de brouillage, et (2) l'utilisateur du dispositif doit être prêt à accepter tout brouillage radioélectrique reçu, même si ce brouillage est susceptible de compromettre le fonctionnement du dispositif.

Cet émetteur ne doit pas être placé à proximité d'une autre antenne ou d'un autre émetteur, ni être utilisé de pair avec de tels autres appareils.

Cet équipement est conforme aux limites d'exposition aux radiations FCC/IC établies pour un environnement non contrôlé et se conforme aux exigences de conformité pour l'exposition aux RF IC, dans le supplément C, aux normes OET65 et CNR-102. Cet appareil présente de très faibles niveaux d'énergie RF jugés conformes sans évaluation de l'exposition permise maximale (MPE). Mais il est souhaitable de l'installer et de l'utiliser à une distance d'au moins 20 cm (7 7/8 po) du corps (extrémités non comprises : mains, poignets, pieds et chevilles).

IMPORTANTES MISES EN GARDE .....	2
Mesures de sécurité .....	3
Accessoires fournis .....	4
Entretien .....	4
Licences .....	5
À propos de Bluetooth® .....	5
Positionnement .....	6
Préparatifs pour la télécommande .....	6
Emplacement des commandes .....	7
Raccordements .....	8
Commandes de base .....	11
Rendu sonore 3D .....	11
Menu du son .....	11
Menu de configuration .....	12
Opérations liées avec le téléviseur (VIERA Link™ « HDAVI Control™ ») .....	13
Dépannage .....	14
Spécifications .....	16
Certificat de garantie limitée .....	17

## Accessoires fournis

Vérifier les accessoires en les cochant.

Utiliser les numéros indiqués entre parenthèses lors de la commande de pièces de rechange. (Les numéros de produits sont en date de juin 2014. Ces numéros peuvent être modifiés sans préavis.)

Pour la commande d'accessoires, contacter le détaillant où l'appareil a été acheté.

- 1 cordon d'alimentation**  
(K2CB2CB00022)
- 1 télécommande (avec une pile)**  
(N2QAYC000098)

La feuille d'autocollants en français ci-incluse correspond aux noms des touches, prises ou voyants indiqués en anglais sur le boîtier de l'appareil et la télécommande.

## Entretien

Pour nettoyer l'appareil, utiliser un chiffon doux et sec.

- Ne jamais utiliser d'alcool, de diluant pour peinture ni de benzène pour nettoyer l'appareil.
- Avant d'utiliser un chiffon traité chimiquement, lire attentivement les directives sur l'emballage du chiffon.

# Mesures de sécurité

## AVERTISSEMENT !

### Appareil

- Pour réduire les risques d'incendie, de choc électrique ou de dommage à l'appareil,
  - Ne pas exposer cet appareil à la pluie, à l'humidité, à l'égouttement ou aux éclaboussures.
  - Ne placer sur l'appareil aucun objet rempli de liquide, comme par exemple des vases.
  - Utiliser exclusivement les accessoires recommandés.
  - Ne pas retirer les couvercles.
  - Toute réparation doit être faite par un personnel qualifié et non par l'utilisateur.

### Cordon d'alimentation

- La fiche d'alimentation permet de déconnecter l'appareil. L'appareil doit être installé à proximité d'une prise secteur facile d'accès.

### Pile bouton (pile au lithium)

- Risque d'incendie, d'explosion et brûlures. Ne pas démonter, chauffer à plus de 60 °C (140 °F) ou mettre au feu.

## ATTENTION !

### Appareil

- Pour réduire les risques d'incendie, de choc électrique ou de dommage à l'appareil,
  - Ne pas installer cet appareil dans une bibliothèque, une armoire ou tout autre espace confiné. S'assurer que la ventilation de l'appareil est adéquate.
  - Ne pas obstruer les événements d'aération de l'appareil avec des journaux, des nappes, des rideaux ou d'autres objets similaires.
  - Ne placer aucune source de flamme nue, telles des bougies allumées, sur l'appareil.
- Ne pas toucher le fond de l'appareil. Il pourrait être chaud après une période d'utilisation prolongée.

### Pile bouton (pile au lithium)

- Insérer la pile en respectant la polarité.
- Ne pas permettre aux terminaux (+ et -) d'entrer en contact avec des objets de métal.
- Ne pas recharger, démonter, remonter, chauffer ou jeter au feu.
- Garder hors de la portée des enfants.
- Si de l'électrolyte entre en contact avec la peau ou les vêtements, laver méticuleusement à l'eau.
- Si de l'électrolyte entre en contact avec les yeux, ne pas frotter les yeux. Rincer les yeux méticuleusement à l'eau, puis consulter un médecin.
- Danger d'explosion si la pile n'est pas remplacée correctement. La remplacer uniquement par une pile de type recommandé par le fabricant.
- Lors de la mise au rebut de la pile, contacter l'administration locale ou le revendeur et s'informer de la bonne façon de procéder.
- Ne pas chauffer ou exposer au feu.
- Ne pas laisser la(les) pile(s) dans un véhicule exposé au soleil avec vitres et portes fermées pendant une longue période de temps.



**N'INGÉREZ PAS LA PILE. RISQUE DE BRÛLURE CHIMIQUE.**

Ce produit contient une pile bouton. En cas d'ingestion, une telle pile peut provoquer de sévères brûlures internes en seulement deux (2) heures, lesquelles peuvent être mortelles. Rangez les piles, neuves ou usagées, hors de la portée des enfants. Dans le cas où le logement de la pile ne fermerait pas de manière sécuritaire, cessez d'utiliser l'appareil et rangez-le hors de la portée des enfants. Si vous soupçonnez que la pile a été ingérée ou insérée dans une partie du corps, sollicitez immédiatement une aide médicale.



**ATTENTION**

**RISQUE DE CHOC ÉLECTRIQUE  
NE PAS OUVRIR**



**ATTENTION : AFIN DE PRÉVENIR LE RISQUE DE CHOCS ÉLECTRIQUES, NE PAS RETIRER LES VIS. TOUTE RÉPARATION DEVRAIT ÊTRE CONFÉE À UN PERSONNEL QUALIFIÉ.**



Le symbole de l'éclair dans un triangle équilatéral indique la présence d'une tension suffisamment élevée pour engendrer un risque de chocs électriques.



Le point d'exclamation dans un triangle équilatéral indique que le manuel d'utilisation inclus avec l'appareil contient d'importantes recommandations quant au fonctionnement et à l'entretien de ce dernier.

Les opérations décrites dans ce manuel sont pilotées à partir de la télécommande, mais il est possible d'utiliser les mêmes commandes sur l'appareil.

Votre appareil et les illustrations pourraient ne pas avoir exactement la même apparence que ce qui est montré dans le présent manuel.

Il est recommandé de noter, dans l'espace prévu ci-dessous, le numéro de modèle et le numéro de série inscrits à l'arrière, ou sous le fond de l'appareil, et de conserver ce manuel pour référence ultérieure.

NUMÉRO DE MODÈLE SC-HTE180

NUMÉRO DE SÉRIE \_\_\_\_\_

Homologation :

DATE D'ACHAT \_\_\_\_\_

DÉTAILLANT \_\_\_\_\_

ADRESSE DU DÉTAILLANT \_\_\_\_\_

N° DE TÉLÉPHONE \_\_\_\_\_

## IMPORTANTES MISES EN GARDE

Avant d'utiliser l'appareil, lire attentivement les instructions qui suivent. Se conformer tout particulièrement aux avertissements inscrits sur l'appareil et aux consignes de sécurité indiquées ci-dessous. Conserver le présent manuel pour consultation ultérieure.

1. Lire attentivement ces instructions.
2. Conserver ces instructions.
3. Lire toutes les mises en garde.
4. Suivre toutes les instructions.
5. Ne pas utiliser cet appareil près d'une source d'eau.
6. Ne nettoyer qu'avec un chiffon sec.
7. Ne pas bloquer les événements d'aération. Installer l'appareil selon les instructions du fabricant.
8. Ne pas installer l'appareil près d'un appareil de chauffage tel qu'un radiateur, une cuisinière, un registre de chaleur ou tout dispositif émettant de la chaleur (y compris un amplificateur).
9. Pour des raisons de sécurité, ne pas modifier la fiche polarisée ou celle de mise à la terre. Une fiche polarisée est une fiche à deux lames, dont une plus large. Une fiche de mise à la terre est une fiche à deux lames avec une broche de masse. La lame plus large ou la broche de masse procure une protection accrue. Si ce genre de fiche ne peut être inséré dans une prise de courant, communiquer avec un électricien pour remplacer la prise.
10. S'assurer que le cordon est placé dans un endroit où il ne risque pas d'être écrasé, piétiné ou coincé. Faire particulièrement attention à ses extrémités de branchement, y compris sa fiche.
11. N'utiliser que les accessoires ou périphériques recommandés par le fabricant.
12. N'utiliser l'appareil qu'avec une baie, support, trépied, gabarit d'installation, etc. recommandé par le fabricant ou vendu avec l'appareil. Si une baie ou un support est utilisée et que l'appareil doit être déplacé, faire attention à ne pas les renverser.
13. Débrancher cet appareil lors d'un orage ou en cas de non-utilisation prolongée.
14. Confier l'appareil à un technicien qualifié pour toute réparation : cordon d'alimentation ou fiche endommagé, liquide renversé ou objet tombé dans l'appareil, exposition à la pluie ou à une humidité excessive, mauvais fonctionnement ou échappement de l'appareil.



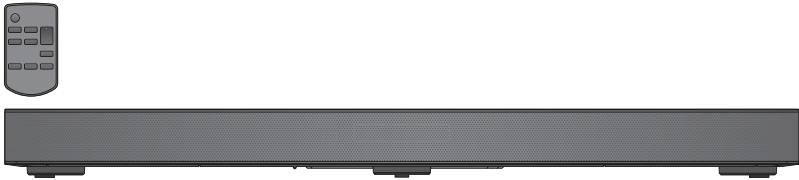
# Panasonic®

Manuel d'utilisation

## Chaîne audio cinéma maison

---

Modèle **SC-HTE180**



Nous vous remercions d'avoir arrêté votre choix sur cet appareil.

Pour en tirer un rendement optimal et par mesure de sécurité, lire attentivement le présent manuel.

Conserver ce manuel pour référence ultérieure.

Pour toute assistance supplémentaire, visiter :

[www.panasonic.ca/french/support](http://www.panasonic.ca/french/support)