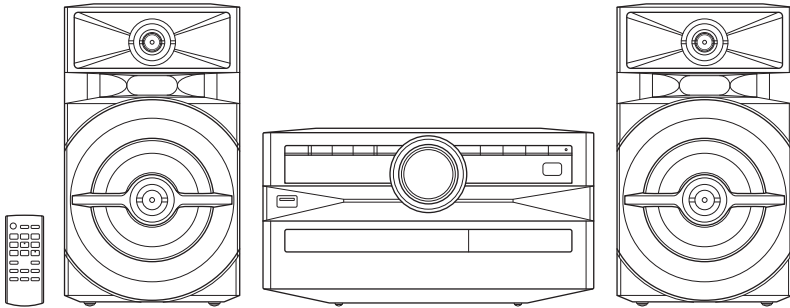


Panasonic®

Owner's Manual
Manual del propietario

CD Stereo System Sistema estéreo con reproductor de discos compactos

Model No. **SC-UX100**



Thank you for purchasing this product.

For optimum performance and safety, please read these instructions carefully.

Please keep this manual for future reference.

Muchísimas gracias por haber adquirido este aparato.

Para un desempeño y seguridad óptimos, por favor lea estas instrucciones cuidadosamente.

Guarde este manual para su consulta en el futuro.

For Canada

If you have any questions, visit:

www.panasonic.ca/english/support

Your system and the illustrations can look differently.
This manual is applicable to the following system.

| | |
|------------------|----------|
| System | SC-UX100 |
| Main unit | SA-UX100 |
| Speakers | SB-UX100 |

THE FOLLOWING APPLIES ONLY IN THE U.S.A. AND CANADA

This device complies with Part 15 of FCC Rules and Industry Canada licence-exempt RSS standard(s). Operation is subject to the following two conditions:
(1) this device may not cause interference, and
(2) this device must accept any interference, including interference that may cause undesired operation of this device.

THE FOLLOWING APPLIES ONLY IN CANADA

CAN ICES-3(B)/NMB-3(B)

Contains IC: 216A-B21R1401

The device meets the exemption from the routine evaluation limits in section 2.5 of RSS 102 and compliance with RSS-102 RF exposure, users can obtain Canadian information on RF exposure and compliance.

Table of contents

IMPORTANT SAFETY INSTRUCTIONS 2
 Safety precautions 3
 References 4
 Supplied accessories 4
 Maintenance 4
 Placement of speakers 5
 Making the connections 5
 Overview of controls 6
 Preparing the remote control 6
 Preparing media 7
 Media playback 8
 Radio 9
 Clock and timers 10
 Sound effects 11
 Jukebox 11
 External equipment 12
 Others 12
 Troubleshooting 13
 Specifications 15
 Limited Warranty (ONLY FOR CANADA) 16

IMPORTANT SAFETY INSTRUCTIONS

Read these operating instructions carefully before using the unit. Follow the safety instructions on the unit and the applicable safety instructions listed below. Keep these operating instructions handy for future reference.

1. Read these instructions.
2. Keep these instructions.
3. Heed all warnings.
4. Follow all instructions.
5. Do not use this apparatus near water.
6. Clean only with dry cloth.
7. Do not block any ventilation openings. Install in accordance with the manufacturer's instructions.
8. Do not install near any heat sources such as radiators, heat registers, stoves, or other apparatus (including amplifiers) that produce heat.
9. Do not defeat the safety purpose of the polarized or grounding-type plug. A polarized plug has two blades with one wider than the other. A grounding-type plug has two blades and a third grounding prong. The wide blade or the third prong are provided for your safety. If the provided plug does not fit into your outlet, consult an electrician for replacement of the obsolete outlet.
10. Protect the power cord from being walked on or pinched particularly at plugs, convenience receptacles, and the point where they exit from the apparatus.
11. Only use attachments/accessories specified by the manufacturer.
12. Use only with the cart, stand, tripod, bracket, or table specified by the manufacturer, or sold with the apparatus. When a cart is used, use caution when moving the cart/apparatus combination to avoid injury from tip-over.
13. Unplug this apparatus during lightning storms or when unused for long periods of time.
14. Refer all servicing to qualified service personnel. Servicing is required when the apparatus has been damaged in any way, such as power-supply cord or plug is damaged, liquid has been spilled or objects have fallen into the apparatus, the apparatus has been exposed to rain or moisture, does not operate normally, or has been dropped.



Safety precautions

WARNING!

Unit

- To reduce the risk of fire, electric shock or product damage,
 - Do not expose this unit to rain, moisture, dripping or splashing.
 - Do not place objects filled with liquids, such as vases, on this unit.
 - Use only the recommended accessories.
 - Do not remove covers.
 - Do not repair this unit by yourself. Refer servicing to qualified service personnel.
 - Do not let metal objects fall inside this unit.

CAUTION!

Unit



- To reduce the risk of fire, electric shock or product damage,
 - Do not install or place this unit in a bookcase, built-in cabinet or in another confined space. Ensure this unit is well ventilated.
 - Do not obstruct this unit's ventilation openings with newspapers, tablecloths, curtains, and similar items.
 - Do not place sources of naked flames, such as lighted candles, on this unit.
- This unit utilizes a laser. Use of controls or adjustments or performance of procedures other than those specified herein may result in hazardous radiation exposure.
- Set the unit up on an even surface away from direct sunlight, high temperatures, high humidity, and excessive vibration.

AC power supply cord

- The power plug is the disconnecting device. Install this unit so that the power plug can be unplugged from the socket outlet immediately.

Battery

- Danger of explosion if battery is incorrectly replaced. Replace only with the type recommended by the manufacturer.
- When disposing of the batteries, please contact your local authorities or dealer and ask for the correct method of disposal.
- Do not heat or expose to flame.
- Do not leave the battery(ies) in a car exposed to direct sunlight for a long period of time with doors and windows closed.
- Do not break open or short-circuit the battery.
- Do not charge the alkaline or manganese battery.
- Do not use the battery if the cover has peeled off.
- Remove the battery if you do not use the remote control for a long period of time. Keep in a cool, dark area.

| | | |
|--|---|---|
|  | CAUTION RISK OF ELECTRIC SHOCK DO NOT OPEN |  |
| <p>CAUTION: TO REDUCE THE RISK OF ELECTRIC SHOCK, DO NOT REMOVE SCREWS. NO USER-SERVICEABLE PARTS INSIDE. REFER SERVICING TO QUALIFIED SERVICE PERSONNEL.</p> | | |



The lightning flash with arrowhead symbol, within an equilateral triangle, is intended to alert the user to the presence of uninsulated "dangerous voltage" within the product's enclosure that may be of sufficient magnitude to constitute a risk of electric shock to persons.



The exclamation point within an equilateral triangle is intended to alert the user to the presence of important operating and maintenance (servicing) instructions in the literature accompanying the appliance.

THE FOLLOWING APPLIES ONLY IN THE U.S.A.

FCC Note:

This equipment has been tested and found to comply with the limits for a Class B digital device, pursuant to Part 15 of the FCC Rules.

These limits are designed to provide reasonable protection against harmful interference in a residential installation. This equipment generates, uses, and can radiate radio frequency energy and, if not installed and used in accordance with the instructions, may cause harmful interference to radio communications.

However, there is no guarantee that interference will not occur in a particular installation. If this equipment does cause harmful interference to radio or television reception, which can be determined by turning the equipment off and on, the user is encouraged to try to correct the interference by one or more of the following measures:

- Reorient or relocate the receiving antenna.
- Increase the separation between the equipment and receiver.
- Connect the equipment into an outlet on a circuit different from that to which the receiver is connected.
- Consult the dealer or an experienced radio/TV technician for help.

Any unauthorized changes or modifications to this equipment would void the user's authority to operate this device.

This device complies with Part 15 of the FCC Rules.

Operation is subject to the following two conditions:

- (1) This device may not cause harmful interference, and
- (2) this device must accept any interference received, including interference that may cause undesired operation.

Responsible Party:

Panasonic Corporation of North America
Two Riverfront Plaza, Newark, NJ 07102-5490

Support Contact:

<http://shop.panasonic.com/support>

References

About Bluetooth®

Panasonic bears no responsibility for data and/or information that can possibly be compromised during a wireless transmission.

Frequency band

- This system uses the 2.4 GHz frequency band.

Certification

- This system conforms to the frequency restrictions and has received certification based on frequency laws. Thus, a wireless permit is not necessary.
- The actions below are punishable by law:
 - Taking apart or modifying the main unit.
 - Removing specification indications.

Restrictions of use

- Wireless transmission and/or usage with all Bluetooth® equipped devices is not guaranteed.
- All devices must conform to standards set by Bluetooth SIG, Inc.
- Depending on the specifications and settings of a device, it can fail to connect or some operations can be different.
- This system supports Bluetooth® security features. But depending on the operating environment and/or settings, this security is possibly not sufficient. Transmit data wirelessly to this system with caution.
- This system cannot transmit data to a Bluetooth® device.

Range of use

- Use this device at a maximum range of 10 m (33 ft).
- The range can decrease depending on the environment, obstacles or interference.

Interference from other devices

- This system may not function properly and troubles such as noise and sound jumps may arise due to radio wave interference if this unit is located too close to other Bluetooth® devices or the devices that use the 2.4 GHz band.
- This system may not function properly if radio waves from a nearby broadcasting station, etc. is too strong.

Intended usage

- This system is for normal, general use only.
- Do not use this system near an equipment or in an environment that is sensitive to radio frequency interference (example: airports, hospitals, laboratories, etc.).

Licenses

The Bluetooth® word mark and logos are registered trademarks owned by Bluetooth SIG, Inc. and any use of such marks by Panasonic Corporation is under license. Other trademarks and trade names are those of their respective owners.

Google Play and Android are trademarks of Google Inc.

MPEG Layer-3 audio coding technology licensed from Fraunhofer IIS and Thomson.

Supplied accessories

Check and identify the supplied accessories.

Use numbers indicated in parentheses when asking for replacement parts. (Product numbers correct as of August 2016. This may be subject to change.)

To order accessories, call the dealer from whom you have made your purchase.

- 1 AC power supply cord**
(K2CB2CB00022)

- 1 FM indoor antenna**
(RSAX0002)



- 1 Remote control**
(N2QAYB001093)

- 1 Remote control battery**

(Only for Canada)

The included Canadian French label sheet corresponds to the English printing on the front and rear of the main unit.

Maintenance

To clean this system, wipe with a soft, dry cloth.

- Never use alcohol, paint thinner or benzine to clean this system.
- Before using chemically treated cloth, read the instructions that came with the cloth carefully.

Placement of speakers

The left and right speakers are the same.

Use only the supplied speakers.

You can cause damage to the system and decrease the sound quality if you use other speakers.

Note:

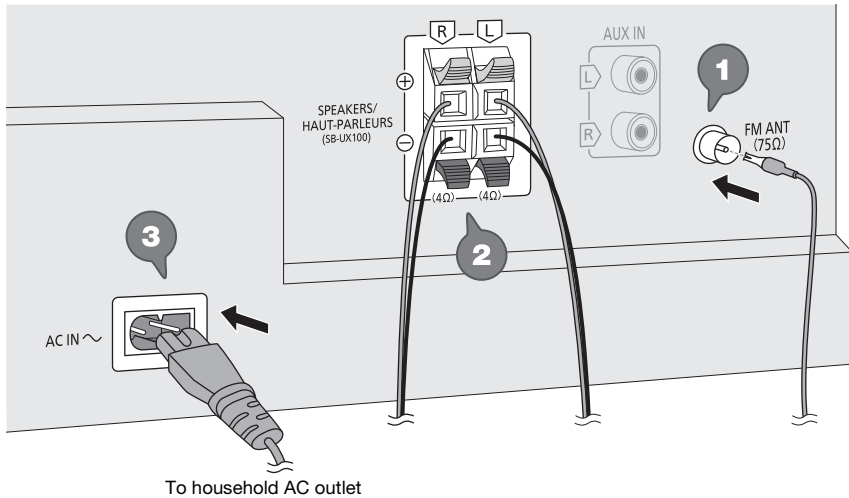
- Keep your speakers at least 10 mm ($13/32$ ") away from the system for proper ventilation.
- Put the speakers on a flat safe surface.
- These speakers do not have magnetic shielding. Do not put them near TVs, PCs or other equipment easily influenced by magnetism.
- When you play at high levels for a long period, it can cause damage to the speakers and decrease the life of the speakers.
- Decrease the volume in these conditions to prevent damage:
 - When the sound is distorted.
 - When you adjust the sound quality.

CAUTION!

- Use the speakers only with the recommended system. If not, you can cause damage to the amplifier and speakers and can cause a fire. Consult an approved service personnel if damage occurs or if there is a sudden apparent change in performance.
- Do not modify the speaker or speaker wires as this can cause damage to the system.
- Do the procedures included in these instructions when you attach the speakers.
- Do not touch the speaker cone's reverberating surfaces:
 - This may damage the speaker cone.
 - The speaker cone may be hot.

Making the connections

Connect the AC power supply cord only after all the other connections have been made.

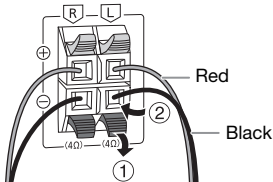


1 Connect the FM indoor antenna.

Put the antenna where reception is best.

2 Connect the speakers.

Connect the speaker cables to the terminals of the same color.



Be careful not to cross (short-circuit) or reverse the polarity of the speaker wires as doing so may damage the speakers.

3 Connect the AC power supply cord.

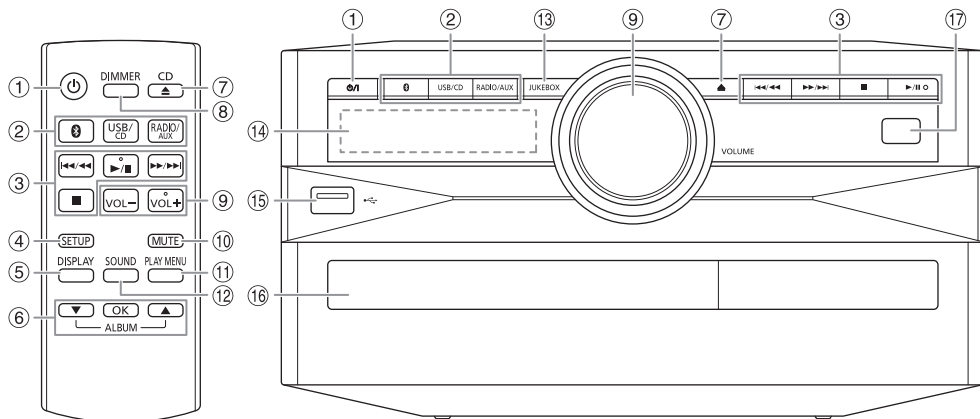
Do not use any other AC power supply cords except the supplied one.

Conserving power

The system consumes a small amount of power even when it is in standby mode. Disconnect the power supply if you do not use the system. Some settings will be lost after you disconnect the system. You have to set them again.

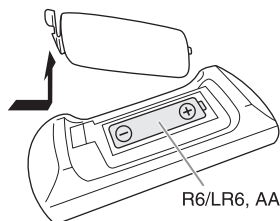
Overview of controls

Do the procedures with the remote control. You can also use the buttons on the main unit if they are the same.



- ① **Standby/on switch** [⏻], [⏻/⏹]
Press to turn the unit from on to standby mode or vice versa. In standby mode, the unit is still consuming a small amount of power.
- ② **Select the audio source**
On the main unit:
To start Bluetooth® pairing, press and hold [📶].
- ③ **Basic playback control**
- ④ **View the setup menu**
- ⑤ **View the content information**
- ⑥ **Select or confirm the option**
- ⑦ **Open or close the disc tray**
- ⑧ **Decrease the brightness of the display panel**
The illumination is also turned off.
To cancel, press the button again.
- ⑨ **Adjust the volume level**
- ⑩ **Mute the sound**
To cancel, press the button again.
“MUTE” is also canceled when you adjust the volume or when you turn off the system.
- ⑪ **View the play menu**
- ⑫ **Select the sound effects**
- ⑬ **Select the jukebox**
- ⑭ **Display panel**
- ⑮ **USB port** (←→)
- ⑯ **Disc tray**
- ⑰ **Remote control sensor**
Distance: Within approximately 7 m (23 ft)
Angle: Approximately 20° up and down, 30° left and right

Preparing the remote control



Use alkaline or manganese battery.
Install the battery so that the poles (+ and -) align with those in the remote control.

Preparing media

Disc

- 1 Press [CD ▲] (main unit: [▲]) to open the disc tray.
Put in a disc with the label facing up.
Press again to close the disc tray.
- 2 Press [USB/CD] to select "CD".

USB

Preparation

Before you connect a USB device to the system, make sure you do a backup of the data.

- 1 **Decrease the volume and connect the USB device to the USB port.**
Hold the main unit when connecting or disconnecting the USB device.
- 2 Press [USB/CD] to select "USB".

Note:

- Do not use a USB extension cable. The system cannot recognize USB device connected through a cable.
- For small USB devices, you may want to attach a lanyard or a cord to the strap hole of the device so that it can be unplugged easily.
- Some devices cannot be charged as the maximum USB charging current is 500 mA only.

Bluetooth®

You can connect and play an audio device wirelessly through Bluetooth®.

Preparation

- Turn on the Bluetooth® feature of the device and put the device near the system.
- Read the operating instructions of the device for details.

Pairing a device

Preparation

If this system is connected to a Bluetooth® device, disconnect it (➔ "Disconnecting a device").

- 1 Press [Ⓜ].
If "PAIRING" is shown, continue with step 3.
- 2 Press [PLAY MENU] to select "PAIRING" and then press [OK].
- 3 Select "SC-UX100" from the Bluetooth® menu of the device.
If prompted for a passkey, input "0000".
The device connects with this system automatically after pairing is complete.
The name of the connected device is shown for a few seconds.

Using the main unit

- 1 Press and hold [Ⓜ] until "PAIRING" is shown.
- 2 Select "SC-UX100" from the Bluetooth® menu of the device.

Note:

You can pair up to 8 devices with this system. If a 9th device is paired, the device that has not been used for the longest time will be replaced.

Connecting a device

Preparation

If this system is connected to a Bluetooth® device, disconnect it (➔ "Disconnecting a device").

- 1 Press [Ⓜ].
"BLUETOOTH READY" is shown.
- 2 Select "SC-UX100" from the Bluetooth® menu of the device.
The name of the connected device is shown for a few seconds.
- 3 Start playback on the device.

Note:

- A device must be paired to connect.
- This system can only connect to one device at a time.
- When "BLUETOOTH" is selected as the source, this system will automatically try to connect to the last connected device. ("LINKING" is shown during this process.)

Disconnecting a device

- 1 Press [Ⓜ].
- 2 Press [PLAY MENU] to select "DISCONNECT?".
- 3 Press [▲, ▼] to select "OK? YES" and then press [OK].
"BLUETOOTH READY" is shown.
To cancel, select "OK? NO".

Using the main unit

Press and hold [Ⓜ] until "PAIRING" is shown.

Note:

- A device is disconnected when you:
 - Select a different source.
 - Move the device out of the maximum range.
 - Disable the Bluetooth® transmission of the device.
 - Turn off the system or the device.

Media playback

The following marks indicate the availability of the feature.

CD: CD-R/RW in CD-DA format or with MP3 files.

USB: USB device with MP3 files.

BLUETOOTH: Bluetooth® device.

Basic playback

CD **USB** **BLUETOOTH**

| | |
|--------|--|
| Play | Press [▶/III]. |
| Stop | Press [■]. USB The position is memorized. “RESUME” is shown. Press again to stop fully. |
| Pause | Press [▶/III]. Press again to continue playback. |
| Skip | Press [◀◀/▶▶] or [▶▶/▶▶] to skip track. CD USB Press [▲, ▼] to skip MP3 album. |
| Search | Press and hold [◀◀/▶▶] or [▶▶/▶▶]. |

Note:

Depending on the Bluetooth® device, some operations may not work.

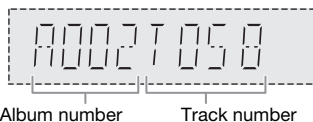
Viewing available information

CD **USB** **BLUETOOTH**

You can view the available information, such as MP3 album and track number, on the display panel.

Press [DISPLAY].

Example: MP3 album and track number display.



Note:

- Maximum characters that can be shown: Approximately 32
- This system supports ver. 1.0, 1.1 and 2.3 ID3 tags.
- Text data that the system does not support can show differently.

Play menu

CD **USB**

1 **CD**

Press [PLAY MENU].

USB

Press [PLAY MENU] to select “PLAYMODE”.

2

Press [▲, ▼] to select the setting and then press [OK].

| | |
|---------------------------------------|--|
| OFF PLAYMODE | Cancel the setting. |
| 1-TRACK 1 🎵 | Play one selected track. Press [◀◀/▶▶] or [▶▶/▶▶] to select the track. |
| 1-ALBUM 1 📀 | Play one selected MP3 album. Press [▲, ▼] to select the MP3 album. |
| RANDOM RND | Play all tracks randomly. |
| 1-ALBUM RANDOM 1 📀 RND | Play all tracks in one selected MP3 album randomly. Press [▲, ▼] to select the MP3 album. |
| ALL REPEAT 🔄 | Repeat all tracks. |
| 1-TRACK REPEAT 1 🎵 🔄 | Repeat 1-TRACK. |
| 1-ALBUM REPEAT 1 📀 🔄 | Repeat 1-ALBUM. |
| RANDOM REPEAT RND 🔄 | Repeat random playback. |
| 1-ALBUM RANDOM REPEAT 1 📀 RND 🔄 | Repeat 1-ALBUM RANDOM. |

Note:

- During random playback, you cannot skip to tracks which have been played.
- The setting is canceled when you open the disc tray or disconnect the USB device.

Link mode

BLUETOOTH

You can change the link mode to suit the connection type.

Preparation

If this system is connected to a Bluetooth® device, disconnect it (⇒ “Disconnecting a device”).

1

Press [PLAY MENU] to select “LINK MODE”.

2

Press [▲, ▼] to select the mode and then press [OK].

| | |
|------------------|----------------------------|
| MODE 1 | Emphasis on connectivity. |
| MODE 2 (default) | Emphasis on sound quality. |

Note:

- When enjoying video contents with this function, the video and audio output may not be synchronized. In this case, select "MODE 1".
- Select "MODE 1" if the sound is interrupted.

Note on disc

- This system can play CD-R/RW with CD-DA or MP3 format content.
- Before playback, finalize the disc on the device it was recorded on.
- Some CD-R/RW cannot be played because of the condition of the recording.

Note about using a DualDisc

- The digital audio content side of a DualDisc does not meet the technical specifications of the Compact Disc Digital Audio (CD-DA) format so playback may not be possible.

Note on USB device

- This system does not guarantee connection with all USB devices.
- This system supports USB 2.0 full speed.
- This system can support USB devices of up to 32 GB.
- Only FAT 12/16/32 file system is supported.

Note on MP3 file

- Files are defined as tracks and folders are defined as albums.
- Tracks must have the extension ".mp3" or ".MP3".
- Tracks will not necessarily be played in the order you recorded them.
- Some files can fail to work because of the sector size.

MP3 file on disc

- This system can access up to:
 - 255 albums (including root folder)
 - 999 tracks
 - 20 sessions
- Disc must conform to ISO9660 level 1 or 2 (except for extended formats).

MP3 file on USB device

- This system can access up to:
 - 800 albums (including root folder)
 - 8000 tracks
 - 999 tracks in one album

Radio

Preparation

Press [RADIO/AUX] to select "FM".

Manual tuning

- 1 Press [PLAY MENU] to select "TUNE MODE".
- 2 Press [▲, ▼] to select "MANUAL" and then press [OK].
- 3 Press [◀◀/◀◀] or [▶▶/▶▶] to tune in to the station.
To tune automatically, press and hold the button until the frequency starts changing quickly. "STEREO" is shown when a stereo broadcast is being received.

Using the main unit

- 1 Press [■] to select "MANUAL".
- 2 Press [◀◀/◀◀] or [▶▶/▶▶] to tune in to the station.

Memory presetting

You can preset up to 30 FM stations.

Automatic presetting

- 1 Press [PLAY MENU] to select "A.PRESET".
- 2 Press [▲, ▼] to select "LOWEST" or "CURRENT" and then press [OK].

| | |
|---------|---|
| LOWEST | Tuning begins from the lowest frequency. |
| CURRENT | Tuning begins from the current frequency. |

The tuner presets all the stations it can receive into the channels in ascending order.

To cancel, press [■].

Manual presetting

- 1 Press [PLAY MENU] to select "TUNE MODE".
- 2 Press [▲, ▼] to select "MANUAL" and then press [OK].
- 3 Press [◀◀/◀◀] or [▶▶/▶▶] to tune in to the station.
- 4 Press [OK].
- 5 Press [▲, ▼] to select a preset number and then press [OK].
Do steps 3 through 5 again to preset more stations. The new station replaces any station that occupies the same preset number.

To start the timer

- 1 Prepare the source you want to listen to (disc, USB or radio) and set the volume.
- 2 Press [SETUP] to select "TIMER SET".
- 3 Press [▲, ▼] to select "PLAY ON" and then press [OK].
"⏻" is shown.
To cancel, select "PLAY OFF".
The system must be turned off for the timer to operate.

To check the setting

Press [SETUP] to select "TIMER ADJ" and then press [OK].

In standby mode, press [DISPLAY] two times.

Note:

- The timer starts at a low volume and increases gradually to the preset level.
- The timer comes on at the set time every day if the timer is on.
- If you turn off the system and then turn on again while a timer is in operation, the timer will not stop at the end time.

Sound effects

Preset EQ

- 1 Press [SOUND] to select "PRESET EQ".
- 2 Press [▲, ▼] to select the desired preset EQ setting and then press [OK].

Manual EQ

- 1 Press [SOUND] to select "MANUAL EQ".
- 2 Press [▲, ▼] to select the sound effect.
- 3 Press [◀◀/▶▶] or [▶▶/▶▶] to select the setting and then press [OK].

| | |
|-----------------|---------------------------------|
| BASS/MID/TREBLE | -4 to +4 |
| SURROUND | "ON SURROUND" or "OFF SURROUND" |

D.Bass

- 1 Press [SOUND] to select "D.BASS" and then press [▲, ▼] to select "D.BASS LEVEL" or "D.BASS BEAT".
To cancel, select "OFF D.BASS".
- 2 Press [◀◀/▶▶] or [▶▶/▶▶] on the remote control to select the setting and then press [OK].

Note:

D.BASS BEAT: This function emphasizes the attack level of the drumbeat and produces a punchy sound. Depending on the track, the effect may be small.

Jukebox

USB

You can use the jukebox to add a cross-fade effect between songs. You can also use additional features with the "Panasonic MAX Juke" app (➔ below).

- 1 Press [PLAY MENU] to select "JUKEBOX".
- 2 Press [▲, ▼] to select the setting and then press [OK].

Using the main unit

Press [JUKEBOX] to select the setting.

| | |
|---------------|-----------------------|
| OFF CROSSFADE | Cancel cross-fading. |
| ON CROSSFADE | Add cross-fading. |
| OFF | Turn off the jukebox. |

Changing the repeat setting

- 1 Press [PLAY MENU] to select "PLAYMODE".
- 2 Press [▲, ▼] to select the setting and then press [OK].

| | |
|------------------------|-------------------------|
| RANDOM REPEAT RND ⌚ | Repeat random playback. |
| ALL TITLE REPEAT ⌚ | Repeat all tracks. |

Note:

- The system turns to repeat mode automatically when you turn on the jukebox.
- The jukebox is turned off when you turn off the system or change to another source.
- The cross-fade function may not work between songs that have different sampling frequencies.

Using the "Panasonic MAX Juke" app

You can download and install the free Android™ app "Panasonic MAX Juke" on Google Play™ for additional features, such as to request song playback from multiple devices simultaneously. You can also call up the tracks you want to play through the app. For details on the app, refer to the site below.

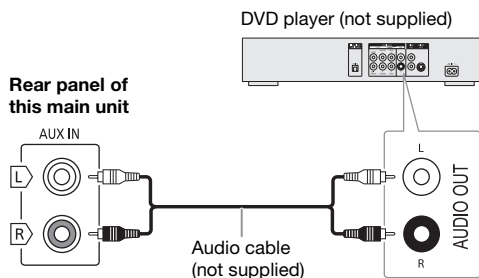
http://av.jpn.support.panasonic.com/support/global/cs/audio/app/max_juke/android/index.html
(This site is in English only.)

External equipment

You can connect a VCR, DVD player etc., and listen to the audio through this system.

Preparation

- Disconnect the AC power supply cord.
- Turn off all equipment and read the appropriate operating instructions.



1 Connect the external equipment.

2 Press [RADIO/AUX] to select "AUX".

3 Play the external equipment.

To adjust the input level

1 Press [PLAY MENU] to select "INPUT LEVEL".

2 Press [▲, ▼] to select "NORMAL" or "HIGH" and then press [OK].

Note:

- Select "NORMAL" if the sound is distorted during "HIGH" input level.
- Components and cables are sold separately.
- If you want to connect equipment other than those described, refer to the audio dealer.
- Sound distortion can occur when you use an adapter.

Others

Illumination

You can turn on or turn off the illumination on the system.

1 Press [SETUP] to select "ILLUMINATION".

2 Press [▲, ▼] to select "ON" and then press [OK].
To cancel, select "OFF".

Auto off

This system automatically turns off when you do not use it for approximately 20 minutes.

1 Press [SETUP] to select "AUTO OFF".

2 Press [▲, ▼] to select "ON" and then press [OK].
To cancel, select "OFF".

Note:

This function does not work when you are in radio source or when a Bluetooth® device is connected.

Bluetooth® standby

This function automatically turns on the system when you establish a Bluetooth® connection from a paired device.

1 Press [SETUP] to select "BLUETOOTH STANDBY".

2 Press [▲, ▼] to select "ON" and then press [OK].
To cancel, select "OFF".

Note:

Some devices may take longer to respond. If you are connected to a Bluetooth® device before turning off the system, wait for a minimum of 5 seconds before connecting to this system from your Bluetooth® device again.

Software version

You can check the software version of the system.

1 Press [SETUP] to select "SW VER." and then press [OK].
The software version is shown.

2 Press [OK] again to exit.

Troubleshooting

Before requesting service, make the following checks. If you are in doubt about some of the check points, or if the solutions indicated do not solve the problem, consult your dealer for instructions.

Common problems

The unit does not work.

- The safety device has been activated. Do the following:
 1. Press [⏻/⏪] on the main unit to turn the unit to standby mode. If the unit does not turn to standby mode,
 - Press and hold the button for a minimum of 10 seconds. Or,
 - Disconnect the AC power supply cord and then connect it again.
 2. Press [⏻/⏪] again to turn on the unit. If the problem persists, consult your dealer.

The display panel lights up and changes continuously in standby mode.

- Press and hold [■] on the main unit to select "DEMO OFF".

No operations can be done with the remote control.

- Examine that the battery is installed correctly.

Sound is distorted or no sound.

- Adjust the volume of the system.
- Turn off the system, determine and correct the cause, and then turn on again. It can be caused by straining of the speakers through excessive volume or power, and when using the system in a hot environment.

A humming sound can be heard during playback.

- An AC power supply cord or fluorescent light is near the cables. Keep other appliances and cords away from the cables of this system.

The sound level reduces.

- The protection circuit has been activated due to the continuous use at high volume output. This is to protect the system and maintain the sound quality.

Disc

Display not shown correctly.

Playback does not start.

- You have not put in the disc correctly. Put it in correctly.
- Disc is dirty. Clean the disc.
- Replace the disc if it is scratched, warped, or non-standard.
- There is condensation. Let the system dry for 1 to 2 hours.

The total number of tracks displayed is incorrect.

The disc cannot be read.

Distorted sound is heard.

- You put in a disc that the system cannot play. Change to a playable disc.
- You put in a disc that has not been finalized.

USB

The USB device or the contents in it cannot be read.

- The format of the USB device or the contents in it are not compatible with the system.
- USB devices with storage capacity of more than 32 GB cannot work in some conditions.

Slow operation of the USB device.

- Large content size or large memory USB device takes longer time to read.

Bluetooth®

Pairing cannot be done.

- Check the Bluetooth® device condition.
- The device is out of the 10 m (33 ft) communication range. Move the device nearer to the system.

The device cannot be connected.

- The pairing of the device was unsuccessful. Do pairing again.
- The pairing of the device has been replaced. Do pairing again.
- This system might be connected to a different device. Disconnect the other device and try pairing the device again.
- The system may have a problem. Turn off the system and then turn on again.

The device is connected but audio cannot be heard through the system.

- For some built-in Bluetooth® devices, you have to set the audio output to "SC-UX100" manually. Read the operating instructions of the device for details.

Sound from the device is interrupted.

- The device is out of the 10 m (33 ft) communication range. Move the device nearer to the system.
- Remove any obstacle between the system and the device.
- Other devices that use the 2.4 GHz frequency band (wireless router, microwaves, cordless phones, etc.) are interfering. Move the device nearer to the system and distance it from the other devices.
- Select "MODE 1" for stable communication.

Radio

Sound is distorted.

- Use an optional outdoor antenna. The antenna should be installed by a competent technician.

A beat sound is heard.

- Turn off the TV or move it away from the system.
- Move cell phones away from the system if the interference is apparent.

Main unit displays

“--:--”

- Track play time is more than 99 minutes.

“ADJUST CLOCK”

- The clock is not set. Adjust the clock.

“ADJUST TIMER”

- The play timer is not set. Adjust the play timer.

“AUTO OFF”

- The system has not been used for 20 minutes and will turn off within a minute. To cancel, press any button.

“ERROR”

- An incorrect operation was done. Read the instructions and try again.

“F61”

- Examine and correct the speaker cords connection.
- Disconnect the USB device. Turn off the system and then turn on again.

“F703”

- Examine the Bluetooth® connection.
- Disconnect the Bluetooth® device. Turn off the system and then turn on again.

“F76”

- There is a problem with the power supply.
- Disconnect the AC power supply cord and consult your dealer.

“F77”

- Disconnect the AC power supply cord and consult your dealer.

“NO DISC”

- You have not put in a disc.

“NO PLAY”

“UNSUPPORT”

- Examine the content. You can only play supported format.
- The system may have a problem. Turn off the system and then turn on again.

“NO TRACK”

- There is no album or track in the USB device.

“PLAYERROR”

- An unsupported MP3 file has been played. The system will skip that track and play the next one.

“REMOTE 1”

“REMOTE 2”

- The remote control and the main unit are using different codes. Change the code of the remote control.
 - When “REMOTE 1” is shown, press and hold [OK] and [Ⓜ] on the remote control for a minimum of 4 seconds.
 - When “REMOTE 2” is shown, press and hold [OK] and [USB/CD] on the remote control for a minimum of 4 seconds.

“TEMP NG”

- The temperature protection circuit has been activated, and the system will turn off. Let the unit cool down before turning it on again.
- Check that the ventilation opening of the unit is not obstructed.
- Ensure this unit is well ventilated.

“USB NO DEVICE”

- The USB device is not connected. Examine the connection.

“USB OVER CURRENT ERROR”

- The USB device is using too much power. Disconnect the USB device, turn off the system and then turn on again.

“VBR”

- The system cannot show the remaining play time for variable bit rate (VBR) tracks.

Remote control code

When other Panasonic equipment responds to the remote control of this system, change the remote control code for this system.

Preparation

Press [USB/CD] to select “CD”.

To set the code to “REMOTE 2”

- 1 Press and hold [USB/CD] on the main unit and [USB/CD] on the remote control until “REMOTE 2” is shown.
- 2 Press and hold [OK] and [USB/CD] on the remote control for a minimum of 4 seconds.

To set the code to “REMOTE 1”

- 1 Press and hold [USB/CD] on the main unit and [Ⓜ] on the remote control until “REMOTE 1” is shown.
- 2 Press and hold [OK] and [Ⓜ] on the remote control for a minimum of 4 seconds.

System memory reset

Reset the memory when the following situations occur:

- There is no response when buttons are pressed.
- You want to clear and reset the memory contents.

- 1 Disconnect the AC power supply cord.
- 2 While you press and hold [⏻] on the main unit, connect the AC power supply cord again. Continue to press and hold the button until “-----” is shown.
- 3 Release [⏻].
All the settings are set back to the factory preset. It is necessary to set the memory items again.

Specifications

Amplifier section

RMS output power stereo mode

| | |
|-----------------------------|---|
| Front Ch (both ch driven) | 150 W per channel (4 Ω), 1 kHz, 30% THD |
| Total RMS stereo mode power | 300 W |

FTC output power stereo mode

| | |
|-----------------------------|---|
| Front Ch (both ch driven) | 75 W per channel (4 Ω), 50 Hz to 20 kHz, 1% THD |
| Total FTC stereo mode power | 150 W |

Tuner, terminals section

Frequency modulation (FM)

| | |
|-------------------|--|
| Preset memory | 30 stations |
| Frequency range | 87.9 MHz to 107.9 MHz (200 kHz step) 87.5 MHz to 108.0 MHz (100 kHz step) |
| Antenna terminals | 75 Ω (unbalanced) |

Analog audio input

| | |
|-------------|---------------------|
| Audio input | Pin jack (1 system) |
|-------------|---------------------|

Disc section

Disc played [8 cm (3") or 12 cm (5")]

CD, CD-R/RW (CD-DA, MP3*)

* MPEG-1 Layer 3

Pick up

| | |
|------------|-------------|
| Wavelength | 790 nm (CD) |
|------------|-------------|

USB section

USB port

| | |
|---------------------------|---------------------|
| USB standard | USB 2.0 full speed |
| Media file format support | MP3 (*.mp3) |
| USB device file system | FAT12, FAT16, FAT32 |

Bluetooth® section

| | |
|---------------------|----------------------------|
| Version | Bluetooth® Ver. 2.1 + EDR |
| Class | Class 2 |
| Supported profiles | A2DP, AVRCP, SPP |
| Operating frequency | 2.4 GHz band FH-SS |
| Operation distance | 10 m (33 ft) line of sight |

Speaker section

Speaker unit(s)

| | |
|---------|--|
| Woofer | 13 cm (5 1/8") cone type x 1 per channel |
| Tweeter | 5 cm (2") cone type x 1 per channel |

Impedance 4 Ω

Dimensions (W x H x D) 181 mm x 308 mm x 165 mm
(7 1/8" x 12 1/8" x 6 1/2")

Mass (Weight) 2 kg (4.4 lbs)

General

Power supply AC 120 V, 60 Hz

Power consumption 49 W

Dimensions (W x H x D) 250 mm x 132 mm x 227 mm
(9 27/32" x 5 5/32" x 9 15/16")

Mass (Weight) (SA-UX100) 1.7 kg (3.7 lbs)

Operating temperature range 0°C to +40°C (+32°F to +104°F)

Operating humidity range 35% to 80% RH (no condensation)

Power consumption in standby mode (approximate)

0.5 W

Power consumption in standby mode (approximate) (With "BLUETOOTH STANDBY" set to "ON")

0.6 W

Note:

- Specifications are subject to change without notice.
- Mass (Weight) and dimensions are approximate.
- Total harmonic distortion is measured by the digital spectrum analyzer.

User memo:

DATE OF PURCHASE _____

DEALER NAME _____

DEALER ADDRESS _____

TELEPHONE NUMBER _____

The model number and serial number of this product can be found on either the back or the bottom of the unit. Please note them in the space provided below and keep for future reference.

MODEL NUMBER SC-UX100 _____

SERIAL NUMBER _____

Limited Warranty (ONLY FOR CANADA)

Panasonic Canada Inc.

5770 Ambler Drive, Mississauga, Ontario L4W 2T3

PANASONIC PRODUCT – LIMITED WARRANTY

Panasonic Canada Inc. warrants this product to be free from defects in material and workmanship under normal use and for a period as stated below from the date of original purchase agrees to, at its option either (a) repair your product with new or refurbished parts, (b) replace it with a new or a refurbished equivalent value product, or (c) refund your purchase price. The decision to repair, replace or refund will be made by Panasonic Canada Inc.

| | |
|-------------------------------------|---------------------------------------|
| Panasonic BD/DVD Product | One (1) year, parts and labour |
| Panasonic Audio Receivers | One (1) year, parts and labour |
| Home Theater Systems Product | One (1) year, parts and labour |

This warranty is given only to the original purchaser, or the person for whom it was purchased as a gift, of a Panasonic brand product mentioned above sold by an authorized Panasonic dealer in Canada and purchased and used in Canada, which product was not sold "as is", and which product was delivered to you in new condition in the original packaging.

IN ORDER TO BE ELIGIBLE TO RECEIVE WARRANTY SERVICE HEREUNDER, A PURCHASE RECEIPT OR OTHER PROOF OF DATE OF ORIGINAL PURCHASE, SHOWING AMOUNT PAID AND PLACE OF PURCHASE IS REQUIRED

LIMITATIONS AND EXCLUSIONS

This warranty **ONLY COVERS** failures due to defects in materials or workmanship, and **DOES NOT COVER** normal wear and tear or cosmetic damage. The warranty **ALSO DOES NOT COVER** damages which occurred in shipment, or failures which are caused by products not supplied by Panasonic Canada Inc., or failures which result from accidents, misuse, abuse, neglect, mishandling, misapplication, alteration, faulty installation, set-up adjustments, misadjustment of consumer controls, improper maintenance, power line surge, lightning damage, modification, introduction of sand, humidity or liquids, commercial use such as hotel, office, restaurant, or other business or rental use of the product, or service by anyone other than an Authorized Servicer, or damage that is attributable to acts of God.

Dry cell batteries are also excluded from coverage under this warranty.

THIS EXPRESS, LIMITED WARRANTY IS IN LIEU OF ALL OTHER WARRANTIES, EXPRESS OR IMPLIED, INCLUDING ANY IMPLIED WARRANTIES OF MERCHANTABILITY AND FITNESS FOR A PARTICULAR PURPOSE. IN NO EVENT WILL PANASONIC CANADA INC. BE LIABLE FOR ANY SPECIAL, INDIRECT OR CONSEQUENTIAL DAMAGES RESULTING FROM THE USE OF THIS PRODUCT OR ARISING OUT OF ANY BREACH OF ANY EXPRESS OR IMPLIED WARRANTY. (As examples, this warranty excludes damages for lost time, travel to and from the Authorized Servicer, loss of or damage to media or images, data or other memory or recorded content. This list of items is not exhaustive, but for illustration only.)

In certain instances, some jurisdictions do not allow the exclusion or limitation of incidental or consequential damages, or the exclusion of implied warranties, so the above limitations and exclusions may not be applicable. This warranty gives you specific legal rights and you may have other rights which vary depending on your province or territory.

WARRANTY SERVICE

For product operation, repairs and information assistance, please visit our Support page:

www.panasonic.ca/english/support

IF YOU SHIP THE PRODUCT TO A SERVICENTRE

Carefully pack and send prepaid, adequately insured and preferably in the original carton.

Include details of the defect claimed, and proof of date of original purchase.

Panasonic Canada Inc.



5770 Ambler Drive,
Mississauga, Ontario,
L4W 2T3

www.panasonic.com

© Panasonic Corporation 2016
Printed in Malaysia

TQBJ0973
L0816LC0

Su sistema y las ilustraciones pueden diferir.
Este manual es para el sistema siguiente.

| | |
|-------------------------|----------|
| Sistema | SC-UX100 |
| Unidad principal | SA-UX100 |
| Bocinas | SB-UX100 |

LO QUE SIGUE SE APLICA SOLAMENTE EN LOS ESTADOS UNIDOS Y EL CANADÁ

Este dispositivo cumple con la Parte 15 de las Reglas de la FCC y la Industria de Canadá estándar(es) RSS exentos de licencia. La operación de este equipo está sujeta a las siguientes dos condiciones:

(1) es posible que este dispositivo no cause interferencia y (2) este dispositivo debe aceptar toda interferencia, incluida la interferencia que podría causar su operación no deseada de este dispositivo.

Índice

| | |
|--|----|
| INSTRUCCIONES IMPORTANTES DE SEGURIDAD . . . | 2 |
| Medidas de seguridad | 3 |
| Referencias | 4 |
| Accesorios suministrados | 4 |
| Mantenimiento | 4 |
| Colocación de las bocinas | 5 |
| Cómo realizar las conexiones | 5 |
| Visión general de los controles | 6 |
| Cómo preparar el control remoto | 6 |
| Cómo preparar los medios | 7 |
| Reproducción de medios | 8 |
| Radio | 9 |
| Reloj y temporizadores | 10 |
| Efectos de sonido | 11 |
| Jukebox | 11 |
| Equipo externo | 12 |
| Otros | 12 |
| Solución de problemas | 13 |
| Especificaciones | 15 |

INSTRUCCIONES IMPORTANTES DE SEGURIDAD

Lea estas instrucciones de funcionamiento minuciosamente antes de usar la unidad. Siga las instrucciones de seguridad en la unidad y las instrucciones de seguridad aplicables enumeradas abajo. Mantenga estas instrucciones de funcionamiento a mano para consultas futuras.

1. Lea estas instrucciones.
2. Guarde estas instrucciones.
3. Ponga atención a todas las advertencias.
4. Siga todas las instrucciones.
5. No use este aparato cerca del agua.
6. Límpielo solamente con un paño seco.
7. No bloquee las aberturas de ventilación. Instale en conformidad con las instrucciones del fabricante.
8. No instale cerca de fuentes de calor, como es el caso de radiadores, calefacciones, estufas u otros aparatos (incluyendo amplificadores) que producen calor.
9. No viole el dispositivo de seguridad del enchufe polarizado o del tipo de conexión a tierra. Un enchufe polarizado tiene dos cuchillas, una es más ancha que la otra. Un enchufe del tipo de conexión a tierra tiene dos cuchillas y una tercera clavija para conexión a tierra. La cuchilla ancha o la tercera cuchilla se suministran para su seguridad. Si el enchufe suministrado no encaja en su tomacorriente, consulte a un electricista para el reemplazo del tomacorriente obsoleto.
10. Proteja el cable de alimentación para evitar que lo pisen o pinchen, especialmente en el área del enchufe, tomacorriente, o en el punto en el que sale del aparato.
11. Use sólo los aditamentos/accesorios especificados por el fabricante.
12. Use solo con el carrito, base, trípode, soporte o mesa especificados por el fabricante, o vendido con el aparato. Cuando se usa un carrito, tenga cuidado al mover la combinación carrito/aparato para evitar daños físicos al voltearse la misma.
13. Desconecte este aparato durante tormentas eléctricas o cuando no se vaya a usar durante períodos prolongados.
14. Refiera todo el servicio a un personal de servicio calificado. Se necesita suministrar servicio cuando el aparato se ha dañado de cualquier forma, como por ejemplo, si se daña el cable de alimentación o el enchufe; si se derrama líquido o caen objetos en el interior del aparato; si el aparato se ha expuesto a la lluvia o a la humedad; si no opera normalmente; o, si se ha dejado caer.



Medidas de seguridad

¡ADVERTENCIA!

Unidad

- Para reducir el riesgo de incendios, descargas eléctricas o daños en el producto,
 - No exponga esta unidad a la lluvia, humedad, goteo o salpicaduras.
 - No coloque objetos con líquidos, como por ejemplo floreros, encima de esta unidad.
 - Utilice solamente los accesorios recomendados.
 - No retire las tapas.
 - No repare esta unidad usted mismo. Refiera el servicio al personal calificado.
 - No permita que objetos de metal caigan dentro esta unidad.

¡PRECAUCIÓN!

Unidad


- Para reducir el riesgo de incendios, descargas eléctricas o daños en el producto,
 - Para mantener bien ventilada esta unidad, no la instale ni ponga en un estante de libros, mueble empotrado u otro espacio de dimensiones reducidas.
 - No obstruya las aberturas de ventilación de la unidad con periódicos, manteles, cortinas u objetos similares.
 - No coloque objetos con llama descubierta, una vela por ejemplo, encima de esta unidad.
- Esta unidad utiliza un láser. El usar los controles, hacer los ajustes o los pasos requeridos en forma diversa de la aquí expuesta puede redundar en exposición peligrosa a la radiación.
- Coloque la unidad en una superficie plana lejos de la luz directa del sol, altas temperaturas, mucha humedad, y vibración excesiva.

Cable de alimentación de CA

- El enchufe del equipo es el acceso principal a la corriente eléctrica o al corte de energía. Instale esta unidad de manera que el cable de alimentación se pueda desenchufar desde el tomacorriente inmediatamente si ocurre un problema.

Pila

- Hay peligro de explosión si se sustituye incorrectamente la pila. Sólo sustituya con el tipo recomendado por el fabricante.
- Al desechar las pilas, comuníquese con sus autoridades locales o con su distribuidor y pregunte sobre el método correcto de eliminación.
- No caliente o exponga a las llamas.
- No deje la(s) pila(s) en un automóvil expuesto a luz solar directa durante un largo período de tiempo con las puertas y ventanas cerradas.
- No desarme o provoque un cortocircuito con la pila.
- No intente recargar una pila alcalina o de manganoso.
- No use una pila cuya cubierta haya sido arrancada.
- Saque la pila si no va a usar el control remoto durante un período prolongado. Guárdelas en un lugar fresco y oscuro.

| | | |
|---|---|---|
|  | PRECAUCIÓN RIESGO DE DESCARGA ELÉCTRICA NO ABRIR |  |
| PRECAUCIÓN: PARA REDUCIR EL RIESGO DE SACUDIDA ELÉCTRICA, NOQuite LOS TORNILLOS. NO EXISTEN EN EL INTERIOR PIEZAS REPARABLES POR EL USUARIO. REFIERA EL SERVICIO AL PERSONAL CALIFICADO. | | |



El símbolo del rayo con punta de flecha dentro de un triángulo equilátero pretende alertar al usuario de la presencia de “voltaje peligroso” no aislado dentro del mueble del producto, que puede ser de magnitud suficiente como para constituir riesgo de sacudida eléctrica a las personas.



El signo de admiración dentro de un triángulo equilátero pretende alertar al usuario de la existencia de importantes instrucciones de operación y mantenimiento (servicio) en el material impreso adjunto al aparato.

LO QUE SIGUE SE APLICA SOLAMENTE EN LOS ESTADOS UNIDOS

Nota de la FCC:

Este equipo ha sido probado y se ha observado que cumple con los límites para un dispositivo digital de Clase B, de conformidad con la Parte 15 de las Reglas de la FCC.

Estos límites se diseñaron para brindar protección razonable contra la interferencia dañina en una instalación residencial. Este equipo genera, usa y puede irradiar energía de radiofrecuencias y, si no se instala y usa de conformidad con las instrucciones, podría causar interferencia dañina en las comunicaciones por radio. Sin embargo, no existe garantía de que la interferencia no ocurrirá en una instalación específica. Si este equipo llega a causar interferencia dañina en la recepción de emisiones de radio o televisión, lo cual se puede determinar al apagar y encender el equipo, se recomienda al usuario que trate de corregir la interferencia con una o más de las medidas siguientes:

- Reorientar o reubicar la antena receptora.
- Aumentar la separación entre el equipo y el receptor.
- Conectar el equipo a un tomacorriente de un circuito distinto al circuito en el que está conectado el receptor.
- Consultar al distribuidor o a un técnico de radio/TV experimentado para que le brinden ayuda.

Todo cambio o modificación no autorizados de este equipo anulará la autoridad del usuario para operar este dispositivo.

Este dispositivo cumple con la Parte 15 de las Reglas de la FCC. La operación de este equipo está sujeta a las siguientes dos condiciones:

- (1) Es posible que este equipo o dispositivo no cause interferencia perjudicial y (2) este dispositivo debe aceptar toda interferencia recibida, incluida la interferencia que podría causar su operación no deseada.

Parte responsable:

Panasonic Corporation of North America
Two Riverfront Plaza, Newark, NJ 07102-5490

Contacto de Soporte:

<http://shop.panasonic.com/support>

Referencias

Acerca de Bluetooth®

Panasonic no se responsabiliza por datos y/o información que podrían correr algún riesgo durante la transmisión inalámbrica.

Banda de frecuencia

- Este sistema utiliza la banda de frecuencia de 2.4 GHz.

Certificación

- Este sistema cumple con las restricciones de frecuencia y tiene una certificación recibida basada en las leyes de frecuencia. Por lo tanto, no se necesita un permiso de conexión inalámbrica.
- Las siguientes acciones son castigadas por la ley:
 - Separar o modificar la unidad principal.
 - Retirar las indicaciones de la especificación.

Restricciones de uso

- No se garantiza la transmisión inalámbrica o el uso con todos los dispositivos equipados con Bluetooth®.
- Todos los dispositivos deben cumplir con las normas establecidas por Bluetooth SIG, Inc.
- Según las especificaciones y los ajustes de un dispositivo, es posible que no se pueda conectar o algunas operaciones pueden ser diferentes.
- Este sistema admite las funciones de seguridad de Bluetooth®. Según los ajustes o el ambiente de operación, es posible que esta seguridad no sea suficiente. Transmita, con cuidado, los datos de forma inalámbrica a este sistema.
- Este sistema no puede transmitir los datos a un dispositivo Bluetooth®.

Rango de uso

- Use este dispositivo en un rango máximo de 10 m (33 pies).
- El rango se puede disminuir según el ambiente, los obstáculos o la interferencia.

Interferencia de otros dispositivos

- Este sistema puede no funcionar correctamente y los problemas como ruido y saltos de sonido pueden surgir debido a la interferencia de ondas de radio, si esta unidad está ubicada demasiado cerca de otros dispositivos Bluetooth® o de dispositivos que usan la banda 2.4 GHz.
- Este sistema puede no funcionar correctamente si las ondas de radio de una estación de emisión cercana, etc. son demasiado fuertes.

Uso previsto

- Este sistema es para el uso general normal solamente.
- No use este sistema cerca de un equipo o en un ambiente sensible a la interferencia de la frecuencia de radio (ejemplo: aeropuertos, hospitales, laboratorios, etc.).

Licencias

La marca Bluetooth® y sus logos son marcas registradas propiedad de Bluetooth SIG, Inc. y cualquier uso de dichas marcas por parte de Panasonic Corporation se realiza bajo licencia. Otros nombres de marcas y marcas comerciales son propiedad de sus respectivos propietarios.

Google Play y Android son marcas comerciales de Google Inc.

Tecnología de codificación de audio MPEG de Layer-3 con licencia de Fraunhofer IIS y Thomson.

Accesorios suministrados

Verifique e identifique los accesorios suministrados.

Use los números indicados entre paréntesis cuando solicite las piezas de repuesto. (Números de productos correctos para agosto de 2016. Esto podría cambiar.)

Para ordenar accesorios, llame al distribuidor donde hizo la compra.

- 1 Cable de alimentación de CA**
(K2CB2CB00022)

- 1 Antena interior de FM**
(RSAX0002)



- 1 Control remoto**
(N2QAYB001093)

- 1 Pila del control remoto**

(Solo para Canadá)

La hoja de etiquetas en francés canadiense corresponde a la impresión en inglés en la parte delantera y trasera de la unidad principal.

Mantenimiento

Utilice un paño suave y seco para limpiar este sistema.

- Nunca utilice alcohol, diluyente de pintura ni gasolina para limpiar este sistema.
- Antes de utilizar un paño impregnado químicamente, lea con atención las instrucciones suministradas con el mismo.

Colocación de las bocinas

Las bocinas izquierda y derecha son iguales.

Utilice solamente las bocinas suministradas.

Puede dañar el sistema y disminuir la calidad del sonido si usa otras bocinas.

Nota:

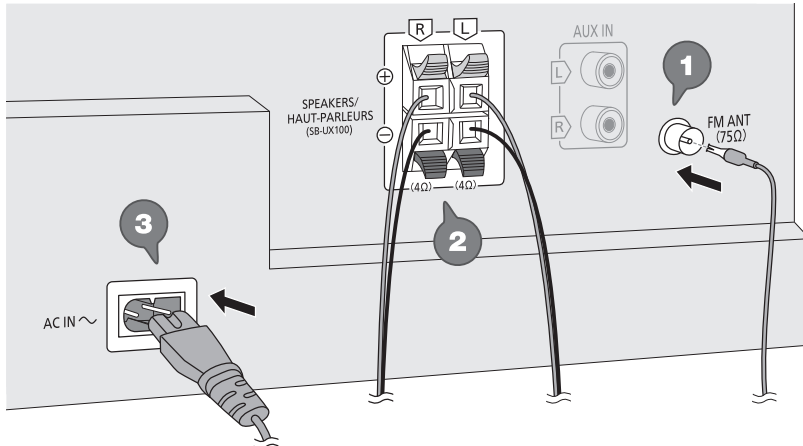
- Mantenga sus bocinas alejadas un mínimo de 10 mm ($\frac{13}{32}$ ") del sistema para disponer de una ventilación apropiada.
- Coloque las bocinas sobre una superficie plana segura.
- Estas bocinas no disponen de blindaje magnético. No las ponga cerca de televisores, computadoras personales y otros equipos a los que afecte fácilmente el magnetismo.
- Realizar la reproducción a altos niveles durante un período prolongado puede provocar daños en las bocinas y reducir la vida útil de ellas.
- Baje el volumen en las siguientes condiciones para evitar daños:
 - Cuando se distorsiona el sonido.
 - Cuando ajuste la calidad del sonido.

¡PRECAUCIÓN!

- Use las bocinas sólo con el sistema recomendado. De lo contrario, puede provocar daños al amplificador y las bocinas y provocar un incendio. Consulte a un técnico de servicio especializado si se ha producido algún daño o si se ha producido un cambio repentino en su funcionamiento.
- No modifique las bocinas ni los cables de las bocinas ya que esto puede causar daños en el sistema.
- Lleve a cabo los procedimientos incluidos en estas instrucciones cuando instale las bocinas.
- No toque las superficies resonantes del cono de la bocina:
 - Esto podría dañar el cono de la bocina.
 - El cono de la bocina podría calentarse.

Cómo realizar las conexiones

Conecte el cable de alimentación de CA sólo después de haber hecho todas las demás conexiones.



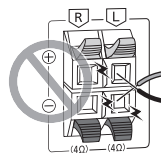
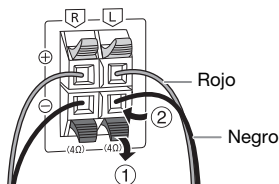
Al enchufe de conexión a la red de CA

1 Conecte la antena interior de FM.

Coloque la antena donde la recepción sea la mejor.

2 Conecte las bocinas.

Conecte los cables de la bocina a las terminales del mismo color.



Tenga cuidado de no cortocircuitar ni invertir la polaridad de los cables de las bocinas, ya que pueden dañarse.

3 Conecte el cable de alimentación de CA.

No utilice otro cable de alimentación de CA que no sea el suministrado.

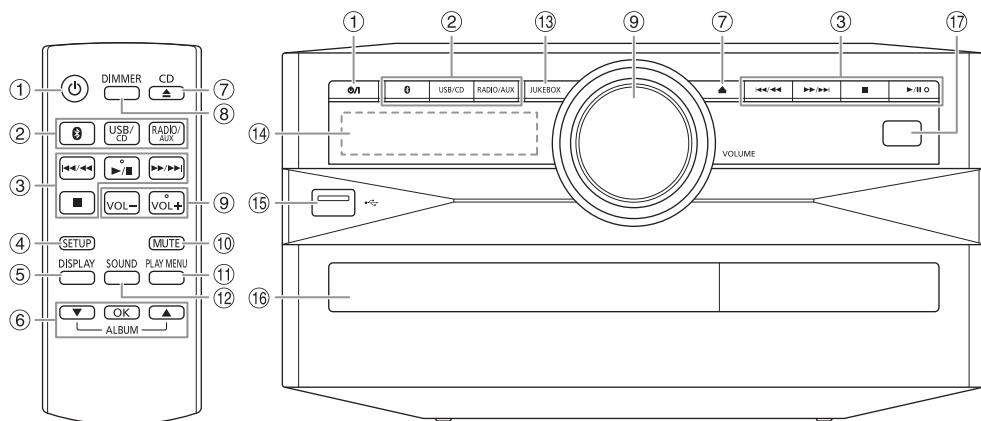
Cómo ahorrar energía

El sistema consume una pequeña cantidad de corriente alterna, incluso cuando está en modo de espera. Desconecte la fuente de alimentación cuando no use el sistema.

Se perderán algunas configuraciones cuando desconecte el sistema. Tendrá que configurarlas nuevamente.

Visión general de los controles

Lleve a cabo los procedimientos con el control remoto. Usted también puede usar los botones de la unidad principal si son iguales.



① Interruptor de alimentación en espera/conectada [⏻], [⏻]

Pulse este interruptor para cambiar del modo de alimentación conectada al modo de alimentación en espera o viceversa. En el modo de alimentación en espera, la unidad consume una pequeña cantidad de corriente.

② Selecciona la fuente de audio

En la unidad principal:
Para iniciar a emparejar el Bluetooth®, pulse y mantenga pulsado [📶].

③ Control de reproducción básica

④ Muestra el menú de configuración

⑤ Ve la información del contenido

⑥ Selecciona o confirma la opción

⑦ Abre o cierra la bandeja del disco

⑧ Disminuye el brillo del panel de visualización

La iluminación también se apagó.
Para cancelar, pulse el botón nuevamente.

⑨ Ajusta el nivel de volumen

⑩ Silencia el sonido

Para cancelar, pulse el botón nuevamente.
“MUTE” también se cancela cuando usted ajusta el volumen o cuando apaga el sistema.

⑪ Muestra el menú de reproducción

⑫ Selecciona los efectos de sonido

⑬ Seleccione jukebox

⑭ Panel de visualización

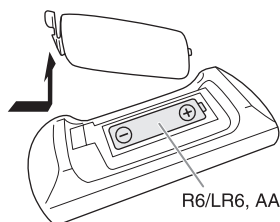
⑮ Puerto USB (←→)

⑯ Bandeja de disco

⑰ Sensor del control remoto

Distancia: A aproximadamente 7 m (23 pies)
Ángulo: Aproximadamente 20° hacia arriba y hacia abajo, 30° a la izquierda y derecha

Cómo preparar el control remoto



Use una pila alcalina o de manganeso.

Instale la pila de modo que los polos (+ y -) queden alineados con los del control remoto.

Cómo preparar los medios

Disco

- 1 Pulse [CD ▲] (unidad principal: [▲]) para abrir la bandeja del disco.**
Coloque un disco con la etiqueta hacia arriba.
Pulse nuevamente para cerrar la bandeja del disco.
- 2 Pulse [USB/CD] para seleccionar "CD".**

USB

Preparación

Antes de conectar su dispositivo USB al sistema, asegúrese de realizar una copia de respaldo de los datos.

- 1 Reduzca el volumen y conecte el dispositivo USB al puerto USB.**
Sujete la unidad principal al conectar o desconectar el dispositivo USB.
- 2 Pulse [USB/CD] para seleccionar "USB".**

Nota:

- No use un cable de extensión USB. El sistema no puede reconocer el dispositivo USB conectado a través de un cable.
- Para dispositivos USB pequeños, puede unir un cordón o una cuerda en el orificio del dispositivo de modo que pueda ser desconectado fácilmente.
- Algunos dispositivos no se podrán cargar, ya que la corriente máxima de carga en la USB es de solo 500 mA.

Bluetooth®

Puede conectar y reproducir un dispositivo de audio de manera inalámbrica a través de Bluetooth®.

Preparación

- Encienda la opción de Bluetooth® en el dispositivo y ponga el dispositivo cerca del sistema.
- Lea las instrucciones de operación del dispositivo para obtener más detalles.

Emparejar un dispositivo

Preparación

Si este sistema está conectado a un dispositivo Bluetooth®, desconéctelo (➔ "Desconexión del dispositivo").

- 1 Pulse [⊗].**
Si visualiza "PAIRING", continúe con el paso 3.
- 2 Pulse [PLAY MENU] para seleccionar "PAIRING" y después pulse [OK].**
- 3 Seleccionar "SC-UX100" desde el menú Bluetooth® del dispositivo.**
Si le pide clave de acceso, ingrese "0000".
El dispositivo se conecta con el sistema automáticamente, después que se hubiera completado el emparejamiento.
Se visualiza el nombre del dispositivo conectado durante unos segundos.

Uso de la unidad principal

- 1 Pulse y mantenga pulsado [⊗] hasta que se visualice "PAIRING".**
- 2 Seleccionar "SC-UX100" desde el menú Bluetooth® del dispositivo.**

Nota:

Se pueden parear hasta 8 dispositivos con este sistema. Si se esta pareando un 9° dispositivo, se reemplazará el dispositivo que no se usó por un período de tiempo más largo.

Cómo conectar un dispositivo

Preparación

Si este sistema está conectado a un dispositivo Bluetooth®, desconéctelo (➔ "Desconexión del dispositivo").

- 1 Pulse [⊗].**
Se visualiza "BLUETOOTH READY".
- 2 Seleccionar "SC-UX100" desde el menú Bluetooth® del dispositivo.**
Se visualiza el nombre del dispositivo conectado durante unos segundos.
- 3 Inicie la reproducción en el dispositivo.**

Nota:

- Para conectarse, un dispositivo debe estar pareado.
- El sistema sólo puede conectarse a un dispositivo a la vez.
- Cuando seleccione "BLUETOOTH" como la fuente, este sistema tratará de conectarse automáticamente al último dispositivo conectado. ("LINKING" se visualizará durante este proceso.)

Desconexión del dispositivo

- 1 Pulse [⊗].**
- 2 Pulse [PLAY MENU] para seleccionar "DISCONNECT?".**
- 3 Pulse [▲, ▼] para seleccionar "OK? YES" y después pulse [OK].**
Se visualiza "BLUETOOTH READY".
Para cancelar, seleccione "OK? NO".

Uso de la unidad principal

Pulse y mantenga pulsado [⊗] hasta que se visualice "PAIRING".

Nota:

Un dispositivo se desconecta cuando:

- Selecciona una fuente diferente.
- Mueva el dispositivo fuera del alcance máximo.
- Desactiva la transmisión Bluetooth® del dispositivo.
- Apaga el sistema o el dispositivo.

Reproducción de medios

Las siguientes marcas indican la disponibilidad de la función.

CD: CD-R/RW en formato CD-DA o con archivos MP3.

USB: Dispositivo USB con archivos MP3.

BLUETOOTH: Dispositivo Bluetooth®.

Reproducción básica

CD USB BLUETOOTH

| | |
|------------|---|
| Reproducir | Pulse [▶/] . |
| Detener | Pulse [■] . USB Se memorizará la posición. Se visualiza "RESUME". Pulse nuevamente para detener totalmente. |
| Pausar | Pulse [▶/] . Pulse nuevamente para reanudar la reproducción. |
| Saltar | Pulse [◀◀/▶▶] o [▶▶/▶▶] para saltar la pista. CD USB Pulse [▲, ▼] para saltar el álbum MP3. |
| Buscar | Pulse y mantenga pulsado [◀◀/▶▶] o [▶▶/▶▶] . |

Nota:
Según el dispositivo Bluetooth®, algunas operaciones pueden no funcionar.

Ver información disponible

CD USB BLUETOOTH

Puede ver la información disponible, como el álbum MP3 y el número de pista, en el panel de visualización.

Pulse [DISPLAY].

Ejemplo: Visualización del número de pista y álbum MP3.



Número de álbum Número de pista

Nota:

- Caracteres máximos que se pueden mostrar: Aproximadamente 32
- Este sistema es compatible con las etiquetas ID3 (versión 1.0, 1.1 y 2.3).
- La información de texto que el sistema no soporta puede mostrarse de modo distinto.

Menú de reproducción

CD USB

1 **CD**
Pulse **[PLAY MENU]**.

USB
Pulse **[PLAY MENU]** para seleccionar "PLAYMODE".

2 Pulse **[▲, ▼]** para seleccionar la configuración y después pulse **[OK]**.

| | |
|------------------------------------|--|
| OFF PLAYMODE | Cancela la configuración. |
| 1-TRACK 1 | Reproducir una pista seleccionada. Pulse [◀◀/▶▶] o [▶▶/▶▶] para seleccionar la pista. |
| 1-ALBUM 1 | Reproducir un álbum MP3 seleccionado. Pulse [▲, ▼] para seleccionar el álbum MP3. |
| RANDOM RND | Reproducir todas las pistas aleatoriamente. |
| 1-ALBUM RANDOM 1 RND | Reproducir todas las pistas de un álbum MP3 seleccionado aleatoriamente. Pulse [▲, ▼] para seleccionar el álbum MP3. |
| ALL REPEAT | Repetir todas las pistas. |
| 1-TRACK REPEAT 1 | Repetir 1-TRACK. |
| 1-ALBUM REPEAT 1 | Repetir 1-ALBUM. |
| RANDOM REPEAT RND | Repetir la reproducción aleatoria. |
| 1-ALBUM RANDOM REPEAT 1 RND | Repetir 1-ALBUM RANDOM. |

Nota:

- Durante la reproducción aleatoria, no se puede saltar a pistas que ya han sido reproducidas.
- La configuración se cancela cuando se abre la bandeja de disco ó desconecta el dispositivo USB.

Modo de vínculo

BLUETOOTH

Puede cambiar el modo de vínculo para adecuarse al tipo de conexión.

Preparación

Si este sistema está conectado a un dispositivo Bluetooth®, desconéctelo (➡ "Desconexión del dispositivo").

1 Pulse **[PLAY MENU]** para seleccionar "LINK MODE".

2 Pulse **[▲, ▼]** para seleccionar el modo y después pulse **[OK]**.

| | |
|----------------------------|-----------------------------------|
| MODE 1 | Énfasis en la conectividad. |
| MODE 2 (predeterminado) | Énfasis en la calidad del sonido. |

Nota:

- Al disfrutar de contenidos de video con esta función, es posible que el video y la salida de audio no estén sincronizados. En este caso, seleccione "MODE 1".
- Seleccionar "MODE 1" si el sonido se interrumpe.

Nota sobre el disco

- Este sistema puede reproducir CD-R/RW con contenido formato CD-DA o MP3.
- Antes de realizar la reproducción finalice el disco en el equipo en el que se grabó.
- Algunos CD-R/RW no se pueden reproducir debido a la condición de la grabación.

Nota sobre el uso de DualDisc

- El lado del contenido de audio digital de un DualDisc no cumple con las especificaciones técnicas del formato de Audio Digital de Disco Compacto (CD-DA, por sus siglas en inglés), por lo tanto no es posible la reproducción.

Nota sobre dispositivo USB

- Este sistema no garantiza la conexión con todos los dispositivos USB.
- Este sistema admite USB 2.0 velocidad total.
- Este sistema puede admitir los dispositivos USB de hasta 32 GB.
- Solo se admite el sistema de archivo FAT 12/16/32.

Nota sobre el archivo MP3

- Los archivos se definen como pistas y las carpetas como álbumes.
- Las pistas debe tener la extensión ".mp3" o ".MP3".
- Las pistas no se reproducirán necesariamente en el orden de grabación.
- Algunos archivos pueden fallar debido al tamaño del sector.

Archivo MP3 en el disco

- Este sistema puede acceder hasta:
 - 255 álbumes (incluye la carpeta raíz)
 - 999 pistas
 - 20 sesiones
- Los discos deben cumplir con la norma ISO9660 nivel 1 ó 2 (excepto para los formatos extendidos).

Archivo MP3 en el dispositivo USB

- Este sistema puede acceder hasta:
 - 800 álbumes (incluye la carpeta raíz)
 - 8000 pistas
 - 999 pistas en un álbum

Radio

Preparación

Pulse [RADIO/AUX] para seleccionar "FM".

Sintonización manual

- 1 Pulse [PLAY MENU] para seleccionar "TUNE MODE".
- 2 Pulse [▲, ▼] para seleccionar "MANUAL" y después pulse [OK].
- 3 Pulse [◀◀/◀◀] o [▶▶/▶▶] para sintonizar la estación.
Para sintonizar automáticamente, pulse y mantenga pulsado el botón hasta que la frecuencia comience a cambiar rápidamente. Se visualiza "STEREO" cuando se esté recibiendo una emisora estéreo.

Uso de la unidad principal

- 1 Pulse [■] para seleccionar "MANUAL".
- 2 Pulse [◀◀/◀◀] o [▶▶/▶▶] para sintonizar la estación.

Presintonización de la memoria

Puede preconfigurar hasta 30 emisoras de FM.

Preconfiguración automática

- 1 Pulse [PLAY MENU] para seleccionar "A.PRESET".
- 2 Pulse [▲, ▼] para seleccionar "LOWEST" o "CURRENT" y después pulse [OK].

| | |
|---------|---|
| LOWEST | La sintonización comienza desde la frecuencia más baja. |
| CURRENT | La sintonización comienza desde la frecuencia actual. |

El sintonizador presintonizará en los canales, en orden ascendente, todas las emisoras que pueda recibir.

Para cancelar, pulse [■].

Preconfiguración manual

- 1 Pulse [PLAY MENU] para seleccionar "TUNE MODE".
- 2 Pulse [▲, ▼] para seleccionar "MANUAL" y después pulse [OK].
- 3 Pulse [◀◀/◀◀] o [▶▶/▶▶] para sintonizar la estación.
- 4 Pulse [OK].
- 5 Pulse [▲, ▼] para seleccionar un número preconfigurado y después pulse [OK]. Realice los pasos 3 al 5 nuevamente para preconfigurar más estaciones. La estación más reciente reemplazará cualquier estación que ocupe el mismo número preconfigurado.

Para iniciar el temporizador

- 1 Prepare la fuente que desea escuchar (disco, USB o radio) y configure el volumen.
- 2 Pulse [SETUP] para seleccionar "TIMER SET".
- 3 Pulse [▲, ▼] para seleccionar "PLAY ON" y después pulse [OK].
Se visualiza "Ⓞ".
Para cancelar, seleccione "PLAY OFF".
El sistema debe estar apagado para que el temporizador funcione.

Para revisar la configuración

Pulse [SETUP] para seleccionar "TIMER ADJ" y después pulse [OK].

En el modo en espera, pulse [DISPLAY] dos veces.

Nota:

- El temporizador iniciará con un volumen bajo y aumentará gradualmente hasta el nivel predeterminado.
- Si el temporizador está activo, se encenderá todos los días a la hora configurada.
- Si apaga el sistema y después vuelve a encender mientras está funcionando el temporizador, el temporizador no terminará a la hora final.

Efectos de sonido

Ecuizador predeterminado

- 1 Pulse [SOUND] para seleccionar "PRESET EQ".
- 2 Pulse [▲, ▼] para seleccionar la configuración del ecualizador predeterminado deseada y después pulse [OK].

Ecuizador manual

- 1 Pulse [SOUND] para seleccionar "MANUAL EQ".
- 2 Pulse [▲, ▼] para seleccionar el efecto de sonido.
- 3 Pulse [◀◀/▶▶] o [▶▶/▶▶] para seleccionar la configuración y después pulse [OK].

| | |
|-----------------|--------------------------------|
| BASS/MID/TREBLE | -4 a +4 |
| SURROUND | "ON SURROUND" o "OFF SURROUND" |

D.Bass

- 1 Pulse [SOUND] para seleccionar "D.BASS" y después pulse [▲, ▼] para seleccionar "D.BASS LEVEL" o "D.BASS BEAT".
Para cancelar, seleccione "OFF D.BASS".
- 2 Pulse [◀◀/▶▶] o [▶▶/▶▶] en el control remoto para seleccionar la configuración y después pulse [OK].

Nota:

D.BASS BEAT: Esta función enfatiza el nivel de avance del ritmo del tambor y produce un sonido potente. Dependiendo de la pista, el efecto podría ser menor.

Jukebox

USB

Puede usar jukebox para agregar un efecto de atenuación cruzada entre las canciones. Usted también puede usar funciones adicionales de la aplicación "Panasonic MAX Juke" (➔ abajo).

- 1 Pulse [PLAY MENU] para seleccionar "JUKEBOX".
- 2 Pulse [▲, ▼] para seleccionar la configuración y después pulse [OK].

Uso de la unidad principal

Pulse [JUKEBOX] para seleccionar la configuración.

| | |
|---------------|-----------------------------|
| OFF CROSSFADE | Cancela atenuación cruzada. |
| ON CROSSFADE | Agregue atenuación cruzada. |
| OFF | Apague jukebox. |

Cómo cambiar la configuración repetir

- 1 Pulse [PLAY MENU] para seleccionar "PLAYMODE".
- 2 Pulse [▲, ▼] para seleccionar la configuración y después pulse [OK].

| | |
|------------------------|------------------------------------|
| RANDOM REPEAT RND ↻ | Repetir la reproducción aleatoria. |
| ALL TITLE REPEAT ↻ | Repetir todas las pistas. |

Nota:

- El sistema realiza un cambio o modo repetir automáticamente cuando se enciende la función jukebox.
- Jukebox se desactiva cuando apaga el sistema o cambia a otra fuente.
- La función de atenuación cruzada podrá no funcionar entre canciones que tienen diferentes frecuencias.

Uso de la aplicación "Panasonic MAX Juke"

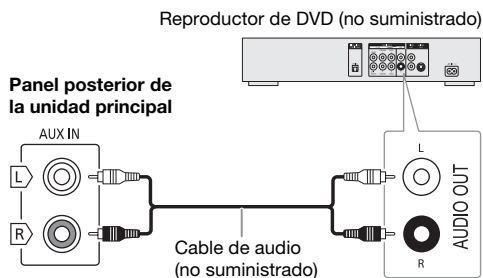
Puede descargar e instalar la aplicación gratuita de Android™ "Panasonic MAX Juke" en Google Play™ para funciones adicionales, por ejemplo para solicitar la reproducción de la canción simultáneamente desde varios dispositivos. Usted puede acceder a las pistas que desea reproducir a través de la aplicación. Para detalles sobre la aplicación, consulte el siguiente sitio web. http://av.jpn.support.panasonic.com/support/global/cs/audio/app/max_juke/android/index.html (Este sitio está en inglés solamente.)

Equipo externo

Puede conectar un reproductor de video, reproductor de DVD, etc. y escuchar el audio a través de este sistema.

Preparación

- Desconecte el cable de alimentación de CA.
- Apague todos los equipos y lea las instrucciones operativas adecuadas.



- 1 Conecte el equipo externo.
- 2 Pulse [RADIO/AUX] para seleccionar "AUX".
- 3 Reproduzca desde el equipo externo.

Para ajustar el nivel de entrada

- 1 Pulse [PLAY MENU] para seleccionar "INPUT LEVEL".
- 2 Pulse [▲, ▼] para seleccionar "NORMAL" o "HIGH" y después pulse [OK].

Nota:

- Seleccionar "NORMAL" (normal) si el sonido está distorsionado durante un nivel de entrada "HIGH" (alto).
- Los componentes y los cables se venden por separado.
- Si desea conectar otros equipos que no sean los mencionados anteriormente, consulte su distribuidor de equipos de audio.
- Puede ocurrir distorsión en el sonido cuando usa un adaptador.

Otros

Iluminación

Puede encender o apagar la iluminación del sistema.

- 1 Pulse [SETUP] para seleccionar "ILLUMINATION".
- 2 Pulse [▲, ▼] para seleccionar "ON" y después pulse [OK].
Para cancelar, seleccione "OFF".

Apagado automático

Este sistema se apaga automáticamente cuando no lo usa durante aproximadamente 20 minutos.

- 1 Pulse [SETUP] para seleccionar "AUTO OFF".
- 2 Pulse [▲, ▼] para seleccionar "ON" y después pulse [OK].
Para cancelar, seleccione "OFF".

Nota:

Esta función no funciona cuando se encuentra en la fuente de radio o cuando está conectado un dispositivo Bluetooth®.

Modo de espera de Bluetooth®

Esta función enciende automáticamente el sistema cuando establece una conexión Bluetooth® desde un dispositivo emparejado.

- 1 Pulse [SETUP] para seleccionar "BLUETOOTH STANDBY".
- 2 Pulse [▲, ▼] para seleccionar "ON" y después pulse [OK].
Para cancelar, seleccione "OFF".

Nota:

Algunos dispositivos podrían tardar más tiempo en responder. Si está conectado a un dispositivo Bluetooth® antes de apagar el sistema, espere un mínimo de 5 segundos antes de conectar este sistema de nuevo a su dispositivo Bluetooth®.

Versión del software

Puede revisar la versión de software del sistema.

- 1 Pulse [SETUP] para seleccionar "SW VER." y después pulse [OK].
Se visualiza la versión del software.
- 2 Pulse [OK] nuevamente para salir.

Solución de problemas

Antes de solicitar el servicio de reparaciones haga las comprobaciones indicadas a continuación. Si tiene alguna duda acerca de algunos de los puntos de comprobación, o si los indicados no resuelven el problema, consulte a su distribuidor para obtener instrucciones.

Problemas comunes

La unidad no funciona.

- El dispositivo de seguridad se ha activado. Realice lo siguiente:
 1. Pulse [⏻] en la unidad principal para activar el modo de espera. Si la unidad no entra en el modo de espera,
 - Pulse y mantenga pulsado el botón durante al menos 10 segundos. O,
 - Desconecte el cable de alimentación de CA y luego conéctelo nuevamente.
 2. Pulse [⏻] nuevamente para encender la unidad. Si el problema persiste, consulte a su distribuidor.

El panel de visualización se ilumina y cambia de manera continua en modo de espera.

- Pulse y mantenga pulsado [■] en la unidad principal para seleccionar "DEMO OFF".

No se puede realizar operaciones con el control remoto.

- Verifique si la pila está instalada correctamente.

El sonido está distorsionado o no hay sonido.

- Ajustar el volumen del sistema.
- Apague el sistema, determine y corrija la causa, y a continuación encienda el sistema nuevamente. La causa puede ser el esfuerzo de las bocinas debido a una potencia o a un volumen excesivo, y la utilización del sistema en un ambiente donde hace calor.

Se oye ruido de zumbido durante la reproducción.

- Un cable de alimentación de CA o luz fluorescente está cerca de los cables. Mantenga otros aparatos y cables alejados de este sistema.

El nivel de sonido se reduce.

- El circuito de protección se ha activado debido al uso continuo a un volumen alto. Esto sirve para proteger el sistema y mantener la calidad del sonido.

Disco

Pantalla no visualizada correctamente.

No se inicia la reproducción.

- No introdujo el disco correctamente. Introdúzcalo correctamente.
- El disco está sucio. Limpie el disco.
- Reemplace el disco si está rayado, deformado o no es un disco convencional.
- Hay condensación. Deje que el sistema se seque durante 1 a 2 horas.

El número total de pistas mostrado es incorrecto.

No se puede leer el disco.

Se oye un sonido distorsionado.

- Introdujo un disco que el sistema no puede reproducir. Cambiélolo por un disco que sí se pueda reproducir.
- Introdujo un disco que no se finalizó.

USB

No es posible leer el dispositivo USB o el contenido del mismo.

- El formato del dispositivo USB o el contenido del mismo no es compatible con el sistema.
- Los dispositivos USB con una capacidad superior a los 32 GB no funcionarán en algunos casos.

Funcionamiento lento del dispositivo USB.

- El tamaño del contenido es muy grande o el dispositivo USB tarda más en leer.

Bluetooth®

No se puede emparejar.

- Revise la condición del dispositivo Bluetooth®.
- El dispositivo está fuera del rango de comunicación de 10 m (33 pies). Mueva el dispositivo más cerca del sistema.

No se puede conectar el dispositivo.

- El emparejado del dispositivo no fue exitoso. Realice el emparejamiento nuevamente.
- El emparejamiento del dispositivo a sido reemplazado. Realice el emparejamiento nuevamente.
- Este sistema puede estar conectado a un dispositivo diferente. Desconecte el otro dispositivo e intente volver a emparejar el dispositivo.
- El sistema puede tener un problema. Apague el sistema y después vuelva a encenderlo.

El dispositivo está conectado pero el audio no se puede escuchar en el sistema.

- Para algunos dispositivos con Bluetooth® incorporado, tiene que fijar manualmente la salida de audio a "SC-UX100". Lea las instrucciones de operación del dispositivo para obtener más detalles.

Se interrumpe el sonido del dispositivo.

- El dispositivo está fuera del rango de comunicación de 10 m (33 pies). Mueva el dispositivo más cerca del sistema.
- Retire cualquier obstáculo entre el sistema y el dispositivo.
- Otros dispositivos que usan la banda de frecuencia de 2.4 GHz (router inalámbrico, microondas, teléfonos inalámbricos, etc.) están haciendo interferencia. Mueva el dispositivo más cerca del sistema y aléjelo de otros dispositivos.
- Seleccionar "MODE 1" para comunicación estable.

Radio

El sonido está distorsionado.

- Utilice una antena exterior opcional. Esta antena debe ser instalada por un técnico competente.

Se oye un sonido rítmico.

- Apague el televisor o sepárelo del sistema.
- Separe los teléfonos celulares del sistema si las interferencias resultan evidentes.

Pantalla de la unidad principal

“--:--”

- El tiempo máximo de reproducción mostrado de una pista es de 99 minutos.

“ADJUST CLOCK”

- El reloj no está configurado. Ajuste el reloj.

“ADJUST TIMER”

- El temporizador de reproducción no está configurado. Ajuste el temporizador de reproducción.

“AUTO OFF”

- El sistema no se usó durante 20 minutos y se apagará en un minuto. Para cancelar, pulse cualquier botón.

“ERROR”

- Se realizó una operación incorrecta. Lea las instrucciones e intente nuevamente.

“F61”

- Compruebe y corrija la conexión de los cables de las bocinas.
- Desconecte el dispositivo USB. Apague el sistema y después vuelva a encenderlo.

“F703”

- Compruebe la conexión Bluetooth®.
- Desconecte el dispositivo Bluetooth®. Apague el sistema y después vuelva a encenderlo.

“F76”

- Hay un problema con el suministro de corriente.
- Desconecte el cable de alimentación de CA y consulte a su distribuidor.

“F77”

- Desconecte el cable de alimentación de CA y consulte a su distribuidor.

“NO DISC”

- No introdujo un disco.

“NO PLAY”

“UNSUPPORT”

- Compruebe el contenido. Sólo puede reproducir el formato soportado.
- El sistema puede tener un problema. Apague el sistema y después vuelva a encenderlo.

“NO TRACK”

- No existe un álbum o pista en el dispositivo USB.

“PLAYERERROR”

- Está reproduciendo un archivo MP3 no compatible. El sistema saltará esa pista y reproducirá la siguiente.

“REMOTE 1”

“REMOTE 2”

- El control remoto y la unidad principal están usando diferentes códigos. Cambie el código en el control remoto.
 - Cuando se visualice “REMOTE 1”, pulse y mantenga pulsado [OK] y [⏏] en el control remoto durante al menos 4 segundos.
 - Cuando se visualice “REMOTE 2”, pulse y mantenga pulsado [OK] y [USB/CD] en el control remoto durante al menos 4 segundos.

“TEMP NG”

- El circuito de protección de temperatura se ha activado y el sistema se apagará. Deje que la unidad se enfríe antes de volver a encenderla.
- Revise que la abertura de ventilación de la unidad no esté obstruida.
- Asegure que esta unidad esté bien ventilada.

“USB NO DEVICE”

- El dispositivo USB no está conectado. Compruebe la conexión.

“USB OVER CURRENT ERROR”

- El dispositivo USB absorbe demasiada potencia. Desconecte el dispositivo USB, apague el sistema y después vuelva a encenderlo.

“VBR”

- El sistema no puede visualizar el tiempo de reproducción restante para las pistas con velocidad de bits variable (VBR).

Código del control remoto

Quando otro equipo Panasonic responda al control remoto de este sistema, cambie el código del control remoto de este sistema.

Preparación

Pulse [USB/CD] para seleccionar “CD”.

Para configurar el código en “REMOTE 2”

- 1** Pulse y mantenga pulsado [USB/CD] en la unidad principal y [USB/CD] en el control remoto hasta que se visualice “REMOTE 2”.
- 2** Pulse y mantenga pulsado [OK] y [USB/CD] en el control remoto durante al menos 4 segundos.

Para configurar el código en “REMOTE 1”

- 1** Pulse y mantenga pulsado [USB/CD] en la unidad principal y [⏏] en el control remoto hasta que se visualice “REMOTE 1”.
- 2** Pulse y mantenga pulsado [OK] y [⏏] en el control remoto durante al menos 4 segundos.

Restablecer memoria del sistema

Restablezca la memoria cuando ocurren las siguientes situaciones:

- Los botones no funcionan.
- Usted desea borrar y restablecer el contenido de la memoria.

- 1** Desconecte el cable de alimentación de CA.
- 2** Mientras pulsa y mantiene pulsado [⏏] en la unidad principal, conecte el cable de la fuente de alimentación nuevamente. Continúe pulsando y mantenga pulsado el botón hasta que se visualice “-----”.
- 3** Suelte [⏏].
Todas las configuraciones se reponen a los valores predeterminados. Es necesario configurar los elementos de la memoria nuevamente.

Especificaciones

Sección del amplificador

Potencia de salida RMS en modo estéreo

Canal frontal (ambos canales controlados)
150 W por canal (4 Ω), 1 kHz, 30% THD
Potencia total del modo estéreo RMS 300 W

Potencia de salida FTC en modo estéreo

Canal frontal (ambos canales controlados)
75 W por canal (4 Ω), 50 Hz a 20 kHz, 1% THD
Potencia total del modo estéreo FTC 150 W

Sección del sintonizador, terminales

Frecuencia modulada (FM)

Memoria preconfigurada 30 emisoras
Gama de frecuencias
87.9 MHz a 107.9 MHz (en pasos de 200 kHz)
87.5 MHz a 108.0 MHz (en pasos de 100 kHz)
Terminales de la antena 75 Ω (desequilibrado)

Entrada de audio analógica

Entrada de audio Clavija jack (1 sistema)

Sección de discos compactos

Discos reproducidos [8 cm (3") o 12 cm (5")]

CD, CD-R/RW (CD-DA, MP3*)

* MPEG-1 Layer 3

Lector

Longitud de onda 790 nm (CD)

Sección de USB

Puerto USB

USB estándar USB 2.0 velocidad total
Compatibilidad con formato de archivos de medios
MP3 (*.mp3)
Sistema de archivo de dispositivo USB
FAT12, FAT16, FAT32

El número de modelo y número de serie de este producto se puede encontrar en la parte posterior o inferior del mismo. Por favor, anótelos en el espacio suministrado a continuación y guárdelos para consultas futuras.

MODELO NÚMERO SC-UX100

NÚMERO DE SERIE

Sección de Bluetooth®

Versión Bluetooth® Versión 2.1 + EDR

Clase Clase 2

Perfiles admitidos A2DP, AVRCP, SPP

Frecuencia operativa Banda de 2.4 GHz FH-SS

Distancia de funcionamiento 10 m (33 pies) de la línea de visión

Sección de bocinas

Bocina(s)

Bocina para graves
Tipo cónico de 13 cm (5 1/8") x 1 por canal
Bocina para agudos
Tipo cónico de 5 cm (2") x 1 por canal

Impedancia 4 Ω

Dimensiones (An x Al x Prf)

181 mm x 308 mm x 165 mm
(7 1/8" x 12 1/8" x 6 1/2")

Masa (Peso) 2 kg (4.4 lbs)

Generalidades

Fuente de alimentación CA 120 V, 60 Hz

Consumo de energía 49 W

Dimensiones (An x Al x Prf)

250 mm x 132 mm x 227 mm
(9 27/32" x 5 5/32" x 9 15/16")

Masa (Peso) (SA-UX100) 1.7 kg (3.7 lbs)

Gama de temperaturas de funcionamiento

0°C a +40°C (+32°F a +104°F)

Gama de humedades de funcionamiento

35% a 80% humedad relativa (sin condensación)

Consumo en el modo de espera (aproximado)

0.5 W

Consumo en el modo de espera (aproximado)

(Con "BLUETOOTH STANDBY" configurado como "ON")

0.6 W

Nota:

- Las especificaciones están sujetas a cambios sin previo aviso.
La (El) masa (peso) y las dimensiones son aproximados.
- La distorsión armónica total se mide con el analizador de espectro digital.

Recordatorio del usuario:

FECHA DE COMPRA _____

NOMBRE DEL
DISTRIBUIDOR _____

DIRECCIÓN DEL
DISTRIBUIDOR _____

NÚMERO DE TELÉFONO _____



Certificat de garantie limitée (SEULEMENT POUR LE CANADA)

PRODUIT PANASONIC – GARANTIE LIMITÉE

5770 Ambler Drive, Mississauga (Ontario) L4W 2T3

Panasonic Canada Inc.

Panasonic Canada Inc. garantit que ce produit est exempt de défauts de matériaux et de main-d'œuvre dans un contexte d'utilisation normale pendant la période indiquée ci-après à compter de la date d'achat original et, dans l'éventualité d'une défectuosité, accepte, à sa discrétion, de (a) réparer le produit avec des pièces neuves ou remises à neuf, (b) remplacer le produit par un produit neuf ou remis à neuf d'une valeur équivalente ou (c) rembourser le prix d'achat. La décision de réparer, remplacer ou rembourser appartient à Panasonic Canada Inc.

| | |
|-----------------------------------|-----------------------------------|
| Lecteurs BD/DVD Panasonic | Un (1) an, pièces et main-d'œuvre |
| Récepteurs audio Panasonic | Un (1) an, pièces et main-d'œuvre |
| Appareils cinéma maison Panasonic | Un (1) an, pièces et main-d'œuvre |

La présente garantie n'est fournie qu'à l'acheteur original d'un des produits de marque Panasonic indiqués plus haut, ou à la personne l'ayant reçu en cadeau, vendu par un détaillant Panasonic agréé au Canada et utilisé au Canada. Le produit ne doit pas avoir été « vendu tel quel » et doit avoir été livré à l'état neuf dans son emballage d'origine. **POUR ÊTRE ADMISSIBLE AUX SERVICES AU TITRE DE LA PRÉSENTE GARANTIE, LA PRÉSENTATION D'UN RÉÇU D'ACHAT OU DE TOUTE AUTRE PIÈCE JUSTIFICATIVE DE LA DATE D'ACHAT ORIGINAL, INDIQUANT LE MONTANT PAYÉ ET LE LIEU DE L'ACHAT, EST REQUISE.**

RESTRICTIONS ET EXCLUSIONS

La présente garantie COUVRIT SEULEMENT les défaillances attribuables à un défaut des matériaux ou à un vice de fabrication et NE COUVRIT PAS l'usure normale ni les dommages esthétiques. La présente garantie NE COUVRIT PAS NON PLUS les dommages subis pendant le transport, les défaillances causées par des produits non fournis par Panasonic Canada Inc. ni celles résultant d'un accident, d'un usage abusif ou impropre, de négligence, d'une maintenance inadéquate, d'une mauvaise application, d'une altération, d'une installation ou de réglages impropres, d'un mauvais réglage des contrôles de l'utilisateur, d'un mauvais entretien, d'un mauvais emballage, de la tordre, d'une modification, de la pénétration de sable, de liquides ou d'humidité, d'une utilisation commerciale (dans un hôtel, un bureau, un restaurant ou tout autre usage par affaires ou en location), d'une réparation effectuée par une entité autre qu'un centre de service Panasonic agréé ou encore d'une catastrophe naturelle.

Les piles sèches sont également exclues de la présente garantie.

CETTE GARANTIE LIMITÉE ET EXPRESSE REMPLACE TOUTE AUTRE GARANTIE, EXPRESSE OU IMPLICITE, INCLUANT LES GARANTIES IMPLICITES DU CARACTÈRE ADEQUAT POUR LA COMMERCIALISATION ET UN USAGE PARTICULIER, PANASONIC CANADA INC. N'AURA D'OBLIGATION EN AUCUNE CIRCONSTANCE POUR TOUT DOMMAGE DIRECT, INDIRECT OU CONSÉCUTIF RÉSULTANT DE L'UTILISATION DE CE PRODUIT OU DECOULANT DE TOUTE DÉGRADATION À UNE GARANTIE EXPRESSE OU IMPLICITE. (À titre d'exemples, cette garantie exclut les dommages relatifs à une perte de temps, le transport jusqu'à et depuis un centre de service agréé, la perte ou la détérioration de supports ou d'images, de données ou de tout autre contenu en mémoire ou enregistré. Cette liste n'est pas exhaustive et n'est fournie qu'à des fins explicatives.)

Certains juridictions ne reconnaissent pas les exclusions ou limitations de dommages indirects ou consécutifs, ou les exclusions de garanties implicites. Dans de tels cas, les limitations stipulées ci-dessus peuvent ne pas être applicables. La présente garantie vous confère des droits précis; vous pourriez aussi avoir d'autres droits pouvant varier selon votre province ou territoire de résidence.

SERVICE SOUS GARANTIE

Pour tout renseignement sur les produits, réparation ou assistance technique, veuillez visiter notre page Soutien :

www.panasonic.ca/rench/support

EXPÉDITION D'UN PRODUIT À UN CENTRE DE SERVICE

Emballé soigneusement, de préférence dans son carton d'origine, et expédié, franco de port, suffisamment assuré. Accompagnez le tout d'une description de la défectuosité présumée et d'une pièce justificative de la date d'achat original.

Panasonic Canada Inc.

5770 Ambler Drive,
Mississauga, Ontario,
L4W 2T3

www.panasonic.com

© Panasonic Corporation 2016
Imprimé en Malaisie

TQB0973
16

TQB0973
L0816LCO



Spécifications

Section amplificateur

Puissance de sortie eff. en mode stéréo
Canal avant (les deux canaux en circuit) 150 W par canal (4 Ω), 1 kHz, 30 % DHT
Puissance eff. totale en mode stéréo 300 W

Puissance de sortie FTC en mode stéréo

Canal avant (les deux canaux en circuit) 75 W par canal (4 Ω), 50 Hz à 20 kHz, 1 % DHT
Puissance FTC totale en mode stéréo 150 W

Section synthoniseur, prises

Modulation de fréquence (FM)

Mémoire présintonisée 30 stations

Plage de fréquence 87,9 MHz à 107,9 MHz (modulation de 200 kHz)

Bornes d'antenne 87,5 MHz à 108,0 MHz (modulation de 100 kHz)

Entrée audio analogique

Prise à broches (1 système)

Section lecteur de disque

Disque [8 cm (3 po) ou 12 cm (5 po)]

CD, CD-R/RW (CD-DA, MP3*)

* MPEG-1 Layer 3

Bloc de lecture

Longueur d'onde

790 nm (CD)

Port USB

Norme USB

USB 2.0 pleine vitesse

Format de fichier pris en charge

MP3 (*.mp3)

Système de fichiers, dispositif USB

FAT12, FAT16, FAT32

Il est recommandé de noter, dans l'espace prévu ci-dessous, le numéro de modèle et le numéro de série inscrits à l'arrière, ou sous le fond de l'appareil, et de conserver ce manuel pour référence ultérieure.

NUMÉRO DE MODÈLE SC-UX100

NUMÉRO DE SÉRIE

Section Bluetooth®

Version Bluetooth® Ver. 2.1 + EDR

Classe

Classe 2

Profils pris en charge

A2DP, AVRCP, SPP

Fréquence de fonctionnement

Bande 2,4 GHz FH-SS

Aire de fonctionnement 10 m (33 pi) observation directe

Section enceintes

Haut-parleur(s)

Graves 13 cm (5 1/8 po) de type cône x 1 par canal

Aigus 5 cm (2 po) de type cône x 1 par canal

Impédance

4 Ω

Dimensions (L x H x P)

181 mm x 308 mm x 165 mm

(7 1/8 po x 12 1/8 po x 6 1/2 po)

Poids

2 kg (4,4 lb)

Données générales

Alimentation

120 V c.a., 60 Hz

Consommation

49 W

Dimensions (L x H x P)

250 mm x 132 mm x 227 mm

(9 27/32 po x 5 1/8 po x 9 15/16 po)

Poids (SA-UX100)

1,7 kg (3,7 lb)

Température de fonctionnement

0 °C à +40 °C (+32 °F à +104 °F)

Hygrométrie

Humidité relative de 35 % à 80 % (sans condensation)

Consommation en mode attente (environ)

0,5 W

Consommation en mode attente (environ)

0,6 W

Nota :

- Spécifications sous réserve de modifications sans préavis.
- Le poids et les dimensions sont approximatifs.
- Distorsion harmonique totale mesurée avec spectroscope numérique.

Homologation :

DATE D'ACHAT

DÉTAILLANT

ADRESSE DU

DÉTAILLANT

N° DE TÉLÉPHONE

Messages affichées

- « --:-- »
La durée de lecture de la plage est supérieure à 99 minutes.
- « ADJUST CLOCK »
L'horloge n'est pas réglée. Régler l'horloge.
- « ADJUST TIMER »
La minuterie de lecture n'a pas été programmée. Régler la minuterie de lecture.
- « AUTO OFF »
L'appareil est resté inutilisé pendant 20 minutes et sera mis hors marche dans la minute qui suit. Pour annuler, appuyer sur n'importe quelle touche.
- « ERROR »
Une opération incorrecte a été effectuée. Se reporter aux instructions, puis réessayer.
- « F61 »
Examiner et corriger la connexion des câbles d'enceinte.
- « F62 »
Déconnecter le dispositif USB. Mettre le système hors marche, puis le remettre en marche.
- « F70 »
Vérifier la connexion Bluetooth®.
- « F73 »
Débrancher le dispositif Bluetooth®. Mettre le système hors marche, puis le remettre en marche.
- « F76 »
Il y a un problème d'alimentation électrique.
- « F77 »
Débrancher le cordon d'alimentation secteur et consulter le revendeur.
- « F78 »
Débrancher le cordon d'alimentation secteur et consulter le revendeur.
- « F79 »
Un disque n'a pas été inséré.
- « NO PLAY »
Vérifier que le format soit un format pris en charge par l'appareil.
- « NO TRACK »
Il n'y a aucun album ni aucune piste sur le dispositif USB.
- « PLAVERROR »
Lecture d'un fichier MP3 non pris en charge. Le système saute la plage et fait la lecture de la prochaine.
- « REMOTE 1 »
La télécommande et l'appareil principal utilisent des codes différents. Changer le code de la télécommande.
- « REMOTE 2 »
Lorsque « REMOTE 2 » s'affiche, appuyer et maintenir les touches [OK] et [] de la télécommande enfoncées pendant au moins 4 secondes.
- « REMOTE 1 »
Lorsque « REMOTE 1 » s'affiche, appuyer et maintenir les touches [OK] et [] de la télécommande enfoncées pendant au moins 4 secondes.

- 1 « REMOTE 1 »
Maintenir enfoncée la touche [USB/CD] sur l'appareil principal et la touche [] de la télécommande jusqu'à ce que l'indication « REMOTE 1 » soit affichée.
- 2 Appuyer et maintenir les touches [OK] et [] de la télécommande enfoncées pendant au moins 4 secondes.

Réglage du code « REMOTE 1 »

- 1 Maintenir enfoncée la touche [USB/CD] sur l'appareil principal et la touche [] de la télécommande jusqu'à ce que l'indication « REMOTE 1 » soit affichée.
- 2 Appuyer et maintenir les touches [OK] et [] de la télécommande enfoncées pendant au moins 4 secondes.

Réglage du code « REMOTE 2 »

- 1 Maintenir enfoncée la touche [USB/CD] sur l'appareil principal et la touche [] de la télécommande jusqu'à ce que l'indication « REMOTE 2 » soit affichée.
- 2 Appuyer et maintenir les touches [OK] et [] de la télécommande enfoncées pendant au moins 4 secondes.

Préparatifs

Si d'autres appareils Parasonic réagissent au signal de la télécommande, changer le code sur cet appareil.

Code de télécommande

- « TEMP NG »
Le circuit de protection de la température a été activé, et le système va se mettre hors marche. Laisser l'appareil refroidir avant de le remettre en marche.
- « USB NO DEVICE »
Aucun dispositif USB connecté. Vérifier les raccordements.
- « USB OVER CURRENT ERROR »
Le dispositif USB utilise trop de puissance. Déconnecter le dispositif USB, mettre le système hors marche, puis le remettre en marche.
- « VBR »
Le système ne peut afficher le temps de lecture restant avec des plages à débit binaire variable (VBR).
- Vérifier que l'ouverture d'aération de l'appareil n'est pas bouchée.
- S'assurer que la ventilation de l'appareil est adéquate.
- « USB NO DEVICE »
Aucun dispositif USB connecté. Vérifier les raccordements.
- « USB OVER CURRENT ERROR »
Le dispositif USB utilise trop de puissance. Déconnecter le dispositif USB, mettre le système hors marche, puis le remettre en marche.
- Le système ne peut afficher le temps de lecture restant avec des plages à débit binaire variable (VBR).

Réinitialisation de la mémoire du système

- 1 Débrancher le cordon d'alimentation.
- 2 Tout en maintenant la touche [] sur l'appareil principal enfoncée, rebrancher le cordon d'alimentation.

Tous les paramètres sont remis à leur valeur par défaut.

Il est nécessaire de refaire la programmation.

Avant d'appeler un centre de service, faire les vérifications décrites ci-dessous. En cas de doute sur la marche à suivre, ou si les solutions indiquées ne règlent pas le problème, consulter votre revendeur.

Problèmes communs

L'appareil ne fonctionne pas.

- Le dispositif de sécurité a été activé. Effectuer l'opération suivante :

1. Appuyer sur [v] sur l'appareil principal pour faire

basculer l'appareil en mode de veille. Si l'appareil ne

Appuyer et maintenir la touche enfoncée pendant au

moins 10 secondes. Ou,

2. Appuyer de nouveau sur [v] pour mettre l'appareil sous

rébrancher.

– Débrancher le cordon d'alimentation, puis le

rendre.

Appuyer et maintenir [] enfoncée sur l'appareil principal

pour sélectionner « DEMO OFF ».

Aucune fonctionnalité ne peut être pilotée au moyen de la

télécommande.

• Vérifier la mise en place de la pile.

• Mettre le système hors marche, repérer et corriger le

problème, puis remettre le système en marche. Cela peut

s'expliquer par une saturation des enceintes en raison d'un

volume trop haut ou d'une puissance de signal trop grande,

ou d'une température ambiante élevée.

Un bourdonnement est entendu durant la lecture.

Un cordon d'alimentation ou une source de lumière

fluorescente est à proximité des câbles. Eloigner les

appareils et les cordons d'alimentation du câble de ce

système.

Le niveau du son baisse.

Le circuit de protection a été activé à cause de l'utilisation

prolongée à un volume élevé. Cela sert à protéger le

système et à conserver la qualité sonore.

Disque

Affichage erratique.

La lecture n'a pas été bien mise en place. Remettre en place

Le disque n'a pas été correctement.

Le disque est sale. Le nettoyer.

• Remplacer tout disque qui serait voilé, rayé ou de forme

non régulière.

• Il y a présence de condensation. Laisser l'appareil sécher

pendant 1 ou 2 heures.

Le nombre total de plages affichées est erroné.

Le disque ne peut être lu.

Le son est distordu.

• Un disque ne pouvant être pris en charge a été mis en

place. Mettre en place un disque pouvant être pris en

charge.

• Le disque mis en place n'a pas été finalisé.

USB

Le dispositif USB ou son contenu ne peut être lu.

Le format du dispositif USB ou son contenu n'est pas

compatible avec le système.

• Un dispositif USB dont la capacité est supérieure à 32 Go

pourrait ne pas fonctionner dans certaines conditions.

Le dispositif USB fonctionne lentement.

La lecture d'un contenu de grande taille ou d'un dispositif

USB de grande capacité demande plus de temps.

Bluetooth®

Le couplage n'est pas possible.

1. Appuyer sur l'état du dispositif Bluetooth®.

• Le dispositif est à une distance plus grande que le rayon

d'action de 10 m (33 pi). Le rapprocher du système.

La connexion du dispositif n'est pas possible.

Le couplage a échoué. Recommencer le couplage.

• Le couplage du dispositif a été remplacé par un autre.

Recommencer le couplage.

• Cet appareil est peut-être connecté à un dispositif différent.

Déconnecter l'autre dispositif et essayer de le coupler à

nouveaux.

• Il se peut que le système rencontre un problème. Mettre le

système hors marche, puis le remettre en marche.

Le dispositif est connecté mais aucun son n'est entendu

sur l'appareil.

• Dans le cas de certains dispositifs Bluetooth®, il est

nécessaire de régler manuellement la sortie audio sur

« SC-LX100 ». Pour de plus amples détails, se reporter à la

notice d'utilisation du dispositif.

• Régler le volume.

Présence de distorsion ou absence de son.

• Vérifier la mise en place de la pile.

• Mettre le système hors marche, repérer et corriger le

problème, puis remettre le système en marche. Cela peut

s'expliquer par une saturation des enceintes en raison d'un

volume trop haut ou d'une puissance de signal trop grande,

ou d'une température ambiante élevée.

Un bourdonnement est entendu durant la lecture.

Un cordon d'alimentation ou une source de lumière

fluorescente est à proximité des câbles. Eloigner les

appareils et les cordons d'alimentation du câble de ce

système.

Le niveau du son baisse.

Le circuit de protection a été activé à cause de l'utilisation

prolongée à un volume élevé. Cela sert à protéger le

système et à conserver la qualité sonore.

Radio

Présence de distorsion.

• Utiliser une antenne extérieure facultative. L'antenne doit

être installée par un technicien qualifié.

Un battement est entendu.

• Mettre le téléviseur hors marche ou l'éloigner du système.

• Eloigner les téléphones cellulaires du système dans le cas

où il y aurait interférence.

• Remplacer tout disque qui serait voilé, rayé ou de forme

non régulière.

• Il y a présence de condensation. Laisser l'appareil sécher

pendant 1 ou 2 heures.

Le son est distordu.

Un disque ne pouvant être pris en charge a été mis en

place. Mettre en place un disque pouvant être pris en

charge.

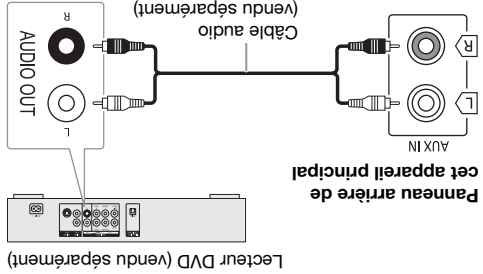
• Le disque mis en place n'a pas été finalisé.

Appareil externe

Vous pouvez connecter un magnétoscope, un lecteur DVD, etc., et écouter de l'audio grâce à cet appareil.

Préparatifs

- Débrancher le cordon d'alimentation.
- Mettre tous les appareils hors marche et consulter les manuels d'utilisation concernés.



1 Raccorder l'appareil externe.

2 Appuyer sur [RADIO/AUX] pour sélectionner « AUX ».

3 Mettre en marche l'appareil externe et effectuer la lecture.

Réglage du niveau d'entrée

1 Appuyer sur [PLAY MENU] pour sélectionner « INPUT LEVEL ».

2 Appuyer sur [▲], [▼] pour sélectionner « NORMAL » ou « HIGH » puis appuyer sur [OK].

Nota :

- Sélectionner « NORMAL » s'il y a distorsion lors de la sélection du niveau d'entrée « HIGH ».
- Les composants et câbles sont vendus séparément.
- Si vous voulez raccorder des appareils autres que ceux mentionnés, consulter votre revendeur.
- La distorsion du son peut se produire lors de l'utilisation d'un adaptateur.

Autres

Éclairage

Il est possible d'allumer ou d'éteindre l'éclairage sur le système.

1 Appuyer sur [SETUP] pour sélectionner « ILLUMINATION ».

2 Appuyer sur [▲], [▼] pour sélectionner « ON », puis appuyer sur [OK].

Pour annuler, sélectionner « OFF ».

Mise hors marche automatique

Ce système est mis hors marche automatiquement si vous ne l'utilisez plus pendant environ 20 minutes.

1 Appuyer sur [SETUP] pour sélectionner « AUTO OFF ».

2 Appuyer sur [▲], [▼] pour sélectionner « ON », puis appuyer sur [OK].

Pour annuler, sélectionner « OFF ».

Nota :

Cette fonction ne marche pas lorsque la radio est la source ou lorsqu'un dispositif Bluetooth® est connecté.

Mise en veille Bluetooth®

Cette fonction met automatiquement l'appareil en marche lorsque vous établissez une connexion Bluetooth® à partir d'un dispositif couple.

1 Appuyer sur [SETUP] pour sélectionner « BLUETOOTH STANDBY ».

2 Appuyer sur [▲], [▼] pour sélectionner « ON », puis appuyer sur [OK].

Pour annuler, sélectionner « OFF ».

Nota :

Certains dispositifs peuvent prendre plus de temps pour réagir. Si vous êtes connecté à un dispositif Bluetooth® avant de mettre le système hors marche, attendre pendant 5 secondes au moins avant de vous connecter à nouveau à ce système à partir de votre dispositif Bluetooth®.

Version logicielle

Vous pouvez vérifier la version logicielle du système.

1 Appuyer sur [SETUP] pour sélectionner « SW VER. » puis appuyer sur [OK].

La version logicielle s'affiche.

2 Appuyer sur [OK] à nouveau pour quitter.

Pour activer la minuterie

- 1 Préparer la source désirée (disque, USB ou radio), puis régler le volume.

- 2 Appuyer sur [SETUP] pour sélectionner

« TIMER SET ».

- 3 Appuyer sur [▲, ▼] pour sélectionner

« PLAY ON », puis appuyer sur [OK].

« @ » est affiché.

Pour annuler, sélectionner « PLAY OFF ».

Le système doit avoir été mis hors marche pour que

la minuterie puisse fonctionner.

Pour vérifier le réglage

Appuyer sur [SETUP] pour sélectionner

« TIMER ADV », puis appuyer sur [OK].

En mode attente, appuyer à deux reprises sur [DISPLAY].

Nota :

• La minuterie est d'abord entendue à bas niveau, puis le

volume monte graduellement jusqu'au niveau prééglé.

• Lorsqu'elle est activée, la minuterie s'enclenche tous les

jours à l'heure prévue.

• Si le système est mis hors marche, puis ensuite en marche

après avoir activé une minuterie, la mise hors marche

différée programmée sera ignorée.

Effets sonores

Egalisation prédéfinie (Preset EQ)

- 1 Appuyer sur [SOUND] pour sélectionner

« PRESET EQ ».

- 2 Appuyer sur [▲, ▼] pour sélectionner le paramètre

[OK].

Egalisation manuelle (Manual EQ)

- 1 Appuyer sur [SOUND] pour sélectionner

« MANUAL EQ ».

- 2 Appuyer sur [▲, ▼] pour sélectionner l'effet sonore.

- 3 Appuyer sur [◀▶/▶▶/▶▶▶] ou [▶▶▶/▶▶▶▶] pour

sélectionner le réglage, puis appuyer sur [OK].

| | |
|------------------------|-------------------------------------|
| BASS/MID/TREBLE | -4 à +4 |
| SURROUND | « ON SURROUND » ou « OFF SURROUND » |
| (Graves/Médiums/Aigus) | (Ambio) |

Graves dynamiques (D.Bass)

- 1 Appuyer sur [SOUND] pour sélectionner

« D.BASS », puis appuyer sur [▲, ▼] pour

sélectionner « D.BASS LEVEL » ou « D.BASS BEAT ».

Pour annuler, sélectionner « OFF D.BASS ».

- 2 Appuyer sur [◀▶/▶▶/▶▶▶] ou [▶▶▶/▶▶▶▶] de la

télécommande pour sélectionner le réglage, puis

appuyer sur [OK].

Nota :

D.BASS BEAT : Cette fonction souligne le niveau d'attaque

de la batterie et produit un son percutant. Selon le type de la

piste, l'effet pourrait être de faible niveau.

Jukebox

USB

Vous pouvez utiliser le jukebox pour ajouter un effet de fondu enchaîné entre les chansons. Vous pouvez également utiliser des fonctionnalités supplémentaires avec l'application « Panasonic MAX Juke » (► ci-dessous).

- 1 Appuyer sur [PLAY MENU] pour sélectionner

« JUKEBOX ».

- 2 Appuyer sur [▲, ▼] pour sélectionner le réglage,

puis appuyer sur [OK].

Utilisation de l'appareil principal

Appuyer sur [JUKEBOX] pour sélectionner le réglage.

| | |
|------------------------------|-------------------------------|
| OFF CROSSFADE | (Fondus enchaînés désactivés) |
| ON CROSSFADE | (Fondus enchaînés activés) |
| Ajout du fondus enchaînés. | |
| OFF | (Désactivé) |
| Mise hors marche du jukebox. | |

Modification du réglage de reprise

- 1 Appuyer sur [PLAY MENU] pour sélectionner

« PLAYMODE ».

- 2 Appuyer sur [▲, ▼] pour sélectionner le réglage,

puis appuyer sur [OK].

| | |
|------------------|----------------------|
| RANDOM REPEAT | (Reprise aléatoire) |
| RND | ☐ |
| ALL TITLE REPEAT | (Reprise tout titre) |
| Les plages. | |

Nota :

• Le système passe automatiquement au mode reprise

lorsque vous mettez jukebox en marche.

• La fonction jukebox est désactivée lorsque vous mettez le

système hors marche ou passez à une autre source.

• La fonction de fondus enchaînés peut ne pas fonctionner

entre les chansons dont les fréquences d'échantillonnage

sont différentes.

Utilisation de l'application « Panasonic MAX Juke »
Vous pouvez télécharger et installer gratuitement l'application Android™ « Panasonic MAX Juke » disponible sur Google Play™ pour avoir des fonctionnalités supplémentaires, comme la demande de lecture d'une chanson par plusieurs dispositifs simultanément. Vous pouvez définir la lecture, par application, des plages souhaitées. Pour en savoir plus sur l'application, se référer au site ci-dessous.
http://av.fdp.support.panasonic.com/support/global/cs/audio/ppp/max_juke/android/index.html
(Ce site est en anglais seulement.)

Horloge et minuteries

Réglage de l'horloge

L'horloge fonctionne sur un cycle de 12 heures.

1 Appuyer sur [SETUP] pour sélectionner « CLOCK ».

2 Appuyer sur [▲], ▼] pour régler l'heure, puis appuyer sur [OK].

Pour vérifier l'heure

Appuyer sur [SETUP] pour sélectionner « CLOCK », puis appuyer sur [OK].

En mode attente, appuyer sur [DISPLAY].

Nota :

Régler l'horloge périodiquement pour maintenir l'exactitude.

Minuterie-sommeil

La minuterie-sommeil met le système hors marche après le laps de temps prédéterminé.

1 Appuyer sur [SETUP] pour sélectionner « SLEEP ».

2 Appuyer sur [▲], ▼] pour sélectionner le réglage (en minutes), puis appuyer sur [OK].

Pour annuler, sélectionner « OFF ».

SLEEP 30 ↔ SLEEP 60 ↔ SLEEP 90 ↔ SLEEP 120

Nota :

- Le temps restant s'affiche pendant quelques secondes chaque minute. « SLEEP 1 » s'affiche toujours lorsqu'il ne reste qu'une minute.
- La minuterie-sommeil peut être utilisée de concert avec la minuterie de lecture.
- La minuterie-sommeil a toujours la préséance. S'assurer que les réglages des minuteries ne se chevauchent pas.

Minuterie de lecture

(Sauf pour les sources Bluetooth® et AUX)

Il est possible de régler la minuterie pour mettre en marche le système à une heure prédéterminée pour, par exemple, servir de réveil.

Préparatifs

Régler l'horloge.

1 Appuyer sur [SETUP] pour sélectionner

« TIMER ADJ ».

2 Appuyer sur [▲], ▼] pour sélectionner l'heure de

mise en marche, puis appuyer sur [OK].

3 Pour régler l'heure de mise hors marche,

recommencer l'étape 2.

4 Appuyer sur [▲], ▼] pour sélectionner la source

désirée, puis appuyer sur [OK].

Sélection d'une adresse mémoire

1 Appuyer sur [PLAY MENU] pour sélectionner

« TUNE MODE ».

2 Appuyer sur [▲], ▼] pour sélectionner « PRESET »,

puis appuyer sur [OK].

3 Appuyer sur [▶/◀/▶/▶] ou [▶/▶/▶/▶] pour

sélectionner une adresse mémoire.

Utilisation de l'appareil principal

1 Appuyer sur [■] pour sélectionner « PRESET ».

2 Appuyer sur [▶/◀/▶/▶] ou [▶/▶/▶/▶] pour

sélectionner une adresse mémoire.

Amélioration de la qualité sonore

1 Appuyer sur [PLAY MENU] pour sélectionner

« FM MODE ».

2 Appuyer sur [▲], ▼] pour sélectionner « MONO »,

puis appuyer sur [OK].

Pour annuler, sélectionner « STEREO ».

« MONO » est également annulé lors d'un

changement de fréquence.

Pour mémoriser le réglage

Passer à l'étape 4 de « Présélection manuelle ».

Vérification de l'état du signal

Appuyer sur [DISPLAY].

| | |
|---------|---|
| FM ST | Le signal FM est en stéréo. |
| FM MONO | « MONO » est sélectionné en tant que « FM MODE ». Le signal FM est en monaural. |
| ---- | Le signal FM est faible. |
| ---- | Une station n'est pas synchronisée. |

Modulation de fréquence FM

Sur l'appareil principal seulement

Ce système permet de capter des stations FM réparties à intervalles de 0,1 MHz.

1 Appuyer sur [RADIO/AUX] pour sélectionner « FM ».

2 Appuyer et maintenir [RADIO/AUX] enfoncée.

Après quelques secondes, l'afficheur indique la fréquence la plus basse parmi celles qui ont été

programmées. Quand la fréquence minimale change,

relâcher la touche.

• Pour revenir au réglage initial, recommencer les étapes

plus haut.

• Après avoir changé le réglage, les fréquences qui

avaient été programmées sont effacées.

| | |
|---------------------|-------------------------------|
| MODE 1 | Accent sur la connectivité. |
| MODE 2 (par défaut) | Accent sur la qualité sonore. |

- Nota :**
- En regardant des contenus vidéo avec cette fonction, les sorties de la vidéo et du son pourraient ne pas être synchronisées. Dans ce cas, sélectionner « MODE 1 ».
 - Sélectionner « MODE 1 » si le son est intermittent.

À propos du disque

- Cet appareil peut lire les disques CD-R/RW au format CD-DA ou MP3.
- Avant la lecture, finaliser le disque sur l'appareil ayant servi à l'enregistrer.
- Certains disques CD-R/RW ne peuvent être lus en raison de leur condition d'enregistrement.
- À propos des disques hybrides « DualDisc »**
- Le côté contenu audio numéroté de la face CD d'un disque hybride ne satisfait pas aux spécifications techniques du format CD-DA (Compact Disc Digital Audio), d'où la lecture peut ne pas être possible.

À propos dispositif USB

- Ce système ne garantit pas la connexion avec tous les dispositifs USB.
- Ce système prend en charge la norme USB 2.0 pleine vitesse.
- Ce système peut prendre en charge des dispositifs USB jusqu'à 32 Go.
- Seul le système de fichiers FAT 12/16/32 est pris en charge.

À propos des fichiers MP3

- Les fichiers sont traités à la manière de plages tandis que les dossiers sont considérés comme étant des albums.
- Le nom des fichiers doit avoir l'extension « .mp3 » ou « .MP3 ».
- Les plages ne sont pas nécessairement lues dans l'ordre dans lequel elles ont été enregistrées.
- Selon la taille du secteur, certains fichiers pourraient ne pas fonctionner.
- À propos des fichiers MP3 sur un disque**
- Ce système peut accéder au maximum à :
 - 255 albums (Y compris le dossier racine)
 - 999 plages
 - 20 sessions
- Les disques doivent satisfaire aux normes ISO9660 de niveau 1 ou 2 (sauf dans le cas des formats étendus).
- À propos des fichiers MP3 sur un dispositif USB**
- Ce système peut accéder au maximum à :
 - 800 albums (Y compris le dossier racine)
 - 8000 plages
 - 999 plages dans un album

Radio

Préparatifs

Appuyer sur [RADIO/AUX] pour sélectionner « FM ».

Synchronisation manuelle

1 Appuyer sur [PLAY MENU] pour sélectionner

« TUNE MODE ».

2 Appuyer sur [▲, ▼] pour sélectionner

« MANUAL », puis appuyer sur [OK].

3 Appuyer sur [▶▶/▶▶] ou [◀◀/◀◀] pour

synchroniser la station.

Pour effectuer la synchronisation automatiquement,

maintenir la touche entonnée jusqu'à ce que la

fréquence affichée change rapidement.

« STEREO » s'affiche lorsqu'une émission stéréo est

synchronisée.

Utilisation de l'appareil principal

1 Appuyer sur [■] pour sélectionner « MANUAL ».

2 Appuyer sur [▶▶/▶▶] ou [◀◀/◀◀] pour

synchroniser la station.

Mémoire de présynchronisation

Il est possible de présynchroniser 30 stations FM.

Présynchronisation automatique

1 Appuyer sur [PLAY MENU] pour sélectionner

« A.PRESET ».

2 Appuyer sur [▲, ▼] pour sélectionner « LOWEST » ou « CURRENT », puis appuyer sur [OK].

| | |
|---------|---|
| LOWEST | La synchronisation commence à partir de la fréquence la plus basse. |
| CURRENT | La synchronisation commence à partir (Synchronisée) de la fréquence en cours. |

Le synchronisateur commence à présynchroniser toutes les stations pouvant être reçues et celles-ci sont sauvegardées en ordre croissant.

Pour annuler, appuyer sur [■].

Présynchronisation manuelle

1 Appuyer sur [PLAY MENU] pour sélectionner

« TUNE MODE ».

2 Appuyer sur [▲, ▼] pour sélectionner

« MANUAL », puis appuyer sur [OK].

3 Appuyer sur [▶▶/▶▶] ou [◀◀/◀◀] pour

synchroniser la station.

4 Appuyer sur [OK].

5 Appuyer sur [▲, ▼] pour sélectionner une adresse

mémoire, puis appuyer sur [OK].

Recommencer les étapes 3 à 5 pour pré régler

d'autres stations.

La nouvelle station remplacée celle désignée par la même adresse mémoire.

Lecture multimédia

Les identifications suivantes indiquent la disponibilité de cette fonction.

- CD :** CD-R/RW au format CD-DA ou des fichiers MP3.
- USB :** Dispositif USB avec des fichiers MP3.
- BLUETOOTH :** Dispositif Bluetooth®.

Lecture – fonctions de base

Lecture Appuyer sur [▶/||].

Arrêt Appuyer sur [■].

Pause Appuyer sur [⏸/||]. Appuyer de nouveau sur la touche pour poursuivre la lecture.

Sauter Appuyer sur [▶/||/▶/▶/▶] ou [▶/▶/▶/▶/▶] pour sauter une plage.

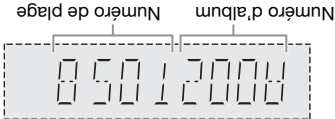
Rechercher Appuyer et maintenir [▶/▶/▶/▶] ou [▶/▶/▶/▶] enfoncée.

Nota : En fonction du dispositif Bluetooth®, certaines opérations peuvent ne pas fonctionner.

Affichage des informations disponibles

CD USB BLUETOOTH Vous pouvez voir les informations disponibles, comme l'album MP3 et le nombre de plages, sur l'afficheur.

Appuyer sur [DISPLAY] Exemple : Affichage de l'album MP3 et du numéro de plage.



- Nota :**
- Nombre maximum de caractères affichables : Environ 32
 - Ce système prend en charge les étiquettes ID3, versions 1.0, 1.1 et 2.3.
 - Les données texte non prises en charge peuvent être affichées de manière différente.

Menu de lecture

CD USB

1 CD

Appuyer sur [PLAY MENU].

USB

Appuyer sur [PLAY MENU] pour sélectionner « PLAYMODE ».

2

Appuyer sur [▶/▲] pour sélectionner le réglage, puis appuyer sur [OK].

OFF PLAYMODE Annullation du réglage.

(Mode lecture désactivé)

1-T-TRACK Lecture de la plage sélectionnée.

1-T-PLAGE (1-Plage) Appuyer sur [▶/▶/▶/▶] ou [▶/▶/▶/▶] pour sélectionner la plage.

1-ALBUM Lecture d'un album MP3 sélectionné.

(1-Album) Appuyer sur [▶/▲] pour sélectionner un album MP3.

RANDOM (Aléatoire) Lecture dans un ordre aléatoire de toutes les plages.

1-ALBUM Lecture dans un ordre aléatoire de toutes les plages de l'album MP3.

RANDOM (1-Album aléatoire) Appuyer sur [▶/▲] pour sélectionner un album MP3.

ALL REPEAT (Reprise tout) Lecture en reprise de toutes les plages.

1-TRACK REPEAT (1-Plage reprise) sélectionnée.

1-ALBUM REPEAT (1-Album reprise) sélectionné.

1-ALBUM REPEAT Lecture en reprise de l'album sélectionné.

RANDOM REPEAT (Reprise aléatoire) RND

1-ALBUM REPEAT Lecture en reprise de l'album sélectionné.

1-ALBUM REPEAT Lecture en reprise de l'album sélectionné.

1-ALBUM REPEAT Lecture en reprise de l'album sélectionné.

1-ALBUM REPEAT Lecture en reprise de l'album sélectionné.

1-ALBUM REPEAT Lecture en reprise de l'album sélectionné.

1-ALBUM REPEAT Lecture en reprise de l'album sélectionné.

1-ALBUM REPEAT Lecture en reprise de l'album sélectionné.

1-ALBUM REPEAT Lecture en reprise de l'album sélectionné.

1-ALBUM REPEAT Lecture en reprise de l'album sélectionné.

1-ALBUM REPEAT Lecture en reprise de l'album sélectionné.

1-ALBUM REPEAT Lecture en reprise de l'album sélectionné.

1-ALBUM REPEAT Lecture en reprise de l'album sélectionné.

1-ALBUM REPEAT Lecture en reprise de l'album sélectionné.

1-ALBUM REPEAT Lecture en reprise de l'album sélectionné.

1-ALBUM REPEAT Lecture en reprise de l'album sélectionné.

1-ALBUM REPEAT Lecture en reprise de l'album sélectionné.

1-ALBUM REPEAT Lecture en reprise de l'album sélectionné.

1-ALBUM REPEAT Lecture en reprise de l'album sélectionné.

1-ALBUM REPEAT Lecture en reprise de l'album sélectionné.

1-ALBUM REPEAT Lecture en reprise de l'album sélectionné.

1-ALBUM REPEAT Lecture en reprise de l'album sélectionné.

1-ALBUM REPEAT Lecture en reprise de l'album sélectionné.

1-ALBUM REPEAT Lecture en reprise de l'album sélectionné.

1-ALBUM REPEAT Lecture en reprise de l'album sélectionné.

1-ALBUM REPEAT Lecture en reprise de l'album sélectionné.

1-ALBUM REPEAT Lecture en reprise de l'album sélectionné.

1-ALBUM REPEAT Lecture en reprise de l'album sélectionné.

1-ALBUM REPEAT Lecture en reprise de l'album sélectionné.

1-ALBUM REPEAT Lecture en reprise de l'album sélectionné.

1-ALBUM REPEAT Lecture en reprise de l'album sélectionné.

1-ALBUM REPEAT Lecture en reprise de l'album sélectionné.

1-ALBUM REPEAT Lecture en reprise de l'album sélectionné.

1-ALBUM REPEAT Lecture en reprise de l'album sélectionné.

1-ALBUM REPEAT Lecture en reprise de l'album sélectionné.

1-ALBUM REPEAT Lecture en reprise de l'album sélectionné.

Supports pris en charge

Disque

1 Appuyer sur [CD ▲] (appareil principal : [▲]) pour

ouvrir le plateau du disque.

Mettre un disque en place, étiquette vers le haut.

Appuyer à nouveau pour fermer le plateau du disque.

2 Appuyer sur [USB/CD] pour sélectionner « CD ».

USB

Préparatifs

Avant de brancher un dispositif USB à l'appareil, s'assurer d'avoir sauvegardé les données.

1 Baisser le volume et connecter le dispositif USB

au port USB.

Tenir l'appareil principal lors du branchement ou

débranchement du dispositif USB.

2 Appuyer sur [USB/CD] pour sélectionner « USB ».

Nota :

• Ne pas utiliser un câble de rallonge USB. Cet appareil ne

peut reconnaître un dispositif USB qui serait connecté au

milieu d'un câble.

• Pour les petits dispositifs USB, vous pouvez soulever

l'insert en plastique ou un cordon dans l'orifice prévu à cet

effet afin de pouvoir le débrancher facilement.

• Certains dispositifs ne peuvent être chargés car le courant

de recharge USB maximum n'est que 500 mA.

Bluetooth®

Vous pouvez connecter et lire un dispositif audio sans fil

via Bluetooth®.

Préparatifs

• Activer la fonction Bluetooth® sur le dispositif et placer

le dispositif à proximité de l'appareil.

• Pour de plus amples détails, se reporter à la notice

d'utilisation du dispositif.

Couplage d'un dispositif

Préparatifs

Si cet appareil est connecté à un dispositif Bluetooth®, le

déconnecter (➡ « Déconnexion d'un dispositif »).

1 Appuyer sur [⊗].

Si « PAIRING » s'affiche, passer à l'étape 3.

2 Appuyer sur [PLAY MENU] pour sélectionner

« PAIRING », puis appuyer sur [OK].

3 Sélectionner « SC-UXX100 » dans le menu

Bluetooth® du dispositif.

Si un message demande à entrer un mot de passe,

entrer « 0000 ».

Une fois le couplage effectué, le dispositif est

connecté à l'appareil.

Le nom du dispositif connecté s'affiche pendant

quelques secondes.

Utilisation de l'appareil principal

1 Appuyer et maintenir [⊗] [⊗] enfoncée jusqu'à ce que « PAIRING » s'affiche.

2 Sélectionner « SC-UXX100 » dans le menu

Bluetooth® du dispositif.

Nota :

Il est possible de couper jusqu'à 8 dispositifs auprès de cet

appareil. Si un 9^e dispositif est couplé, le dispositif resté le

plus longtemps inutilisé est remplacé.

Connexion d'un dispositif

Préparatifs

Si cet appareil est connecté à un dispositif Bluetooth®, le

déconnecter (➡ « Déconnexion d'un dispositif »).

1 Appuyer sur [⊗].

« BLUETOOTH READY » est affiché.

2 Sélectionner « SC-UXX100 » dans le menu

Bluetooth® du dispositif.

Le nom du dispositif connecté s'affiche pendant

quelques secondes.

3 Lancer la lecture sur votre dispositif.

Nota :

• Pour qu'il y ait connexion, le dispositif doit avoir été couplé

à cet appareil ne peut être connecté qu'à un seul dispositif à

la fois.

• Si la source « BLUETOOTH » est sélectionnée, cet appareil

essaye automatiquement de se connecter au dernier

dispositif connecté. (« LINKING » s'affiche durant ce

processus.)

Déconnexion d'un dispositif

1 Appuyer sur [⊗].

2 Appuyer sur [PLAY MENU] pour sélectionner

« DISCONNECT? ».

3 Appuyer sur [▲], [▼] pour sélectionner

« OK? YES », puis appuyer sur [OK].

« BLUETOOTH READY » est affiché.

Pour annuler, sélectionner « OK? NO ».

Utilisation de l'appareil principal

Appuyer et maintenir [⊗] [⊗] enfoncée jusqu'à ce que

« PAIRING » s'affiche.

Nota :

Un dispositif est déconnecté dans les situations suivantes :

• Sélection d'une source audio différente.

• Déplacement du dispositif hors de la portée maximum.

• Désactivation de transmission Bluetooth® du dispositif.

• Mise hors marche de l'appareil ou du dispositif.

Angle : Environ 20° en haut et en bas, 30° à gauche et droite
 Distance : À une distance d'environ 7 m (23 pi)

Capteur de signal de la télécommande

- 17 Pateau du disque
- 15 Port USB (←→)
- 14 Afficheur
- 13 Sélection de jukebox
- 12 Sélection des effets sonores
- 11 Affichage du menu de lecture
- 10 Pour annuler, appuyer de nouveau sur la touche. « MUTE » est également annulé lors du réglage du volume ou de la mise hors marche de l'appareil.
- 9 Réglage du volume
- 8 Pour annuler, appuyer de nouveau sur la touche. L'éclairage est également désactivé.
- 7 Ouverture ou fermeture du plateau du disque
- 6 Sélection ou confirmation de l'option
- 5 Affichage des informations sur le contenu
- 4 Affichage du menu de configuration
- 3 Touches des fonctions de lecture de base
- 2 Sélection de la source audio
- 1 Appuyer sur cet interrupteur pour commuter l'appareil du mode de marche au mode attente et vice versa. En mode attente, l'appareil continue de consommer une petite quantité de courant.

Interrupteur de marche/attente [⏏], [⏏]

Appuyer sur cet interrupteur pour commuter l'appareil du mode de marche au mode attente et vice versa. En mode attente, l'appareil continue de consommer une petite quantité de courant.

Appuyer et maintenir [⏏] enfoncée pour démarrer le couplage Bluetooth®.

Touches des fonctions de lecture de base

Affichage du menu de configuration

Affichage des informations sur le contenu

Sélection ou confirmation de l'option

Ouverture ou fermeture du plateau du disque

Atténuation de la luminosité de l'afficheur

Pour annuler, appuyer de nouveau sur la touche.

Réglage du volume

Mise en sourdine

Pour annuler, appuyer de nouveau sur la touche.

Affichage du menu de lecture

Sélection des effets sonores

Sélection de jukebox

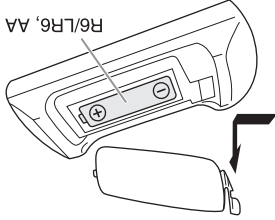
Afficheur

Port USB (←→)

Pateau du disque

Capteur de signal de la télécommande

Préparatifs pour la télécommande

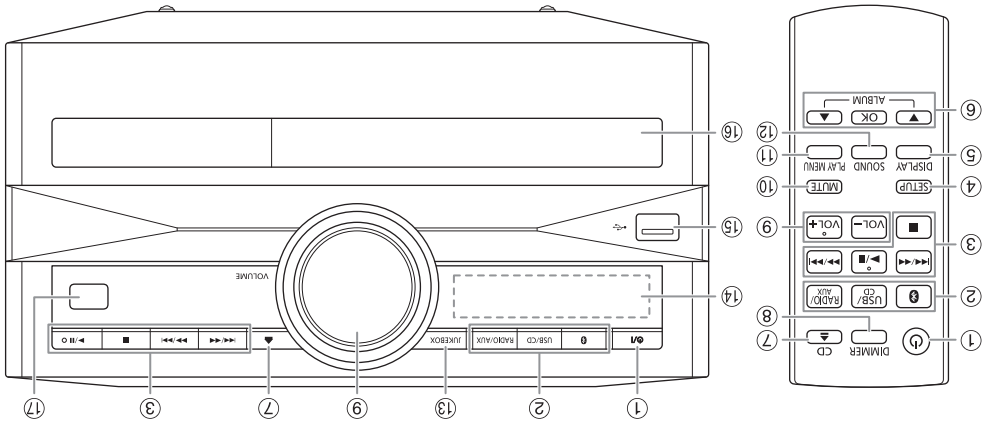


Utiliser une pile alcaline ou au manganèse.

Mettre la pile en place de manière que ses pôles (+ et -) soient alignés avec ceux de la télécommande.

Les opérations décrites dans ce manuel sont pilotées à partir de la télécommande, mais il est possible d'utiliser

Emplacement des commandes



Positionnement des enceintes

Les enceintes de gauche et de droite sont identiques.

N'utiliser que les enceintes fournies.

L'utilisation d'autres enceintes pourrait endommager la

chaîne et diminuer la qualité du rendu sonore.

Nota :

- Afin d'assurer une aération adéquate de la chaîne, éloignez les enceintes d'au moins 10 mm (3/8" PO).

- Placer les enceintes sur une surface plane et stable.

- Ces enceintes ne sont pas munies d'un blindage

- magnétique. Éviter de les positionner près d'un téléviseur, d'un ordinateur ou d'autres appareils pouvant être affectés

- par des perturbations magnétiques.

- Une écoute à haut volume pendant une longue période peut

- endommager les enceintes et en abréger la durée de vie.

- Afin de prévenir les risques de dommage, baisser le volume

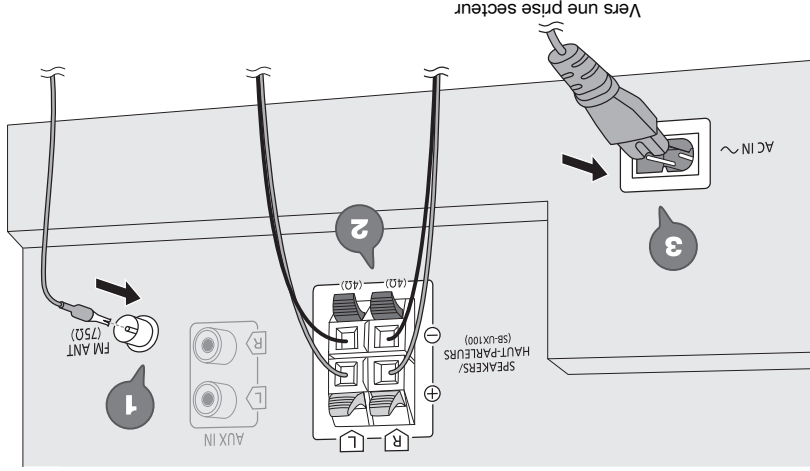
- dans les conditions suivantes :

- Si le son est déformé.

- Lors du réglage de la qualité du rendu sonore.

Raccordements

Brancher le cordon d'alimentation secteur dans la prise secteur une fois que tous les autres raccordements ont été effectués.



Vers une prise secteur

1

Raccorder l'antenne FM intérieure.

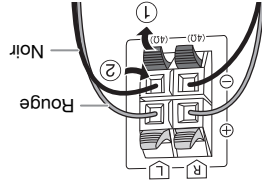
Placer l'antenne à l'endroit offrant la meilleure

réception.

2

Raccorder les enceintes.

Connecter les câbles d'enceinte aux bornes de mêmes couleurs.



3

Brancher le cordon d'alimentation.

Ne pas utiliser d'autres cordons d'alimentation secteur que celui fourni.

Economie d'énergie

L'appareil consomme une petite quantité d'électricité quand il est en mode veille. Débrancher le cordon d'alimentation si l'appareil n'est pas utilisé. Certains réglages seront supprimés si l'alimentation est débranchée. Il sera donc nécessaire de les refaire.

ATTENTION !

- N'utiliser les enceintes qu'avec la chaîne recommandée. Autrement, cela pourrait endommager l'amplificateur et les haut-parleurs et causer un incendie. En cas de dommage ou d'une altération subite apparente du rendement, consulter un centre de service agréé.
- Ne pas modifier les enceintes ou les câbles d'enceinte, car ceci peut endommager le système.
- Suivre les procédures décrites dans le présent manuel concernant le raccordement des enceintes.
- Éviter de toucher les surfaces réfléchissantes du cône du haut-parleur :
- Ceci peut endommager le cône du haut-parleur.
- Le cône du haut-parleur peut être chaud.

Références

À propos de Bluetooth®

Panasonic décline toute responsabilité pour la compromission de données ou de renseignements qui pourrait survenir pendant une transmission sans fil.

- **Bande de fréquences**
Cet appareil fonctionne sur la bande de fréquence de 2,4 GHz.

Certification

- Cet appareil satisfait aux restrictions en matière des bandes de fréquences et a été certifié en vertu des lois sur l'utilisation des bandes de fréquences. Par conséquent, l'obtention d'un permis de transmission sans fil n'est pas requise.

- Les actions décrites ci-dessous sont punissables en vertu de la loi :
 - Démontage et/ou modification de l'appareil.
 - Retrait des indications relatives aux spécifications.

Restrictions à l'utilisation

- La liaison sans fil et/ou l'utilisation avec tous les dispositifs compatibles avec Bluetooth® ne sont pas garanties.
- Tous les dispositifs doivent être conformes aux normes établies par Bluetooth SIG, Inc.
- Selon les spécifications et les paramètres d'un dispositif, la connexion pourrait être impossible ou certaines opérations pourraient être différentes.
- Cet appareil prend en charge les fonctionnalités de sécurité Bluetooth®. Cependant, selon l'environnement d'exploitation et/ou les paramètres, ces mesures de sécurité pourraient ne pas être suffisantes. La transmission de données vers cet appareil doit se faire avec le plus grand discernement.
- Cet appareil ne peut transmettre de données à un dispositif Bluetooth®.

Rayon d'action

- Utiliser ce dispositif à une distance maximum de 10 m (33 pi).
- Le rayon d'action peut être réduit en raison de l'environnement, d'obstacles ou d'interférence.

Interférence en provenance d'autres appareils

- Cet appareil ne pas fonctionner adéquatement et des problèmes tels que des sauts de son et du bruit pourraient survenir en raison d'ondes électromagnétiques si cet appareil est placé trop près d'autres dispositifs Bluetooth® ou des dispositifs fonctionnant sur la bande de fréquence de 2,4 GHz.
- Cet appareil pourrait ne pas fonctionner adéquatement si des ondes électromagnétiques en provenance d'une station émettrice avoisinante, etc., sont trop fortes.

Utilisation prévue

- Cet appareil est conçu pour un usage général.
- Ne pas utiliser cet appareil près d'un équipement dans un milieu sensible à l'interférence radio (exemples : aéroports, hôpitaux, laboratoires, etc.).

Licences

La marque et les logos Bluetooth® sont des marques déposées appartenant à Bluetooth SIG, Inc. et toute utilisation de telles marques par Panasonic Corporation est sous licence. Les autres marques de commerce et dénominations commerciales appartiennent à leurs propriétaires respectifs.

Google Play et Android sont des marques de commerce de Google Inc.

La technologie de codage audio MPEG Layer-3 est sous licence de Fraunhofer IIS et Thomson.

Accessoires fournis

Vérifier les accessoires en les cochant.

Utiliser les numéros indiqués entre parenthèses lors de la commande de pièces de rechange. (Les numéros de produits sont en date de août 2016. Ceux-ci pourraient changer.)

Pour la commande d'accessoires, contacter le détaillant où l'appareil a été acheté.

- 1 cordon d'alimentation (K2CB2CB0022)

- 1 antenne FM intérieure (RSAX002)



- 1 télécommande (N2OAYB001093)

- 1 pile de la télécommande

(Seulement pour le Canada)
La feuille d'autocollants en français ci-incluse correspond aux noms des touches, prises ou voyants indiqués en anglais sur l'avant et l'arrière du boîtier de l'appareil.

Entretien

- **Pour nettoyer l'appareil, utiliser un chiffon doux et sec.** Ne jamais utiliser d'alcool, de diluant pour peinture ni de benzène pour nettoyer l'appareil.
- Avant d'utiliser un chiffon traité chimiquement, lire attentivement les directives sur l'emballage du chiffon.

Mesures de sécurité

AVERTISSEMENT !

Appareil
● Pour réduire les risques d'incendie, de choc électrique ou de dommage à l'appareil,

- Ne pas exposer cet appareil à la pluie, à l'humidité, à l'égouttement ou aux éclaboussures.
- Ne placer sur l'appareil aucun objet rempli de liquide, comme par exemple des vases.
- Utiliser exclusivement les accessoires recommandés.

Appareil

- Ne pas retirer les couvercles.
- Toute réparation doit être faite par un personnel qualifié et non par l'utilisateur.
- Ne pas laisser tomber des objets métalliques à l'intérieur de l'appareil.

ATTENTION !

Appareil

- Pour réduire les risques d'incendie, de choc électrique ou de dommage à l'appareil,
 - Ne pas installer cet appareil dans une bibliothèque, une armoire ou tout autre espace confiné. S'assurer que la ventilation de l'appareil est adéquate.
 - Ne pas obstruer les événements d'aération de l'appareil avec des journaux, des nappes, des rideaux ou d'autres objets similaires.
 - Ne placer aucune source de flamme nue, telles des bougies allumées, sur l'appareil.
- Cet appareil est doté d'un lecteur au laser. L'utilisation de commandes ou le recours à des réglages autres que ceux indiqués dans ce manuel peuvent présenter des risques d'exposition à des radiations.
- Placer l'appareil sur une surface plane et ne pas l'exposer aux rayons solaires directs, à des vibrations excessives.

Cordon d'alimentation

- La fiche d'alimentation permet de déconnecter l'appareil. L'appareil doit être installé à proximité d'une prise secteur facile d'accès.

Pile

- Danger d'explosion si la pile n'est pas remplacée correctement. La remplacer uniquement par une pile de type recommandé par le fabricant.
- Lors de la mise au rebut de la pile, contacter l'administration locale ou le revendeur et s'informer de la bonne façon de procéder.
- Ne pas chauffer ou exposer au feu.
- Ne pas laisser la(les) pile(s) dans un véhicule exposé au soleil avec vitres et portes fermées pendant une longue période de temps.
- Ne pas tenter de recharger la pile alcaline ou au manganèse.
- Ne pas utiliser une pile dont l'enveloppe a été retirée pendant un certain temps. La ranger dans un endroit sombre et frais.



Le symbole de l'éclair dans un triangle équilatéral indique la présence d'une tension suffisamment élevée pour engendrer un risque de chocs électriques.

Le point d'exclamation dans un triangle équilatéral inclus avec l'appareil contient d'importantes recommandations quant à l'entretien de ce dernier.

| | | |
|--|---|--|
| | AVIS RISQUE DE CHOC ÉLECTRIQUE NE PAS OUVRIR | |
| ATTENTION : AFIN DE PRÉVENIR LE RISQUE DE CHOC ÉLECTRIQUES, NE PAS RETIRER LES VIS. IL N'Y A AUCUNE PIÈCE RÉPARABLE PAR L'UTILISATEUR À L'INTÉRIEUR. TOUTE RÉPARATION DEVRAIT ÊTRE CONFIEE À UN PERSONNEL QUALIFIÉ. | | |

IMPORTANTES MISES EN GARDE

Mesures de sécurité 2

Références 3

Accessoires fournis 4

Entretien 4

Positionnement des enceintes 5

Raccordements 5

Emplacement des commandes 6

Préparatifs pour la télécommande 7

Supports pris en charge 7

Lecture multimédia 8

Radio 9

Horloge et minuteries 10

Effets sonores 11

Jukebox 11

Appareil externe 12

Autres 12

Dépannage 13

Spécifications 15

CANADA) 16

Certificat de garantie limitée (SEULEMENT POUR LE

Table des matières

Le dispositif rencontre l'exemption des limites d'évaluation courante dans la section 2.5 de la norme CNR-102 et est conforme aux limites d'exposition RF de l'information canadienne au sujet des limites d'exposition RF et de la conformité.

Contient IC : 216A-B2-1R1401

CAN ICES-3(B)/NMB-3(B)

CE QUI S'APPLIQUE QU'AU CANADA

Le présent appareil est conforme à la partie 15 des règles de la FCC et aux CNR d'Industrie Canada applicables aux appareils radio exempts de licence. L'exploitation est autorisée aux deux conditions suivantes :

(1) l'appareil ne doit pas produire de brouillage, et (2) l'utilisateur de l'appareil doit accepter tout brouillage radioélectrique subi, même si le brouillage est susceptible d'en compromettre le fonctionnement.

ET AU CANADA CE QUI S'APPLIQUE QU'aux États-Unis

| | |
|--------------------|----------|
| Chaîne | SC-UX100 |
| Appareil principal | SA-UX100 |
| Enceintes | SB-UX100 |

Le présent manuel concerne la chaîne suivante. Votre appareil et les illustrations pourraient ne pas avoir exactement la même apparence que ce qui est montré dans le présent manuel.

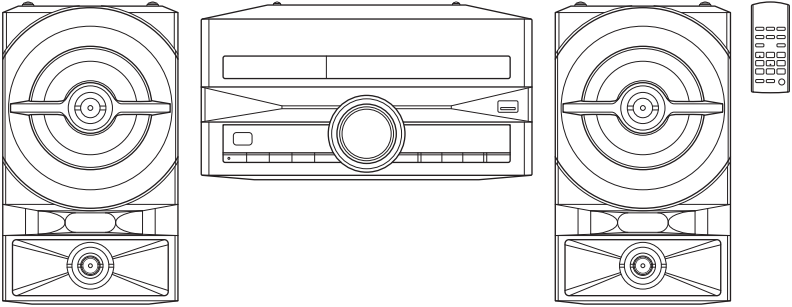
1. Lire attentivement ces instructions.
2. Conserver ces instructions.
3. Lire toutes les mises en garde.
4. Suivre toutes les instructions.
5. Ne pas utiliser cet appareil près d'une source d'eau.
6. Ne nettoyer qu'avec un chiffon sec.
7. Ne pas bloquer les événements d'aération. Installer l'appareil selon les instructions du fabricant.
8. Ne pas installer l'appareil près d'un appareil de chauffage tel qu'un radiateur, une cuisinière, un registre de chaleur ou tout dispositif émettant de la chaleur (y compris un amplificateur).
9. Pour des raisons de sécurité, ne pas modifier la fiche polarisée ou celle de mise à la terre. Une fiche polarisée est une fiche à deux lames, dont une plus large. Une fiche de mise à la terre est une fiche à deux lames avec une broche de masse. La lame plus large ou la broche de masse procure une protection accrue. Si ce genre de fiche ne peut être inséré dans une prise de courant, communiquer avec un électricien pour remplacer la prise.
10. S'assurer que le cordon est placé dans un endroit où il ne risque pas d'être écrasé, piétiné ou coincé. Faire particulièrement attention à ses extrémités de branchement, y compris sa fiche.
11. N'utiliser que les accessoires ou périphériques recommandés par le fabricant.
12. N'utiliser l'appareil qu'avec une baie, support, trépied, gabarit d'installation, etc. recommandé par le fabricant ou vendu avec l'appareil. Si une baie ou un support est utilisée et que l'appareil doit être déplacé, faire attention à ne pas les renverser.
13. Débrancher cet appareil lors d'un orage ou en cas de non-utilisation prolongée.
14. Confier l'appareil à un technicien qualifié pour toute réparation : cordon d'alimentation ou fiche endommagée, liquide renversé ou objet tombé dans l'appareil, exposition à la pluie ou à une humidité excessive, mauvais fonctionnement ou échappement de l'appareil.



IMPORTANTES MISES EN GARDE

Avant d'utiliser l'appareil, lire attentivement les instructions qui suivent. Se conformer tout particulièrement aux avertissements inscrits sur l'appareil et aux consignes de sécurité indiquées ci-dessous.

Conserver le présent manuel pour consultation ultérieure.



Nous vous remercions d'avoir arrêté votre choix sur cet appareil.
Pour en tirer un rendement optimal et par mesure de sécurité, lire attentivement le présent manuel.
Conserver ce manuel pour référence ultérieure.

Pour le Canada

Pour toute assistance supplémentaire, visiter :
www.panasonic.ca/french/support