

Panasonic®

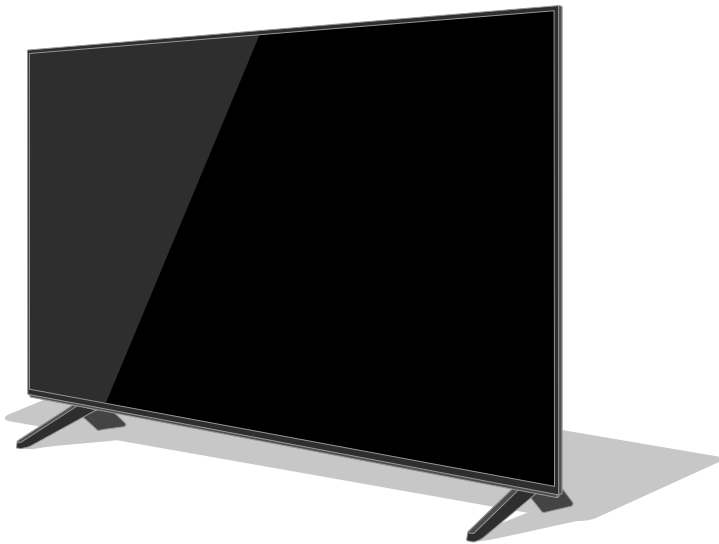
Operating Instructions

LED TV

English

Model No.

TC-55FX600C
TC-65FX600C



VIERA



For more detailed instructions, please refer to [eHELP]
(Built-in Operating Instructions).

- How to use [eHELP] ➔ (p. 19)

Thank you for purchasing this Panasonic product.

Please read these instructions carefully before operating this product and retain them for future reference.

Please carefully read the “Safety Precautions” of this manual before use.

The images shown in this manual are for illustrative purposes only.



TQB4GD0075-1



The illustration for TC-55FX600C is used in this manual unless otherwise mentioned.
Illustrations shown may be different between models and countries.

Contents

Please read before using the unit

Safety Precautions	4
Accessories/Optional accessories	8
Installing the TV	8
Installing the wall-hanging bracket	11
Connections	12
Identifying Controls	16
First Time Setup	18
Using eHELP (Built-in Manual)	19
Frequently Asked Questions (FAQ)	20
Care and Cleaning	21
Specifications	22
Limited Warranty (for Canada)	23

This product incorporates the following software:

- (1) the software developed independently by or for Panasonic Corporation,
- (2) the software owned by third party and licensed to Panasonic Corporation,
- (3) Firefox OS is powered by Mozilla,
- (4) the software licensed under the GNU General Public License Version 2.0 (GPL V2.0),
- (5) the software licensed under the GNU LESSER GENERAL PUBLIC LICENSE Version 2.1 (LGPL V2.1) and/or,
- (6) open sourced software other than the software licensed under the GPL V2.0 and/or LGPL V2.1.

About the software categorized as (3), please refer to the "About Firefox OS" menu.

The software categorized as (4) and (6) are distributed in the hope that it will be useful, but WITHOUT ANY WARRANTY, without even the implied warranty of MERCHANTABILITY or FITNESS FOR A PARTICULAR PURPOSE. Please refer to the detailed terms and conditions thereof shown in the "Software License" menu on this product.

At least three (3) years from delivery of this product, Panasonic will give to any third party who contacts us at the contact information provided below, for a charge no more than our cost of physically performing source code distribution, a complete machine-readable copy of the corresponding source code covered under GPL V2.0, LGPL V2.1 or the other licenses with the obligation to do so, as well as the respective copyright notice thereof.

Contact Information: cdrequest@unipf.jp

The source code and the copyright notice are also available for free in our website below.

<http://www.unipf.jp/dl/DTV18U/>

"PlayReady" is a trademark registered by Microsoft. Please be aware of the following.

(a) This product contains technology subject to certain intellectual property rights of Microsoft. Use or distribution of this technology outside of this product is prohibited without the appropriate license(s) from Microsoft.

(b) Content owners use Microsoft PlayReady™ content access technology to protect their intellectual property, including copyrighted content. This device uses PlayReady technology to access PlayReady-protected content and/or WMDRM-protected content. If the device fails to properly enforce restrictions on content usage, content owners may require Microsoft to revoke the device's ability to consume PlayReady-protected content. Revocation should not affect unprotected content or content protected by other content access technologies.

Content owners may require you to upgrade PlayReady to access their content.

If you decline an upgrade, you will not be able to access content that requires the upgrade.

VIERA Link™ and HDAVI Control™ are trademarks of Panasonic Corporation.

The terms HDMI and HDMI High-Definition Multimedia Interface, and the HDMI Logo are trademarks or registered trademarks of HDMI Licensing Administrator, Inc. in the United States and other countries.

Manufactured under license from Dolby Laboratories. Dolby, Dolby Audio and the double-D symbol are trademarks of Dolby Laboratories.

DLNA®, the DLNA Logo and DLNA CERTIFIED™ are trademarks, service marks, or certification marks of the Digital Living Network Alliance.

x.v.Color™ is a trademark.

Speech Powered by Dragon
2002-2018 Nuance Communications, Inc. All rights reserved.

Firefox® OS is a registered trademark of the Mozilla Foundation.

This product is licensed under the AVC patent portfolio license for the personal and non-commercial use of a consumer to (i) encode video in compliance with the AVC Standard ("AVC Video") and/or (ii) decode AVC Video that was encoded by a consumer engaged in a personal and non-commercial activity and/or was obtained from a video provider licensed to provide AVC Video. No license is granted or shall be implied for any other use. Additional information may be obtained from MPEG LA, LLC.
See <http://www.mpegla.com>.

Panasonic does not guarantee operation and performance of peripheral devices made by other manufacturers; and we disclaim any liability or damage arising from operation and/or performance from usage of such other maker's peripheral devices.

Handling of customer information

When using Internet connecting function of this TV, after agreeing to Panasonic's terms of service / privacy policy (hereinafter referred to as terms and conditions etc.), Customer Information on the use of this unit may be collected and used according to terms and conditions etc.

For details of terms of service / privacy policy, refer to [eHELP] (Search by Purpose > Network > Network settings > Terms of Service and Settings).

Customer's personal information may be recorded on this TV by broadcasting organization or application provider. Before repairing, transferring or discarding this TV, erase all the information recorded on this TV according to the following procedure.

[eHELP] (Search by Purpose > All settings > Setup > Systems settings > Factory defaults).

Customer Information may be collected by provider via application provided by third parties on this TV or website. Please confirm the terms and conditions etc. of provider in advance.

- Panasonic will not be held responsible for collecting or using customer Information via application provided by third party on this TV or website.
- When entering your credit card number, name, etc., pay special attention to the trustworthiness of the provider.
- Registered information may be registered in the server etc. of provider. Before repairing, transferring or discarding this TV, be sure to erase the information according to the terms and conditions etc. of provider.

Safety Precautions

CAUTION
RISK OF ELECTRIC SHOCK
DO NOT OPEN

WARNING: To reduce the risk of electric shock, do not remove cover or back. No user-serviceable parts inside. Refer servicing to qualified service personnel.



The lightning flash with arrowhead within a triangle is intended to tell the user that parts inside the product are a risk of electric shock to persons.



The exclamation point within a triangle is intended to tell the user that important operating and servicing instructions are in the papers with the appliance.



This mark indicates the product operates on AC voltage.



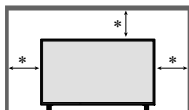
This mark indicates a Class II or double insulated electrical appliance wherein the product does not require a safety connection to electrical earth (ground).

Note to CATV System Installer

This reminder is provided to direct the CATV system installer's attention to Article 820-40 of the NEC that provides guidelines for proper grounding and, in particular, specifies that the cable ground shall be connected to the grounding system of the building, as close to the point of cable entry as practical.

Secure Ventilation

Slots and openings in the cabinet and the back or bottom are provided for ventilation, and to ensure reliable operation of the TV and to protect it from overheating. These openings must not be blocked or covered. There should be at least 4 inches (10 cm) of space around the TV. The openings should never be blocked by placing the TV on a bed, sofa, rug or other similar surface. This TV should not be placed in a built-in installation such as a bookcase unless proper ventilation is provided.



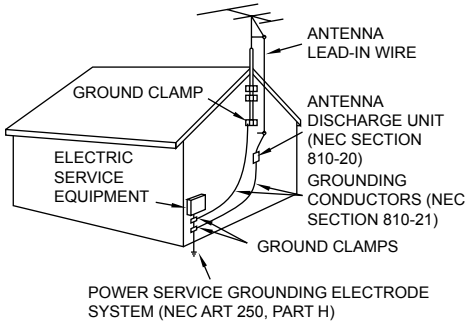
* 4" (10 cm)

Important Safety Instructions (TV set)

- 1) Read these instructions.
 - 2) Keep these instructions.
 - 3) Heed all warnings.
 - 4) Follow all instructions.
 - 5) Do not use this apparatus near water.
 - 6) Clean only with dry cloth.
 - 7) Do not block any ventilation openings. Install in accordance with the manufacturer's instructions.
 - 8) Do not install near any heat sources such as radiators, heat registers, stoves or other apparatus (including amplifiers) that produce heat.
 - 9) Do not defeat the safety purpose of the polarized or grounding-type plug. A polarized plug has two blades with one wider than the other. A grounding type plug has two blades and a third grounding prong. The wide blade or the third prong are provided for your safety. If the provided plug does not fit into your outlet, consult an electrician for replacement of the obsolete outlet.
 - 10) Protect the power cord from being walked on or pinched particularly at plugs, convenience receptacles, and the point where they exit from the apparatus.
 - 11) Only use attachments / accessories specified by the manufacturer.
 - 12) Use only with the cart, stand, tripod, bracket or table specified by the manufacturer, or sold with the apparatus. When a cart is used, use caution when moving the cart / apparatus combination to avoid injury from tip-over.
-
- 13) Unplug this apparatus during lightning storms or when unused for long periods of time.
 - 14) Refer all servicing to qualified service personnel. Servicing is required when the apparatus has been damaged in any way, such as power-supply cord or plug is damaged, liquid has been spilled or objects have fallen into the apparatus, the apparatus has been exposed to rain or moisture, does not operate normally, or has been dropped.
 - 15) Operate only from the type of power source indicated on the marking label. If you are not sure of the type of power supplied to your home, consult your television dealer or local power company.
 - 16) Follow all warnings and instructions marked on the TV.
 - 17) Never push objects of any kind into this TV through cabinet slots as they may touch dangerous voltage points or short out parts that could result in a fire or electric shock. Never spill liquid of any kind on the TV.
 - 18) If an outside antenna is connected to the television equipment, be sure the antenna system is grounded so as to provide some protection against voltage surges and built up static charges. In the U.S. Section 810-21 of the National Electrical Code provides information with respect to proper grounding of the mast and supporting structure,

grounding of the lead-in wire to an antenna discharge unit, size of grounding conductors, location of antenna discharge unit, connection to grounding electrodes, and requirements for the grounding electrode.

EXAMPLE OF ANTENNA GROUNDING AS PER (NEC) NATIONAL ELECTRICAL CODE



19) An outside antenna system should not be located in the vicinity of overhead power lines, other electric light, power circuits, or where it can fall into such power lines or circuits. When installing an outside antenna system, extreme care should be taken to keep from touching such power lines or circuits as contact with them might be fatal.

20) Unplug this TV from the wall outlet and refer servicing to qualified service personnel under the following conditions:

- a. When the power cord or plug is damaged or frayed.
- b. If liquid has been spilled into the TV.
- c. If the TV has been exposed to rain or water.
- d. If the TV does not operate normally by following the operating instructions.

Adjust only those controls that are covered by the operating instructions as improper adjustment of other controls may result in damage and will often require extensive work by a qualified technician to restore the TV to normal operation.

- e. If the TV has been dropped or the cabinet has been damaged.
- f. When the TV exhibits a distinct change in performance - this indicates a need for service.

21) When replacement parts are required, be sure the service technician uses replacement parts specified by the manufacturer that have the same characteristics as the original parts. Unauthorized substitutions may result in fire, electric shock, or other hazards.

22) WARNING:

TO REDUCE THE RISK OF FIRE OR ELECTRIC SHOCK, DO NOT EXPOSE THIS APPARATUS TO RAIN, MOISTURE, DRIPPING OR SPLASHING.

DO NOT PLACE LIQUID CONTAINERS (FLOWER VASES, CUPS, COSMETICS, ETC.) ABOVE THE SET (INCLUDING ON SHELVES ABOVE, ETC.).

23) WARNING:

Never place a TV in an unstable location. A TV may fall, causing serious personal injury or death. Many injuries, particularly to children, can be avoided by taking simple precautions such as:

- Using cabinets or stands recommended by the manufacturer of the TV.
- Only using furniture that can safely support the TV.
- Ensuring the TV is not overhanging the edge of the supporting furniture.
- Not placing the TV on tall furniture (for example, cupboards or bookcases) without anchoring both the furniture and the TV to a suitable support.
- Not placing the TV on cloth or other materials placed between the TV and supporting furniture.
- Educating children about the dangers of climbing on furniture to reach the TV or its controls.

If your existing TV is being retained and relocated, the same considerations as above should be applied.

24) WARNING:

SMALL PARTS CAN PRESENT CHOKING HAZARD IF ACCIDENTALLY SWALLOWED. KEEP SMALL PARTS AWAY FROM YOUNG CHILDREN.

DISCARD UNNEEDED SMALL PARTS AND OTHER OBJECTS, INCLUDING PACKAGING MATERIALS AND PLASTIC BAGS/SHEETS TO PREVENT THEM FROM BEING PLAYED WITH BY YOUNG CHILDREN, CREATING THE POTENTIAL RISK OF SUFFOCATION.

25) WARNING:

To prevent the spread of fire, keep candles or other open flames away from this product at all times.



26) WARNING:

Do not place this TV in any medical institutions or locations with medical devices.

Radio waves from this TV may interfere with the medical devices and cause accidents due to the malfunction.

27) WARNING:

Do not use this TV near any automatic control devices such as automatic doors or fire alarms.

Radio waves from this TV may interfere with the automatic control devices and cause accidents due to the malfunction.

28) WARNING:

Keep this TV away at least 20 inches (50 cm) from the location where a cardiac pacemaker is implanted.

Radio waves from this TV may interfere with the operation of the pacemaker.

29) **CAUTION:**

The Power switch on this unit will not completely shut off all power from AC outlet. Since the power cord serves as the main disconnect device for the unit, you will need to unplug it from the AC outlet to shut down all power.

Therefore, make sure the unit has been installed so that the power cord can be easily unplugged from AC outlet in case of an accident. To avoid fire hazard, the power cord should also be unplugged from the AC outlet when left unused for a long period of time (for example, when on vacation).

30) **CAUTION:**

TO PREVENT ELECTRIC SHOCK, DO NOT USE THIS PLUG WITH A RECEPTACLE OR OTHER OUTLET UNLESS THE BLADES CAN BE FULLY INSERTED TO PREVENT BLADE EXPOSURE.

31) **CAUTION:**

USE WITH OTHER STAND MAY RESULT IN INSTABILITY POSSIBLY CAUSING INJURY.

32) **CAUTION:**

DANGER OF EXPLOSION IF BATTERY IS INCORRECTLY REPLACED. REPLACE ONLY WITH THE SAME OR EQUIVALENT TYPE.

33) **CAUTION:**

Do not install in an area subject to insects (vermin). They can enter the TV and become trapped, which can cause internal damage or become viewable through the screen.

34) **CAUTION:**

Do not install in an area subject to dust or smoke. Dust or smoke can enter through the TV's vents and become trapped inside, which can cause overheating that can lead to a malfunction or picture quality deterioration.

IC STATEMENT

This device complies with Industry Canada's licence-exempt RSSs. Operation is subject to the following two conditions:

- 1) This device may not cause interference; and
- 2) This device must accept any interference, including interference that may cause undesired operation of the device.

FCC and Industry Canada (IC) RF Exposure Warning:

- **This TV is provided with built-in transmitter: Wireless LAN Adapter with FCC ID: NKR-P75B/IC ID: 4441A-P75B.**
- **This transmitter complies with FCC and IC radiation exposure limits set forth for an uncontrolled environment for mobile use with minimum 8 inches (20 cm) spacing requirement between transmitters and all person's body (excluding extremities of hands, wrist and feet) during wireless modes of operation.**
- **Other third-party wireless transmitters should not be used as they have not been RF exposure evaluated for use with this TV and may not comply with RF exposure requirements.**

<Only for wireless LAN if capable of transmission in the 5.15 ~ 5.25 GHz frequency band>

This product is restricted to indoor use due to its operation in the 5.15 to 5.25 GHz frequency range.

IC requires this product to be used indoors for the frequency range 5.15 to 5.25 GHz to reduce the potential for harmful interference to co-channel Mobile Satellite systems. High power radars are allocated as primary users of the 5.25 to 5.35 GHz and 5.65 to 5.85 GHz bands. These radar stations can cause interference with and/or damage this product.

WARNING

Flat panel displays are not always supported on the proper stands or installed according to the manufacturer's recommendations. Flat panel displays that are inappropriately situated on dressers, bookcases, shelves, desks, speakers, chests, or carts may fall over and may cause personal injury or even death.

The Consumer Electronics Association (CEA), of which Panasonic is a member, is committed to making home entertainment enjoyable and safe. To prevent personal injury or death, be sure to follow these following safety guidelines:

CEA CHILD SAFETY NOTICE

THE CONSUMER ELECTRONICS INDUSTRY CARES

- Manufacturers, retailers and the rest of the consumer electronics industry are committed to making home entertainment safe and enjoyable.
- As you enjoy your television, please note that all televisions – new and old- must be supported on proper stands or installed according to the manufacturer's recommendations. Televisions that are inappropriately situated on dressers, bookcases, shelves, desks, speakers, chests, carts, etc., may fall over, resulting in injury.

TUNE IN TO SAFETY

- ALWAYS follow the manufacturer's recommendations for the safe installation of your television.
- ALWAYS read and follow all instructions for proper use of your television.
- NEVER allow children to climb on or play on the television or the furniture on which the television is placed.
- NEVER place the television on furniture that can easily be used as steps, such as a chest of drawers.
- ALWAYS install the television where it cannot be pushed, pulled over or knocked down.
- ALWAYS route cords and cables connected to the television so that they cannot be tripped over, pulled or grabbed.

WALL OR CEILING MOUNT YOUR TELEVISION

- ALWAYS contact your retailer about professional installation if you have any doubts about your ability to safely mount your television
- ALWAYS use a mount that has been recommended by the television manufacturer and has a safety certification by an independent laboratory (such as UL, CSA, ETL).
- ALWAYS follow all instructions supplied by the television and mount manufacturers.
- ALWAYS make sure that the wall or ceiling where you are mounting the television is appropriate. Some mounts are not designed to be mounted to walls and ceilings with steel studs or cinder block construction. If you are unsure, contact a professional installer.
- Televisions can be heavy. A minimum of two people is required for a wall or ceiling mount installation.

MOVING AN OLDER TELEVISION TO A NEW PLACE IN YOUR HOME

- Many new television buyers move their older CRT televisions into a secondary room after the purchase of a flat-panel television. Special care should be made in the placement of older CRT televisions.
- ALWAYS place your older CRT television on furniture that is sturdy and appropriate for its size and weight.
- NEVER place your older CRT television on a dresser where children may be tempted to use the drawers to climb.
- ALWAYS make sure your older CRT television does not hang over the edge of your furniture.

Panasonic recommends that a qualified installer perform the wall-mount installation. See page 26.



The American Academy of Pediatrics discourages media viewing for children younger than two years. For more details, see www.aap.org.

Internet apps are provided by their respective service providers, and may be changed, interrupted, or discontinued at any time. Panasonic assumes no responsibility and makes no warranty for the availability or the continuity of the services.

Accessories/ Optional accessories

Accessories

Check that all the following items have been included with your TV

Remote Control

- N2QAYB001131



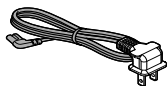
Batteries (2)

- AA Battery



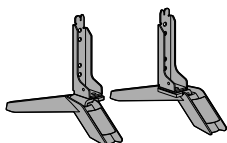
Power cord

55-inch model



Pedestal

- Assembly (p. 9)



Owner's Manual

Quick start guide

Child safety sheet

Optional Accessories

Please contact your nearest Panasonic dealer to purchase the recommended optional accessories. For additional details, please refer to the optional accessories installation manual.

- Product information (Model No. and release date etc.) is subject to change without notice.
- For more information
<http://www.panasonic.com>

Installing the TV

Assembling / Removing the pedestal

(A) Assembly screw (4)



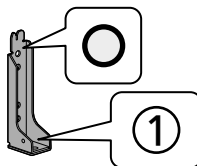
M5 x 12 (mm)

(B) Assembly screw (4)

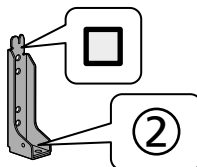


M4 x 12 (mm)

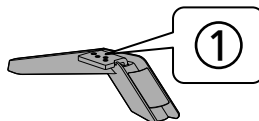
(C) Bracket ①



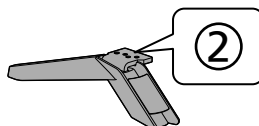
(D) Bracket ②



(E) Base ①



(F) Base ②



Preparations

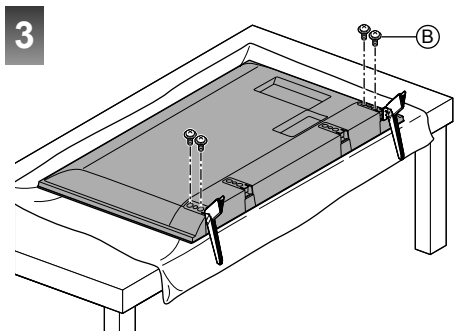
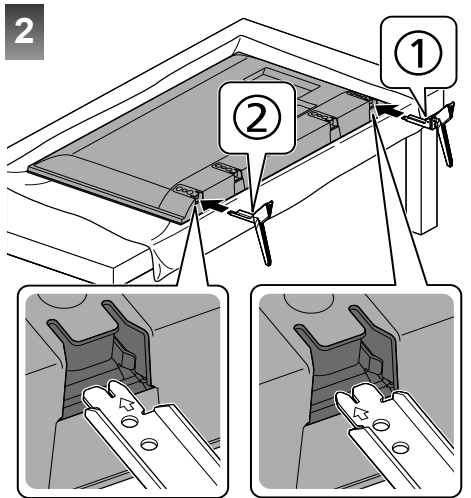
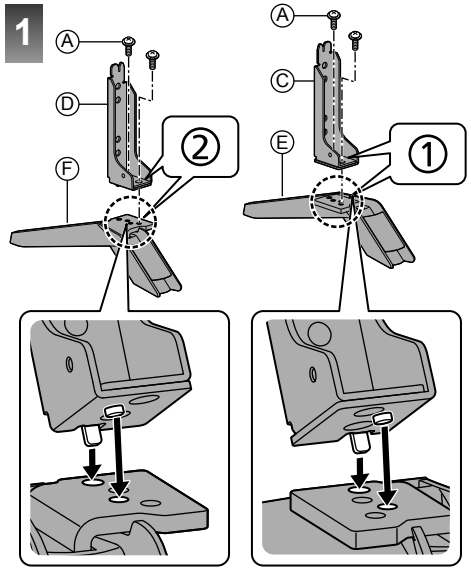
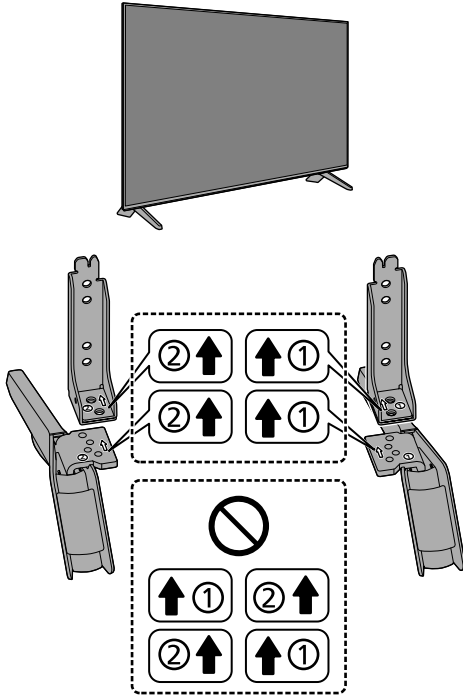
Take out the pedestal and the TV from the packing case and put the TV onto a work table with the screen panel down on the clean and soft cloth (blanket, etc.)

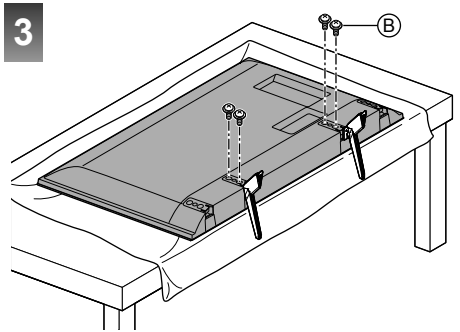
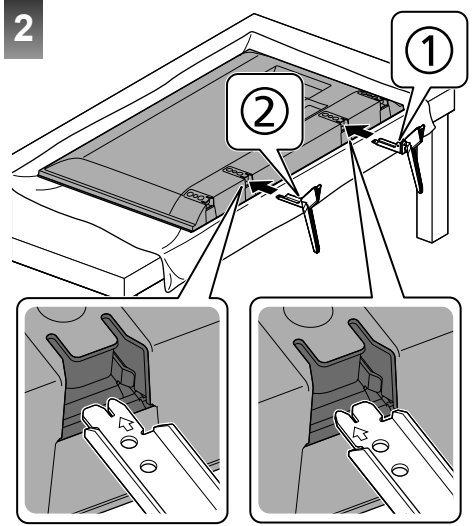
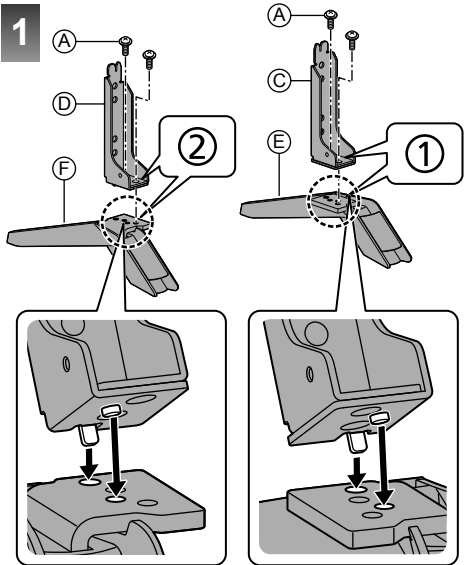
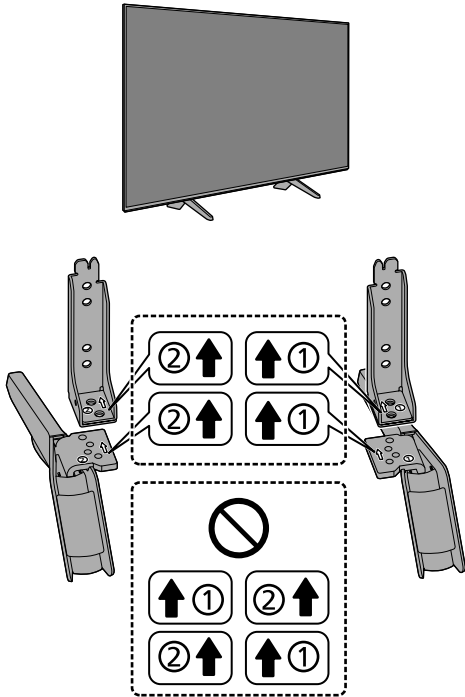
- Use a flat and firm table bigger than the TV.
- Do not hold the screen panel part.
- Make sure not to scratch or break the TV.

Assembling the pedestal

- Select a method to assemble the pedestal from the following styles.
- Do not assemble the pedestal by any method other than those specified below.

■ <Style1>





Removing the pedestal from the TV

Be sure to remove the pedestal in the following way when using the wall-hanging bracket or repacking the TV.

- 1 Put the TV onto a work table with the screen panel down on the clean and soft cloth.
- 2 Pull out the cover.
- 3 Remove the assembly screws **ⓑ** from the TV.
- 4 Pull out the pedestal from the TV.
- 5 Remove the assembly screws **Ⓐ** from the bracket

Warning

Do not disassemble or modify the pedestal.

- Otherwise, the TV may fall over and become damaged, and personal injury may result.

Caution

Do not use any pedestal other than that provided with this TV.

- Otherwise, the TV may fall over and become damaged, and personal injury may result.

Do not use the pedestal if it becomes warped or physically damaged.

- If you use the pedestal when it is physically damaged, personal injury may result. Contact your nearest Panasonic Dealer immediately.

During set-up, make sure that all screws are securely tightened.

- If sufficient care is not taken to ensure screws are properly tightened during assembly, the pedestal will not be strong enough to support the TV, and it might fall over and become damaged, and personal injury may result.

When removing the pedestal, do not remove the pedestal by any methods other than the specified procedure. (p. 9)

- Otherwise, the TV and/or pedestal may fall over and become damaged, and personal injury may result.

■ Moving the TV

Before moving the TV, disconnect all cables.

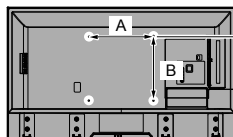
- At least two people are required to move the TV.

Installing the wall-hanging bracket

■ When using the wall-hanging bracket

Please contact a professional installer to purchase the recommended UL qualified wall-hanging bracket. For additional details, please refer to the wall-hanging bracket installation manual.

Back of the TV



Ⓐ 15.7" (400 mm)

Ⓑ 15.7" (400 mm)

Holes for wall-hanging bracket installation

(View from the side)

Diameter of screw: M6

55-inch model

Depth of screw

minimum: 8 mm

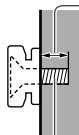
maximum: 16 mm

65-inch model

Depth of screw

minimum: 9 mm

maximum: 16 mm



Screws for attaching the TV to the wall-hanging bracket (not supplied with the TV)

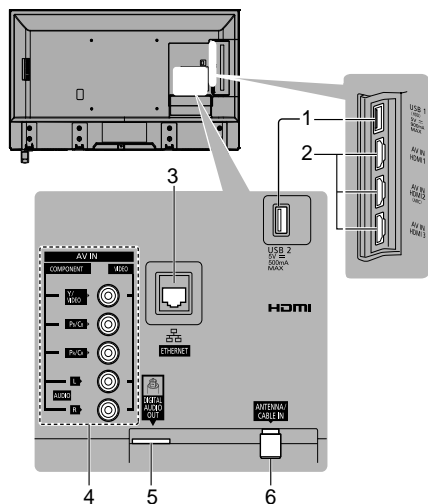
Warning

- Always be sure to ask a qualified technician to carry out set-up.
- Do not mount the unit directly below ceiling lights (such as spotlights, floodlights or halogen lights) that typically give off high heat. Doing so may warp or damage plastic cabinet parts.
- Take care when fixing wall brackets to the wall. Always ensure that there are no electrical cables or pipes in the wall before hanging bracket.
- To prevent fall and injury, remove the TV from its fixed wall position when it is no longer in use.
- Incorrect wall-hanging bracket or incorrect fitting may cause equipment to fall, resulting in injury and product damage.
- Panasonic disclaims liability for any damage or injury arising from incorrect wall-hanging bracket, incorrect fitting or otherwise failure to follow the above instructions.

Connections

- External equipment and cables shown are not supplied with this TV.
- Please ensure that the unit is disconnected from the wall out before attaching or disconnecting any cables.
- Check the terminal type and cable plugs are correct for connection.
- Use a fully wired HDMI compliant cable.
- Keep the TV away from electronic equipment (video equipment, etc.) or equipment with an infrared sensor, otherwise distortion of image / sound may occur or operation of other equipment may be affected.
- Please also read the manual of the equipment being connected.
- Please refer to eHELP for other connections (VIERA Link connection etc.).

Connection Panels

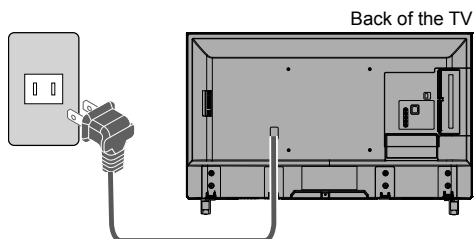


- 1 USB 1/2/3
⎓ This symbol indicates DC operation.
- 2 HDMI 1/2/3
- 3 Ethernet connector
- 4 Component/Video terminal
- 5 Digital audio out
- 6 Antenna cable in

VHF/UHF Antenna

- NTSC (National Television System Committee): Analog television system
- ATSC (Advanced Television Systems Committee): Digital TV Standards include digital high-definition television (HDTV), standard-definition television (SDTV), data broadcasting, multi-channel surround sound audio and interactive television.

Power cord connection



Power Cord

Connect after all other connections have been made.

Insert the power cord plug firmly into place.

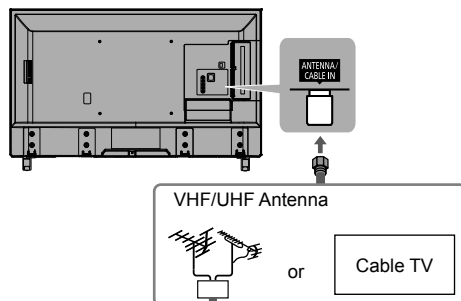
55-inch model

Important:

- Disconnect the power cord plug from the wall out first.
- The included power cord is for use with this unit only.

Antenna connection

Back of the TV



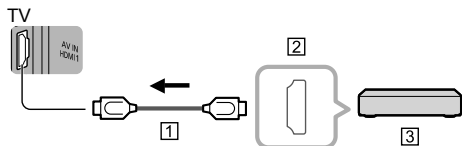
Cable

- You need to subscribe to a cable TV service to enjoy viewing their programming.
- A high-definition connection can be made using an HDMI or Component Video cable. (p. 13)

Note

- When using a Cable box, external equipment and video cables shown in this manual are not supplied with the TV.
- For additional assistance, visit us at: www.panasonic.ca/english/support

Connections for 4K / HDR compatible equipment



- HDMI cable
- HDMI AV OUT
- 4K / HDR compatible equipment

- To watch high-definition 4K more accurately or HDR content, connect the 4K / HDR compatible equipment to HDMI1 or 2 terminal.
- Connect the 4K compatible equipment to HDMI terminal using a 4K compatible cable and you can watch content in 4K format.
- The valid 4K format varies depending on the HDMI terminal. For information about the valid format, refer to [eHELP] (Search by Purpose > Watching TV > About 4K format).
- Supporting HDR does not increase the peak brightness capabilities of the TV panel.

HDMI auto setting (Setup menu)

Reproduces the image more precisely with the expanded color gamut when connecting the 4K compatible equipment. Select the mode depending on the equipment.

Mode1:

For better compatibility. Set to "Mode1" when the image or sound in HDMI input is not played properly.

Mode2:

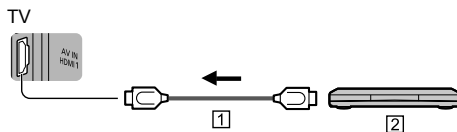
For the 4K compatible equipment that has the function to output the image precisely with the expanded color gamut

- To change the mode
 - Select the HDMI input mode connected to the equipment.
 - Display the menu and select "HDMI auto setting" (Setup menu).
- For information about the valid format, refer to eHELP.
(Search by Purpose > Watching TV > 4K compatible equipment).

AV cable connection

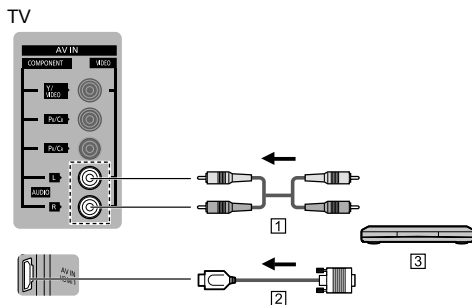
To use HDMI terminals (for best HD picture)

(Set-top-box / DVD recorder / Blu-ray Disc player / Camcorder / etc.)



- HDMI cable
- AV Equipment (e.g. Blu-ray Disc player)

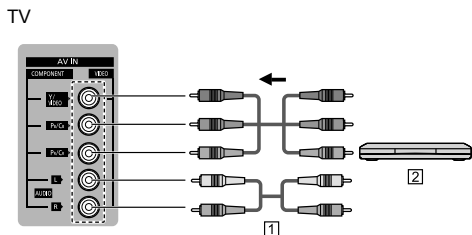
For devices with DVI output



- Audio cable
- HDMI-DVI Conversion cable
- AV Equipment (e.g. Blu-ray Disc player)

To use COMPONENT terminals

(DVD recorder / Blu-ray Disc player / etc.)



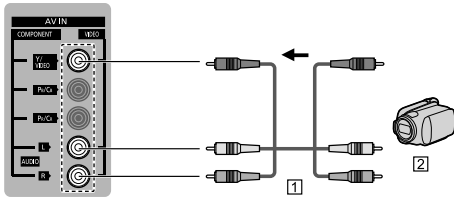
- Component cable
- AV Equipment (e.g. Blu-ray Disc player)

To use COMPOSITE terminals

(for SD picture)

(Camcorder / Game system / DVD recorder / etc.)

TV



① VIDEO cable

② AV Equipment (e.g. Camcorder)

Note

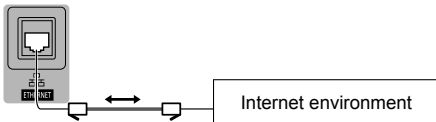
- In some cases, it is not possible to connect depending on the type of cable or equipment.
- The Green terminal is shared for both the COMPONENT and COMPOSITE (VIDEO IN) connection. When using COMPOSITE (VIDEO IN) connection, the Yellow connector (VIDEO) should be inserted into Green connection.

Network connection

- To enable the network service functions, you need to connect the TV to a broadband network environment. If you do not have any broadband network services, please consult your retailer for assistance.
- Prepare the Internet environment for wired connection or wireless connection.

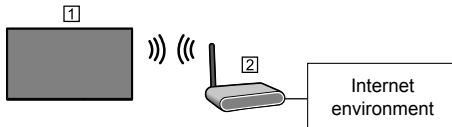
■ Wired connection

TV



① LAN cable (Shielded)

■ Wireless connection



① Built-in wireless LAN (Rear of the TV)

② Access point

■ About built-in wireless LAN

- To use the built-in wireless LAN, using an access point is recommended.
- To use the built-in wireless LAN in the access point mode, up to 7 devices are connectable. But the transfer rate will vary according to communication environment or connected equipments.
- Do not use the built-in wireless LAN to connect to any wireless network (SSID^{*1}) for which you do not have usage rights. Such networks may be listed as a result of searches. However, using them may be regarded as illegal access.
- Check that the Access point supports WPS^{*2}.
(If it does not support WPS, the encryption key of the Access point is required when configuring settings.)
- Follow the instructions on the Access point setup screen and configure the appropriate security settings.

For more details on setting of Access point, please refer to operating manual for the Access point.

- We recommend using 11n (5 GHz) for the wireless system between the built-in wireless LAN and Access point.

Communication is also possible with 11a, 11b, and 11g, but the communication speed may be slower.

- If the wireless system of the Access point is changed, devices that could connect by wireless LAN may no longer be able to connect.
- Data transmitted and received over radio waves may be intercepted and monitored.
- Keep the TV away from the following devices as much as possible:

Wireless LAN, microwaves, and other devices that use 2.4 GHz and 5 GHz signals. Otherwise, the TV failures such as malfunction may occur due to the radio wave interference.

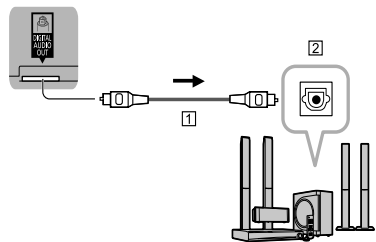
- When noises occur due to the static electricity, etc., the TV might stop operating for the protection of the devices. In this case, turn the TV Off with power On / Off switch, then turn it On again.

*1 SSID is a name for identifying a particular wireless network for transmission.

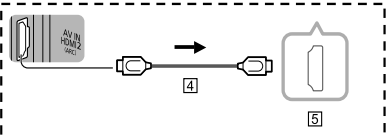
*2 WPS: Wi-Fi Protected Setu

Audio connection

TV



TV



① Optical cable

② DIGITAL AUDIO IN

③ e.g. Amplifier with speaker system

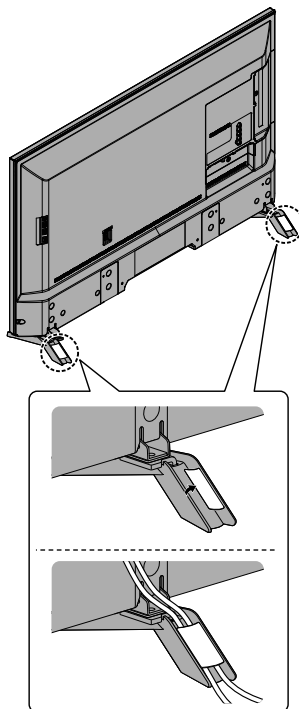
④ HDMI cable

⑤ HDMI OUT (ARC)

HDMI connection is available if connected audio equipment has ARC (Audio Return Channel) function.

Cable arrangement

■ Fixing the cables



- Fix cables as necessary.
- When using the optional accessory, follow the option's assembly manual to fix cables.

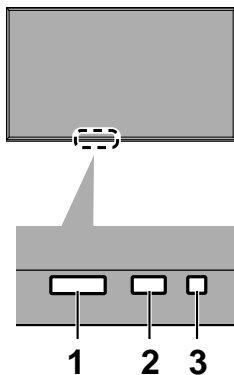
Identifying Controls

Note

- The TV consumes a small amount of electric energy even when turned off.
- Do not place any objects between the TV remote control sensor and remote control.

TV controls/indicators

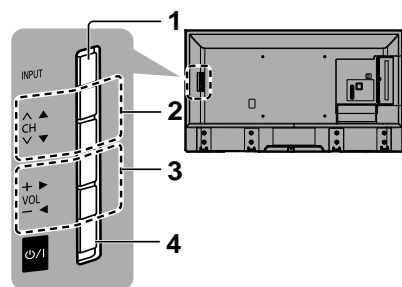
Front of the TV




- 1 Power indicator (On: red, Off: no light)
- 2 C.A.T.S. (Contrast Automatic Tracking System)
- 3 Remote Control sensor

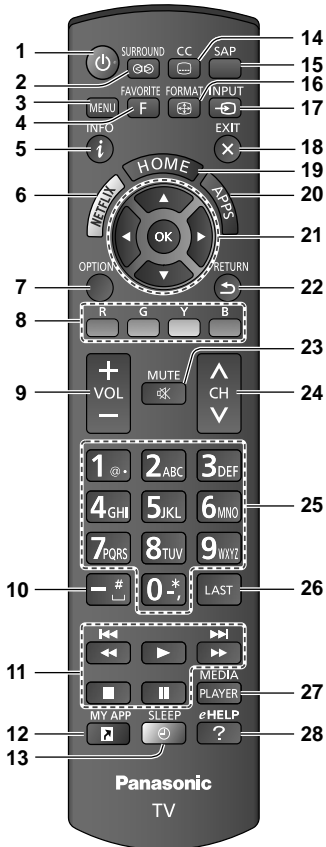
Maximum range for remote is 23 feet (7 m) from front of TV set

Back of the TV



- 1 Changes the input mode
Selects Menu and Submenu entries
(Press and hold down for MENU function)
 - 2 Selects channels in sequence
 - 3 Volume up/down
 - 4 **Mains power On / Off switch**
 - Use to switch the mains power.
 - To turn Off the apparatus completely, you must pull the mains plug out of the mains socket.
 - : Standby / On
- An image of the control panel is displayed on the screen while in use.

Remote Control



- 1 Switches TV On or Off (Standby)
- 2 Switches surround sound setting
- 3 Displays Menu
- 4 Operates the Favorite channel list function
- 5 Displays or removes the information banner
- 6 Accesses NETFLIX service directly
 - This service requires an Internet connection.
 - This service might be stopped or the conditions changed without notice.
- 7 Displays Option Menu for special functions (when available)
- 8 Colored buttons (used for various functions)
- 9 Volume up/down
- 10 Use for digital channels
- 11 External equipment operations

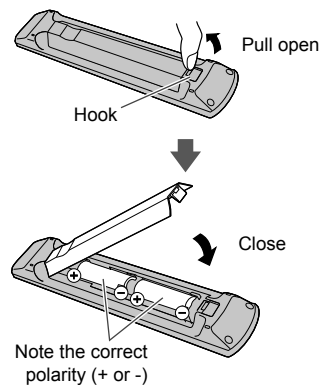
* Functions are switched depending on connected external equipment and operation.

Press to skip to previous/next chapter or track etc.

Press and hold to play fast rewind/forward.

- 12 MY APP (Assigns a favorite application)
 - Please refer to eHELP for more details.
(Search by Purpose > Using Home Screen > Apps > My App)
- 13 Set Sleep timer
- 14 Closed caption On/Off
- 15 Selects Secondary Audio Programming
- 16 Changes aspect ratio and zoom
- 17 Selects source to watch
- 18 Returns to Home
- 19 Displays Home
 - Please refer to eHELP for more details.
(Search by Purpose > Read first > Features)
- 20 Displays Apps (application) list
- 21 Selects/OK/Change
- 22 Go back to previous menu
- 23 Sound mute On/Off
- 24 Channel up/down, when viewing from ANT/Cable source
- 25 Numeric keypad to select any channel or press to enter alphanumeric input in menus
- 26 Switches to previously viewed channel or input
- 27 Media player (Displays devices selection screen)
 - Please refer to eHELP for more details.
(Search by Purpose > Media Player)
- 28 Displays eHELP (built-in manual) (p. 19)

Installing the remote's batteries



Caution

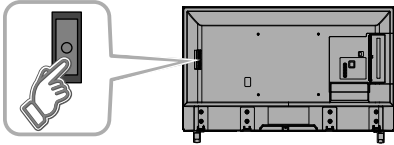
- Incorrect installation may cause battery leakage and corrosion, resulting in damage to the remote control.
 - Do not mix old and new batteries.
 - Do not mix different battery types (such as alkaline and manganese batteries).
 - Do not use rechargeable (Ni-Cd) batteries.
- Do not burn or break batteries.

First Time Setup

The first time setup screen is displayed only when the TV is turned on for the first time, after the power cord is inserted into a wall outlet.

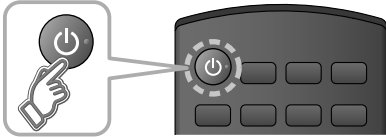
1 Turn the TV on with the POWER button

(TV)



or

(Remote)



2 Setup the following items

- **Select your language**
- **Select your viewing mode**
(Be sure to select [Home Use])

If you select the item other than [Home Use] by mistake, confirmation screen will be displayed.

To display the [Set viewing mode] screen again in order to select [Home Use], perform one of the following actions:

- Press and hold down the rear POWER button for at least five seconds.
- Unplug the power cord for 30 seconds and then plug it in again.

- **Configure Network connection**

Follow the instructions on screen to complete the Network connection.

- **ANT/Cable setup**

Set up based on how your TV programming is connected. Select "Yes" if you are connected to a Cable, Satellite or Fiber Optic box. Select "No" if you are connected to the Antenna/Cable In with a coaxial wire into the screw-on connector. In this case you will need to scan for channels that are available in your area.

- **Adjust the Clock**

Select the clock mode and adjust other settings.

When "Auto" is selected, clock will be set automatically according to Time zone and DST. The TV must be connected to the Internet to use this feature.

- **Complete first time setup**
Completion screen is displayed.

Displays the information bar at the bottom of the screen for several seconds.

To watch TV via a Cable box, Satellite receiver, or any other source (DVD, DVR, gaming device, etc.), press the INPUT button and select the appropriate input.

Using eHELP (Built-in Manual)

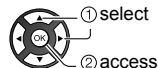
eHELP is a built-in manual that explains how to easily operate the TV's features. Press the eHELP button to access the guide.

1 Display eHELP



When you enter eHELP again after exiting, the confirmation screen is displayed while the TV is turned on. You can select "First page" or "Last viewed page".

2 Select the menu



- To access How to use



Keyword Search:

Search the content of eHELP in the keyword.

Search by Purpose:

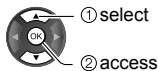
Search the content of eHELP for each item.

Support / FAQ:

Access the support information (FAQs, etc.).

3 Select the item

Example:



- To return to the previous menu / layer

RETURN




- To exit eHELP



- To scroll the description (if more than 1 page)
While the description is highlighted



- To open the reference screen ( →)



- To display the menu related to the description (only for some descriptions)



- To check the features of this TV
Search by Purpose > Read first > Features

Frequently Asked Questions (FAQ)

How can I confirm that my TV is working properly?

- The TV has a built-in Self Test. On the remote control, press MENU and scroll down and select HELP to access the TV SELF TEST. Run the test and follow the on screen instructions.

Why doesn't the remote control work?

- Check that the batteries are fresh, are of the same type and are installed with the correct polarity (+ & -).
- To operate other devices, such as changing channels when using Cable or Satellite boxes, or operating non-Panasonic Blu-ray players, use the remote supplied with the device.

Why is there no picture or just a blue, black or snowy screen being displayed?

- Ensure that the power cord is plugged in and the TV is turned on (front red LED light should be on, not blinking).
- Press the INPUT button on the remote to select the correct input source.
- Ensure all connections are correct and secure.
- When using external video source, such as a Cable/Satellite box or DVD player, ensure that the device is on and functioning correctly.
- Press MENU on the TV's remote control. If the menu is displayed, then the TV is working; recheck above steps.

The image or sound from external equipment are unusual when the equipment is connected via HDMI

- Set HDMI auto setting (Setup Menu) to Mode1. (p.13)

The display panel moves slightly and clattered sound is heard when it is pushed with a finger.

- There is a little gap around the panel to prevent damage to the panel. This is not a malfunction.

Why is the screen blank and the power indicator blinking?

- The TV has gone into shutdown mode to protect itself. Try unplugging it for a few minutes and connecting it again. If there was a temporary power surge on the AC line it may now be OK. If the blinking returns, visit www.panasonic.ca/english/support.

About the inquiry

- Please contact your local Panasonic dealer for assistance.

If you make an inquiry from a place where this TV is not present, we cannot answer about contents that require visual confirmation for connection, phenomenon, etc. of this TV itself.

Care and Cleaning

First, unplug the power cord plug from the wall outlet.

Display panel

The front of the display panel has been specially treated. Wipe the panel surface gently using only a cleaning cloth or a soft, lint-free cloth.

- If the surface is particularly dirty after cleaning up the dust, soak a soft, lint-free cloth in diluted, mild liquid dish soap (1 part mild liquid dish soap diluted by 100 times the amount of water), and then wring the cloth to remove excess liquid. Use this cloth to wipe the surface of the display panel, then wipe it evenly with a dry cloth of the same type until the surface is dry.
- Do not scratch or hit the surface of the panel with fingernails or other hard objects. Furthermore, avoid contact with volatile substances such as insect sprays, solvents, and thinner; otherwise, the quality of the surface may be adversely affected.

Cabinet

If the cabinet becomes dirty, wipe it with a soft, dry cloth.

- If the cabinet is particularly dirty, soak the cloth in diluted, mild liquid dish soap and then wring the cloth dry. Use this cloth to wipe the cabinet and then wipe it dry with a dry cloth.
- Do not allow any mild liquid dish soap to come into direct contact with the surface of the TV. If water droplets get inside the unit, operating problems may result.
- Avoid contact with volatile substances such as insect sprays, solvents, and thinner; otherwise, the quality of the cabinet surface may be adversely affected or the coating may peel off.
- Do not let articles made from rubber or PVC be in contact with the TV for long periods of time.

Pedestal

Cleaning

- Wipe the surfaces with a soft, dry cloth. If the unit is particularly dirty, clean it using a cloth soaked with water to which a small amount of mild liquid dish soap has been added and then wipe with a dry cloth. Do not use products such as solvents, thinner, or household wax for cleaning, as they can damage the surface coating.

Note: If using a chemically-treated cloth, follow the instructions supplied with the cloth.

- Do not attach sticky tape or labels, as they can make the surface of the pedestal dirty. Do not allow long-term contact with rubber, vinyl products, or the like. (Doing so will cause deterioration.)

Power cord plug

Wipe the plug with a dry cloth at regular intervals.

Note: Moisture and dust can lead to fire or electrical shock.

Specifications

Display Panel

Panel System

LCD panel with LED backlight

Refresh Rate

60 Hz

Screen size

55-inch model

55" class (54.6 inches measured diagonally)

65-inch model

65" class (64.5 inches measured diagonally)

W × H × Diagonal

55-inch model

(1,210 mm × 680 mm × 1,388 mm)

47.6" × 26.8" × 54.6"

65-inch model

(1,429 mm × 804 mm × 1,639mm)

56.3" × 31.7" × 64.5"

Number of pixels

3,840 × 2,160

Speaker Output

20 W [10 W + 10 W]

Channel Capability (Digital/Analog)

VHF/ UHF: 2 - 69, CATV: 1 - 135

Operating Conditions

Temperature: 0 °C - 35 °C (32 °F - 95 °F)

Humidity: 20 % - 80 % RH (non-condensing)

Connection Terminals

VIDEO IN

RCA PIN (VIDEO, AUDIO-L, AUDIO-R)

COMPONENT IN

RCA PIN (Y, PB/CB, PR/CR, AUDIO-L, AUDIO-R)

HDMI IN 1/2/3

Type A connector
(supports "HDMI Control 5" function)

USB 1/2

Type A connector

USB 1: DC 5 V, Max. 900 mA

[SuperSpeed USB (USB 3.0)]

USB 2: DC 5 V, Max. 500 mA

[Hi-Speed USB (USB 2.0)]

DIGITAL AUDIO OUT

PCM / Dolby Digital / Fiber Optic

OTHERS

ETHERNET (10BASE-T/100BASE-TX)

Dimensions

55-inch model

Including pedestal (W × H × D)

1,240 mm × 779 mm × 242 mm

48.8" × 30.7" × 9.5"

TV Set only (W × H × D)

1,240 mm × 722 mm × 78 mm

48.8" × 28.4" × 3.1"

65-inch model

Including pedestal (W × H × D)

1,460 mm × 910 mm × 345 mm

57.5" × 35.8" × 13.6"

TV Set only (W × H × D)

1,460 mm × 844 mm × 78 mm

57.5" × 33.2" × 3.1"

Mass

55-inch model

Including pedestal

17.5 kg (38.6 lb.) NET

TV Set only

17.0 kg (37.5 lb.) NET

65-inch model

Including pedestal

26.5 kg (58.5 lb.) NET

TV Set only

26.0 kg (57.3 lb.) NET

Wireless LAN

Standard Compliance and Frequency Range *

IEEE 802.11a/n: 5.15 GHz - 5.35 GHz,
5.47 GHz - 5.85 GHz

IEEE 802.11b/g/n: 2.400 GHz - 2.4835 GHz

Security

WPA2-PSK (TKIP/AES)

WPA-PSK (TKIP/AES)

WEP (64 bit/128 bit)

* The frequency and channel differ depending on the country.

* 802.11b/g/n CH1 ~ CH11 only use for United States and Canada.

Note

- Design and Specifications are subject to change without notice. Mass and Dimensions shown are approximate.
- For the information about the power source and power consumption refer to the nameplate on the rear enclosure.

Limited Warranty (for Canada)

Panasonic Canada Inc.
5770 Ambler Drive, Mississauga, Ontario L4W 2T3

PANASONIC PRODUCT – LIMITED WARRANTY

Panasonic Canada Inc. warrants this product to be free from defects in material and workmanship under normal use and for a period as stated below from the date of original purchase agrees to, at its option either (a) repair your product with new or refurbished parts, (b) replace it with a new or a refurbished equivalent value product, or (c) refund your purchase price. The decision to repair, replace or refund will be made by Panasonic Canada Inc.

TV (50" & over)	In-home service	One (1) year, parts (including panel) and labour.
TV (under 50")	Carry-in service	One (1) year, parts (including panel) and labour.

In-home Service will be carried out only to locations accessible by roads and within 50 km of an authorized Panasonic service facility.

In-home service requires clear, complete and easy access to the product by the Authorized Servicer and does not include removal or re-installation of an installed product. If removal is required to service the product, it will be at the discretion of the Servicer and in no event will Panasonic Canada Inc. or the Servicer be liable for any special, indirect or consequential damages.

This warranty is given only to the original purchaser, or the person for whom it was purchased as a gift, of a Panasonic brand product mentioned above sold by an authorized Panasonic dealer in Canada and purchased and used in Canada, which product was not sold "as is", and which product was delivered to you in new condition in the original packaging.

IN ORDER TO BE ELIGIBLE TO RECEIVE WARRANTY SERVICE HEREUNDER, A PURCHASE RECEIPT OR OTHER PROOF OF DATE OF ORIGINAL PURCHASE, SHOWING AMOUNT PAID AND PLACE OF PURCHASE IS REQUIRED

LIMITATIONS AND EXCLUSIONS

This warranty ONLY COVERS failures due to defects in materials or workmanship, and DOES NOT COVER normal wear and tear or cosmetic damage. The warranty ALSO DOES NOT COVER damages which occurred in shipment, or failures which are caused by products not supplied by Panasonic Canada Inc., or failures which result from accidents, misuse, abuse, neglect, mishandling, misapplication, alteration, faulty installation, set-up adjustments, misadjustment of consumer controls, improper maintenance, power line surge, lightning damage, modification, introduction of sand, humidity or liquids, commercial use such as hotel, office, restaurant, or other business or rental use of the product, or service by anyone other than a Authorized Servicer, or damage that is attributable to acts of God. Dry cell batteries are also excluded from coverage under this warranty.

THIS EXPRESS, LIMITED WARRANTY IS IN LIEU OF ALL OTHER WARRANTIES, EXPRESS OR IMPLIED, INCLUDING ANY IMPLIED WARRANTIES OF MERCHANTABILITY AND FITNESS FOR A PARTICULAR PURPOSE. IN NO EVENT WILL PANASONIC CANADA INC. BE LIABLE FOR ANY SPECIAL, INDIRECT OR CONSEQUENTIAL DAMAGES RESULTING FROM THE USE OF THIS PRODUCT OR ARISING OUT OF ANY BREACH OF ANY EXPRESS OR IMPLIED WARRANTY.
(As examples, this warranty excludes damages for lost time, travel to and from the Authorized Servicer, loss of or damage to media or images, data or other memory or recorded content. This list of items is not exhaustive, but for illustration only.)

In certain instances, some jurisdictions do not allow the exclusion or limitation of incidental or consequential damages, or the exclusion of implied warranties, so the above limitations and exclusions may not be applicable. This warranty gives you specific legal rights and you may have other rights which vary depending on your province or territory.

WARRANTY SERVICE

For product operation, repairs and information assistance, please visit our Support page on:

www.panasonic.ca/english/support

IF YOU SHIP THE PRODUCT TO A SERVICENTRE

Carefully pack and send prepaid, adequately insured and preferably in the original carton.
Include details of the defect claimed, and proof of date of original purchase.



Manuel d'utilisation

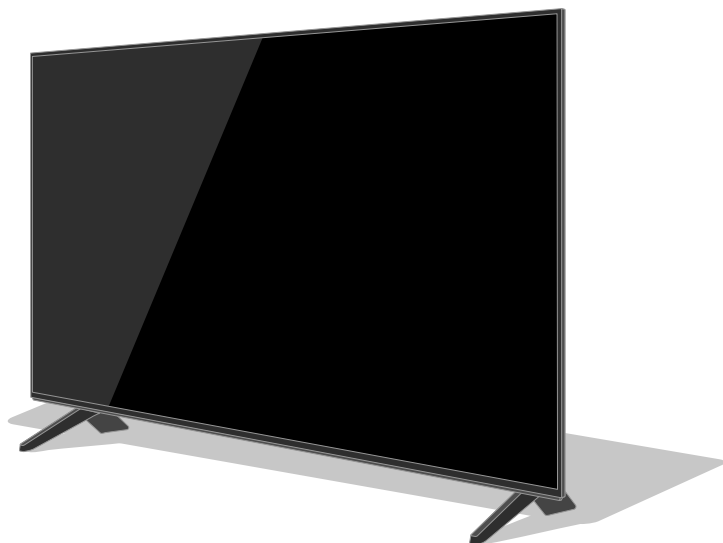
Téléviseur DEL

Français

Modèle

TC-55FX600C

TC-65FX600C



VIERA

eHELP

Pour des instructions plus détaillées, reportez-vous à [Aide électronique] (manuel d'utilisation intégré).

- Comment utiliser [Aide électronique] ➔ (p. 19)

Nous vous remercions d'avoir arrêté votre choix sur cet appareil Panasonic.

Avant d'utiliser l'appareil, lisez attentivement le présent manuel et le conservez pour référence ultérieure.

Veuillez lire attentivement la section "Mesures de sécurité" de ces instructions avant utilisation.

Les images montrées dans le présent manuel n'y sont qu'à des fins d'illustration.



Les illustrations du modèle TC-55FX600C sont utilisées dans ce manuel, sauf en cas de mention contraire.

Les illustrations peuvent varier selon les modèles ou les pays.

Table des matières

À lire attentivement

Mesures de sécurité	4
Accessoires/Accessoires en option	8
Installation du téléviseur	8
Installation du support de montage mural	11
Connexions	12
Emplacement des commandes	16
Réglage initial	18
Utilisation de l'aide électronique (eHELP) (manuel intégré)	19
Foire aux questions (FAQ)	20
Entretien et nettoyage	21
Spécifications	22
Garantie limitée (pour le Canada)	23

Cet appareil intègre les logiciels suivants :

- (1) le logiciel mis au point indépendamment par ou pour Panasonic Corporation,
- (2) le logiciel appartenant à des tiers ayant émis une licence à Panasonic Corporation,
- (3) Firefox OS est optimisé par Mozilla,
- (4) le logiciel utilisé sous licence en vertu de la Licence publique générale GNU GENERAL PUBLIC LICENSE, Version 2.0 (GPL V2.0),
- (5) le logiciel utilisé sous licence GNU LESSER GENERAL PUBLIC LICENSE, Version 2.1 (LGPL V2.1) et/ou,
- (6) un logiciel libre autre que celui utilisé sous licence de GPL V2.0 et/ou LGPL V2.1.

Veillez consulter le menu "À propos de Firefox OS" concernant le logiciel catégorisé comme (3).

Les logiciels catégorisés comme (4) et (6) sont distribués dans qu'ils puissent être utiles, mais SANS AUCUNE GARANTIE, sans même la garantie implicite de COMMERCIALISATION ou D'ADÉQUATION À UN USAGE PARTICULIER. Reportez-vous aux modalités et conditions détaillées qui s'y rapportent dans le menu "Licence du logiciel" de ce produit.

Au moins trois (3) ans après la livraison de ce produit, Panasonic fournira à tout tiers qui communiquera avec nous à l'adresse fournie ci-dessous, contre des frais ne dépassant pas notre coût de distribution du code source, une copie complète lisible par machine du code source correspondant couvert par GPL V2.0, LGPL V2.1 ou les autres licences, avec obligation d'en faire de même, ainsi que les avis de droits d'auteur respectifs s'y rapportant.

Information de contact : cdrequest@unipf.jp

Le code source et l'avis de copyright sont également disponibles gratuitement sur notre site Web ci-dessous.

<http://www.unipf.jp/dl/DTV18U/>

"PlayReady" est une marque de commerce enregistrée par Microsoft. Il faut savoir ce qui suit.

(a) Ce produit comporte des technologies protégées par des droits de propriété détenus par Microsoft. L'utilisation ou la distribution d'une telle technologie non intégrée à ce produit est interdite à moins d'avoir obtenu une licence d'utilisation de Microsoft.

(b) Les propriétaires de contenu utilisent la technologie d'accès PlayReady™ de Microsoft dans le but de protéger leur propriété intellectuelle y compris le contenu couvert par le droit d'auteur. Cet appareil utilise la technologie PlayReady pour donner accès à un contenu protégé par PlayReady et(ou) un contenu protégé par WMDRM. Dans le cas où l'appareil ne réussirait pas à appliquer adéquatement les restrictions sur l'utilisation du contenu, les propriétaires de contenu pourraient révoquer à Microsoft l'aptitude d'accéder à un contenu protégé par PlayReady. Une telle révocation ne devrait toutefois pas avoir d'effet sur l'accès à du contenu non protégé ou protégé par d'autres technologies de protection.

Les propriétaires de contenu pourraient vous demander de mettre PlayReady à niveau pour avoir accès à leur contenu.

Si vous refusez la mise à niveau, vous ne serez pas en mesure d'accéder au contenu qui exige une mise à niveau.

VIERA Link™ et HDAVI Control™ sont des marques de commerce de Panasonic Corporation.

Les termes HDMI et High-Definition Multimedia Interface, de même que le logo HDMI, sont des marques de commerce ou des marques déposées de HDMI Licensing Administrator, Inc. aux États-Unis et dans d'autres pays.

Fabriqué sous licence de Dolby Laboratories. Dolby, Dolby Audio et le symbole double-D sont des marques de commerce de Dolby Laboratories.

DLNA®, le logo DLNA et DLNA CERTIFIED™ sont des marques de commerce, des marques de service ou des marques de certification de la Digital Living Network Alliance.

x.v.Color™ est une marque de commerce.

Parole fournie par Dragon

2002-2018 Nuance Communications, Inc. Tous droits réservés.

Firefox® OS est une marque de commerce déposée de Mozilla Foundation.

Ce produit est autorisé en vertu de la licence d'utilisation du portefeuille de brevets AVC pour l'utilisation non commerciale à des fins personnelles par un consommateur en vue de (i) coder une vidéo conformément à la norme AVC ("AVC Video") et(ou) (ii) décoder une vidéo AVC codée par un consommateur dans le cadre d'une activité non commerciale à des fins personnelles et(ou) obtenue d'un fournisseur de vidéos autorisé à fournir des vidéos AVC. Aucune licence n'est consentie pour toute autre utilisation ni ne doit être considérée comme autorisant toute autre utilisation. Des renseignements additionnels peuvent être obtenus auprès de MPEG LA, LLC. Allez à <http://www.mpegla.com>.

Panasonic ne garantit pas le fonctionnement et la performance d'équipement périphérique en provenance d'autres fabricants et décline toute obligation ou tout dommage causé par l'utilisation de tel équipement périphérique.

Usage des informations client

Lors de l'utilisation de la fonction de connexion Internet de ce téléviseur, après avoir accepté les conditions de service / la politique de confidentialité de Panasonic (ci-après dénommées conditions d'utilisation, etc.), les informations client relatives à l'utilisation de cet appareil peuvent être collectées et utilisées conformément aux conditions d'utilisation, etc.

Pour plus de détails sur les conditions de service / la politique de confidentialité, reportez-vous à [Aide électronique] (Recherche par objectif > Réseau > Réglages du réseau > Conditions d'utilisation et réglages).

Les informations personnelles du client peuvent être enregistrées sur ce téléviseur par l'organisme de radiodiffusion ou le fournisseur d'applications. Avant toute réparation, transmission ou mise au rebut de ce téléviseur, effacez toutes les informations enregistrées sur ce téléviseur selon la procédure suivante.

[Aide électronique] (Recherche par objectif > Tous les réglages > Réglage > Réglage du système > Valeurs par défaut)

Les informations du client peuvent être collectées par le fournisseur via une application fournie par des tiers sur ce téléviseur ou ce site Web. Veuillez confirmer à l'avance les conditions d'utilisation du fournisseur.

- Panasonic ne sera pas tenu responsable de la collecte ou de l'utilisation des informations client via une application fournie par un tiers sur ce téléviseur ou ce site Web.
- Lorsque vous entrez votre numéro de carte de crédit, votre nom, etc., portez une attention particulière à la fiabilité du fournisseur.
- Les informations enregistrées peuvent être enregistrées sur le serveur, etc. du fournisseur. Avant toute réparation, transmission ou mise au rebut de ce téléviseur, assurez-vous d'effacer les informations selon les conditions d'utilisation, etc. du fournisseur.

Mesures de sécurité



MISES EN GARDE
RISQUE DE CHOC ÉLECTRIQUE
NE PAS OUVRIR



AVERTISSEMENT : Pour réduire les risques de choc électrique, ne pas retirer le couvercle ni le panneau arrière. Cet appareil ne contient aucune pièce qui puisse être réparée par l'utilisateur. L'entretien doit être effectué par du personnel qualifié.



Le symbole de l'éclair, inscrit dans un triangle équilatéral, a pour objet d'appeler l'attention de l'utilisateur sur la présence, à l'intérieur du produit, de pièces non isolées portées à une "tension dangereuse" qui peut avoir une amplitude suffisante pour provoquer un choc électrique.



Le symbole du point d'exclamation, inscrit dans un triangle équilatéral, a pour objet d'appeler l'attention de l'utilisateur sur la présence, dans la documentation accompagnant le produit, d'importantes instructions concernant son mode opératoire et son entretien.



Ce marquage indique que le produit fonctionne avec une tension CA.



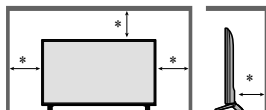
Ce marquage indique un appareil électrique de classe II ou à double isolation, ce qui signifie que le produit n'a pas besoin d'une liaison électrique de sécurité à la terre (mise à la terre).

Conseils pour l'installateur du système de câblodistribution

Il est recommandé de consulter le Code canadien de l'électricité en ce qui a trait à la mise à la terre du fil de câblodistribution. Ce code spécifie que le fil doit être relié au système de mise à la terre de l'édifice, le plus près possible du point d'entrée.

Ventilation sûre

Les fentes et les ouvertures situées à l'arrière ou en dessous du téléviseur sont prévues pour assurer sa ventilation, et garantir ainsi son bon fonctionnement en évitant toute surchauffe. Ces ouvertures ne doivent pas être recouvertes ou obstruées. Laissez un espace libre d'au moins 10 cm (4 po) tout autour du téléviseur. Ainsi, ne posez jamais le téléviseur sur un lit, un canapé, un tapis ou toute autre surface qui risquerait de gêner la ventilation. Ce téléviseur ne doit pas être encastré dans un meuble, à moins de prévoir une ventilation adéquate.

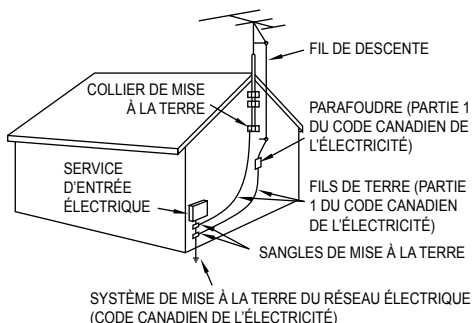


* 10 cm (4 po)

Précautions de sécurité importantes (Téléviseur)

- 1) Lisez ces instructions.
- 2) Conservez ces instructions en lieu sûr.
- 3) Respectez toutes les consignes de sécurité.
- 4) Suivez toutes les instructions fournies.
- 5) N'utilisez pas ce téléviseur à proximité d'une source d'eau.
- 6) Ne nettoyez cet appareil qu'avec un chiffon sec.
- 7) N'obstruez pas les événements de ventilation de l'appareil. Installez-le en respectant les instructions du fabricant.
- 8) N'installez pas l'appareil près d'une source de chaleur, par exemple un radiateur, un réchaud ou tout autre appareil (y compris des amplificateurs) produisant de la chaleur.
- 9) N'invalidez pas les caractéristiques de sécurité de la fiche polarisée ou avec mise à la terre. Une fiche polarisée possède deux lames dont une est plus large que l'autre. Une fiche avec mise à la terre possède deux lames plus une troisième lame pour la mise à la terre. La lame large ou la lame de mise à la terre sont conçues pour des raisons de sécurité. Si la fiche fournie ne peut pas être branchée dans votre prise secteur, consultez un électricien pour faire remplacer la prise.
- 10) Faites en sorte que personne ne puisse marcher sur le cordon d'alimentation ou le plier, tout particulièrement à ses deux extrémités.
- 11) Utilisez uniquement les fixations/accessoires prévus par le fabricant.
- 12) N'utilisez l'appareil qu'avec un chariot, meuble, trépied, support ou table recommandé par le fabricant ou vendu avec l'appareil. Lors de l'utilisation d'un chariot, déplacez-le avec le plus grand soin afin d'éviter tout dommage.
- 13) Débranchez l'appareil pendant les orages ou lorsque vous ne comptez pas vous en servir pendant une période prolongée.
- 14) Pour toute intervention, adressez-vous à un technicien qualifié. Une intervention est nécessaire lorsque l'appareil a été endommagé, par exemple en cas de rupture du cordon secteur ou de sa fiche, lorsque du liquide s'est répandu sur le téléviseur ou qu'un objet est tombé à l'intérieur, lorsque l'appareil a été exposé à la pluie ou à l'humidité, quand il ne fonctionne pas normalement ou quand il est tombé.
- 15) N'alimentez l'appareil que par une source électrique conforme aux indications apposées sur l'étiquette de l'appareil. Si vous avez des doutes sur les caractéristiques de votre courant domestique, consultez votre détaillant de télévision ou votre fournisseur d'électricité.
- 16) Respectez toutes les instructions et consignes de sécurité figurant sur le téléviseur.
- 17) N'introduisez aucun objet par les ouvertures du téléviseur ; il pourrait entrer en contact avec des composants sous tension élevée ou provoquer un court-circuit susceptible d'engendrer un incendie ou un choc électrique. Ne répandez jamais de liquide sur le téléviseur.
- 18) Si une antenne extérieure est reliée à ce téléviseur, assurez-vous que celle-ci a été mise à la terre afin de protéger l'appareil contre les surtensions et l'accumulation d'électricité statique. La partie 1 du Code canadien de l'électricité contient des informations concernant la mise à la terre des mâts d'antenne et de leurs structures, celle du fil de descente, le calibre du fil de descente requis et les exigences concernant la tige de la mise à la terre.





19) Un système d'antenne extérieur ne doit jamais se situer à proximité de lignes électriques aériennes ou de tout autre circuit d'éclairage ou circuit électrique, ni à un endroit où il risque d'en être trop près. Lors de l'installation d'un système d'antenne extérieur, prenez bien soin de ne pas toucher ces lignes ou ces circuits électriques, car le moindre contact peut être fatal.

20) Débranchez le téléviseur de la prise murale et demandez les services d'un technicien qualifié dans les cas suivants :

- Quand le cordon d'alimentation ou sa fiche est endommagé ou usé.
- Si du liquide a été renversé sur le téléviseur.
- Si le téléviseur a été en contact avec la pluie ou l'eau.
- Si le téléviseur ne fonctionne pas normalement alors que vous respectez son manuel d'utilisation.

Réglez uniquement les paramètres décrits dans le manuel d'utilisation, car des réglages incorrects d'autres paramètres risquent de provoquer des dommages et de demander davantage de travail à un technicien qualifié pour une remise en état du téléviseur.

- Si le téléviseur est tombé ou si son coffret a été endommagé.
 - Lorsque le téléviseur subit un changement notable au niveau des performances (cela indique qu'il faut le réparer).
- 21) Lorsqu'il faut remplacer des pièces, assurez-vous que le technicien utilise les pièces préconisées par le fabricant, avec les mêmes caractéristiques que celles d'origine. Un remplacement non conforme risque de causer un incendie, un choc électrique ou tout autre dommage.

22) AVERTISSEMENT:

POUR RÉDUIRE LES RISQUES D'INCENDIE ET DE CHOC ÉLECTRIQUE, N'EXPOSEZ PAS CET APPAREIL À L'HUMIDITÉ, À LA PLUIE ET AUX ÉCLABOUSSURES.

NE PLACEZ AUCUN RÉCIPIENT CONTENANT DE L'EAU (VASE DE FLEUR, TASSE, BOUTEILLE DE PRODUIT DE BEAUTÉ, ETC.) SUR L'APPAREIL (OU SUR UNE ÉTAGÈRE LE DOMINANT).

23) AVERTISSEMENT :

Ne placez pas un téléviseur dans un endroit instable. Un téléviseur peut chuter et provoquer de graves blessures corporelles, voire un décès. De nombreuses blessures, en particulier chez les enfants, peuvent être évitées en prenant des précautions simples, par exemple :

- Utiliser les coffrets ou supports recommandés par le fabricant du téléviseur.
 - N'utiliser que des meubles qui peuvent supporter le téléviseur en toute sécurité.
 - Veiller à ce que le téléviseur ne dépasse pas du bord du meuble de support.
 - Ne pas placer le téléviseur sur des meubles hauts (par exemple, placards ou bibliothèques) sans ancrer les meubles et le téléviseur sur un support approprié.
 - Ne pas placer le téléviseur sur du tissu ou autres matériaux placés entre le téléviseur et le meuble de support.
 - Expliquer aux enfants qu'il est dangereux de grimper sur les meubles pour atteindre le téléviseur ou ses commandes.
- Si vous conservez et déplacez votre téléviseur existant, il convient de respecter les mêmes consignes que ci-dessus.

24) AVERTISSEMENT:

LES PETITES PIÈCES PEUVENT PRÉSENTER DES DANGERS D'ÉTOUFFEMENT SI ELLES SONT AVALÉES PAR ACCIDENT. GARDEZ LES PETITES PIÈCES HORS DE LA PORTÉE DES ENFANTS.

JETEZ LES PETITES PIÈCES INUTILES, AINSI QUE LES AUTRES OBJETS INUTILES, Y COMPRIS LES MATÉRIEAUX D'EMBALLAGE ET LES SACS/FEUILLES EN PLASTIQUE, AFIN D'ÉVITER QUE DES ENFANTS JOUENT AVEC, CRÉANT UN RISQUE POTENTIEL DE SUFFOCATION.

25) AVERTISSEMENT:

Pour prévenir un incendie, gardez les bougies ou toute autre source de flamme nue loin de l'appareil en tout temps.



26) AVERTISSEMENT:

Ne pas placer ce téléviseur dans des institutions médicales ou des lieux avec des appareils médicaux.

Les ondes radio de ce téléviseur peuvent interférer avec les appareils médicaux et provoquer des accidents dus à une anomalie.

27) AVERTISSEMENT:

N'utilisez pas ce téléviseur à proximité de dispositifs de contrôle automatique tels que portes automatiques ou alarmes d'incendie.

Les ondes radio émises par le téléviseur pourraient interférer avec le fonctionnement de ces dispositifs, ce qui pourrait entraîner des accidents.

28) AVERTISSEMENT:

Placez le téléviseur à une distance d'au moins 50 cm (20 po) d'un régulateur cardiaque.

Les ondes radio émises par le téléviseur pourraient interférer avec le fonctionnement d'un tel dispositif.

29) ATTENTION :

L'interrupteur de cet appareil ne coupera pas entièrement l'alimentation de la prise secteur. Le cordon d'alimentation étant le dispositif principal de déconnexion de l'appareil, il sera nécessaire de le débrancher de la prise secteur afin de couper toute l'alimentation.

Il convient donc de s'assurer d'installer l'appareil de manière à ce que le cordon d'alimentation puisse être facilement débranché de la prise secteur en cas d'accident. Pour éviter tout risque d'incendie, débranchez également le cordon d'alimentation de la prise secteur dans le cas d'une utilisation prolongée (par exemple, lorsqu'en vacances.)

30) ATTENTION :

POUR ÉVITER LES CHOCS ÉLECTRIQUES, N'UTILISEZ PAS CETTE FICHE POLARISÉE DANS UNE PRISE OÙ ELLE NE PEUT ÊTRE INSÉRÉE COMPLÈTEMENT.

31) ATTENTION :

UNE UTILISATION AVEC UN AUTRE SUPPORT QUE CELUI FOURNI OU RECOMMANDÉ PEUT RENDRE L'ENSEMBLE INSTABLE ET ÊTRE CAUSE DE BLESSURES CORPORELLES.

32) ATTENTION :

IL EXISTE UN RISQUE D'EXPLOSION EN CAS D'UTILISATION DE PILES NON CONFORMES. NE REMPLACEZ LES PILES QUE PAR DES PILES IDENTIQUES OU DE TYPE ÉQUIVALENT.

33) ATTENTION :

N'installez pas l'appareil dans un endroit où peuvent pénétrer des insectes (vermines). Ces derniers peuvent entrer dans le téléviseur et s'y retrouver pris au piège, ce qui peut causer des dommages internes ou leur visibilité à travers l'écran.

34) ATTENTION :

N'installez pas l'appareil dans un endroit où il peut être exposé à la poussière ou à la fumée. La poussière ou la fumée peuvent pénétrer à travers les événements du téléviseur et s'incruster à l'intérieur, ce qui peut provoquer une surchauffe qui peut entraîner un dysfonctionnement ou une détérioration de la qualité de l'image.

DÉCLARATION IC

Cet appareil est conforme aux CNR d'Industrie Canada applicables aux appareils radio exempts de licence. Son fonctionnement est sujet aux deux conditions suivantes :

- 1) Cet appareil ne peut être cause d'interférences et
- 2) doit pouvoir accepter toute interférence, incluant toute interférence pouvant perturber son fonctionnement.

Avertissement concernant l'exposition au rayonnement RF de la FCC et de Industrie Canada (IC) :

- **Ce téléviseur comporte deux émetteurs intégrés : adaptateur sans fil avec ID FCC : NKR-P75B / IC ID : 4441A-P75B.**
- **Ces émetteurs sont conformes aux limites d'exposition aux rayonnements de la FCC et IC établies pour un environnement non contrôlé à des fins d'utilisation mobile à une distance d'au moins 20 cm (8 po) entre les émetteurs et le corps de l'utilisateur (sauf les extrémités : mains, poignets et pieds) dans les modes d'opération sans fil.**
- **Les autres émetteurs sans fil de tierces parties ne doivent pas être utilisés, car ils n'ont pas été évalués à des fins d'utilisation avec ce téléviseur et pourraient ne pas être conformes aux normes d'exposition au rayonnement RF.**

<Seulement pour adaptateur sans fil à condition que la transmission se fasse dans les fréquences entre 5,15 et 5,25 GHz>

Ce produit est destiné uniquement à une utilisation à l'intérieur à cause de son fonctionnement dans les fréquences entre 5,15 et 5,25 GHz.

IC exige que ce produit soit utilisé à l'intérieur pour la gamme de fréquences 5,15 à 5,25 GHz afin de réduire le risque potentiel d'interférences dangereuses aux systèmes mobiles par satellite sur canal commun. Les radars puissants sont attribués comme principaux utilisateurs des fréquences 5,25 à 5,35 GHz et 5,65 à 5,85 GHz. Ces stations radars peuvent causer des interférences avec le produit et/ou l'endommager.



AVERTISSEMENT

Les écrans plats ne sont pas toujours installés sur des supports de montage appropriés ou selon les recommandations du fabricant. Les écrans plats qui sont installés sur des commodes, bibliothèques, étagères, bureaux, haut-parleurs, coffres ou chariots peuvent tomber et causer des blessures graves, voire mortelles.

L'association des consommateurs de produits électroniques (CEA), dont Panasonic est membre, est dévouée à rendre le divertissement au foyer agréable et sécuritaire. Afin de prévenir les risques d'accident, suivez les conseils de sécurité suivants :

AVIS DE SÉCURITÉ CEA POUR LES ENFANTS

L'INDUSTRIE DE L'ÉLECTRONIQUE GRAND PUBLIC EST SOUCIEUSE DE VOTRE SÉCURITÉ

- Les fabricants, les détaillants et l'industrie de l'électronique grand public dans son ensemble sont déterminés à faire en sorte que le divertissement domestique soit sûr et plaisant.
- Alors que vous vous divertissez devant la télévision, n'oubliez pas que tous les téléviseurs, neufs comme anciens, doivent être : soit positionnés sur un socle approprié, soit installés selon les recommandations spécifiques du fabricant. Les téléviseurs placés de façon non appropriée sur des commodes, des bibliothèques, des étagères, des bureaux, des haut-parleurs, des armoires, des chariots, etc. peuvent tomber et entraîner des blessures.

RESTER À L'ÉCOUTE DE LA SÉCURITÉ

- Respectez TOUJOURS les recommandations du fabricant pour une installation sûre de votre téléviseur.
- Lisez et suivez TOUJOURS toutes les instructions données pour un bon usage de votre téléviseur.
- Ne permettez JAMAIS aux enfants de grimper ou de jouer sur le téléviseur ou le meuble sur lequel le téléviseur est placé.
- Ne placez JAMAIS le téléviseur sur un meuble pouvant facilement être utilisé comme marche-pied, telle qu'une commode par exemple.
- Installez TOUJOURS le téléviseur à un endroit où il ne peut pas être poussé, tiré ou renversé.
- Faites TOUJOURS passer les prises et câbles connectés au téléviseur à un endroit où ils ne pourront pas faire trébucher quelqu'un ou encore où ils ne pourront pas être tirés ou attrapés.

FIXATION DU TÉLÉVISEUR SUR LE MUR OU LE PLAFOND

- Contactez TOUJOURS votre revendeur pour une installation professionnelle au moindre doute quant à votre capacité à fixer le téléviseur de manière sûre.
- Utilisez TOUJOURS un support recommandé par le fabricant du téléviseur et dont la sécurité a été certifiée par un laboratoire indépendant (tel que UL, CSA, ETL).
- Suivez TOUJOURS toutes les instructions fournies par les fabricants du téléviseur et du support.
- Assurez-vous TOUJOURS que le mur ou le plafond sur lequel vous fixez le téléviseur est approprié. Certains supports ne sont pas conçus pour être fixés aux murs ou aux plafonds ayant une armature en acier ou construits avec des parpaings. En cas de doute, contactez un installateur professionnel.
- Les téléviseurs peuvent être lourds. Deux personnes minimum sont nécessaires pour la fixation au mur ou au plafond.

DÉPLACER UN ANCIEN TÉLÉVISEUR DANS VOTRE MAISON

- Nombreuses sont les personnes déplaçant leur ancien téléviseur CRT dans une autre pièce de la maison après l'achat d'un téléviseur à écran plat. Une attention particulière doit être portée au nouvel emplacement d'un ancien téléviseur CRT.
- Placez TOUJOURS votre ancien téléviseur CRT sur un meuble solide et adapté à la taille et au poids du téléviseur.
- Ne placez JAMAIS votre ancien téléviseur CRT sur une commode dont les enfants sont susceptibles d'utiliser les tiroirs pour grimper.
- Assurez-vous TOUJOURS que votre ancien téléviseur CRT ne dépasse pas le bord de votre meuble.

Panasonic recommande qu'un technicien qualifié procède à toute installation murale. Pour plus de détails, reportez-vous à la page 26.



L'American Academy of Pediatrics (Académie américaine de pédiatrie) recommande de ne pas exposer les enfants de moins de deux ans aux médias. Pour plus de renseignements, consultez www.aap.org.

Les applications Internet sont fournies par leurs fournisseurs de services respectifs et peuvent être modifiées, interrompues ou supprimées à tout moment. Panasonic décline toute responsabilité et ne donne aucune garantie quant à la disponibilité ou à la continuité des services.

Accessoires/ Accessoires en option

Accessoires

- Vérifiez que tous les éléments ci-dessous sont bien inclus avec votre téléviseur en cochant leur case

Télécommande

- N2QAYB001131



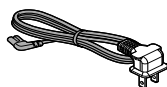
Piles (2)

- Format AA



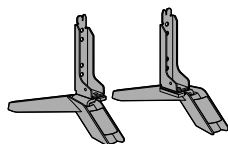
Cordon d'alimentation

55-inch model



Piédestal

- Montage (p. 9)



Manuel d'utilisation

Guide de mise en route rapide

Feuille de sécurité des enfants

Accessoires optionnels

Communiquez avec un détaillant Panasonic pour vous procurer les accessoires en option recommandés. Pour de plus amples renseignements, reportez-vous à la notice d'installation des accessoires.

- Les renseignements sur le produit (numéro de modèle et date de mise en marché) sont sous réserve de modifications.
- Pour plus de renseignements <http://www.panasonic.com>

Installation du téléviseur

Montage/Retrait du piédestal

(A) Vis de montage (4)



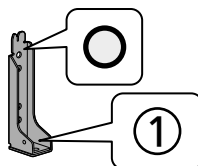
M5 x 12 (mm)

(B) Vis de montage (4)

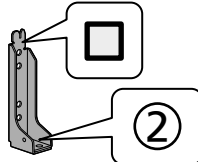


M4 x 12 (mm)

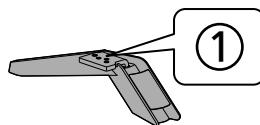
(C) Supports ①



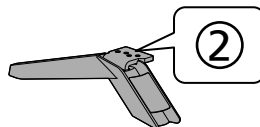
(D) Supports ②



(E) Base ①



(F) Base ②



Préparation

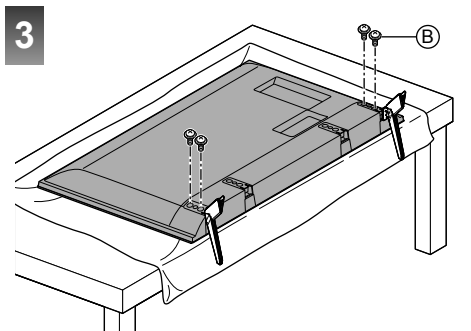
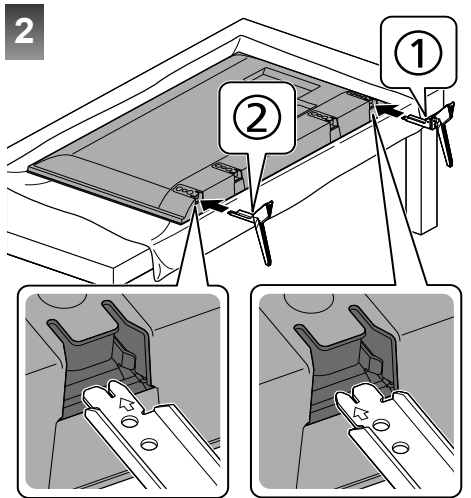
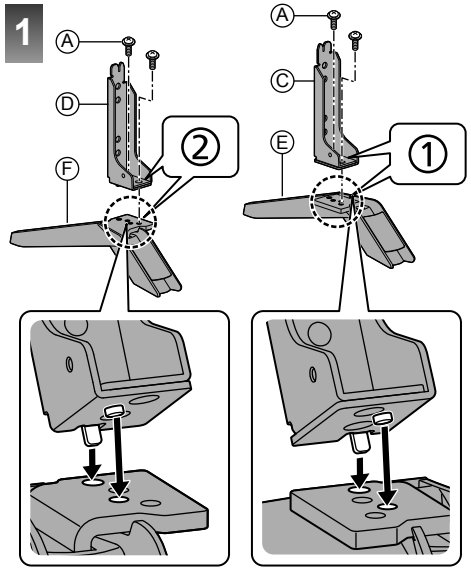
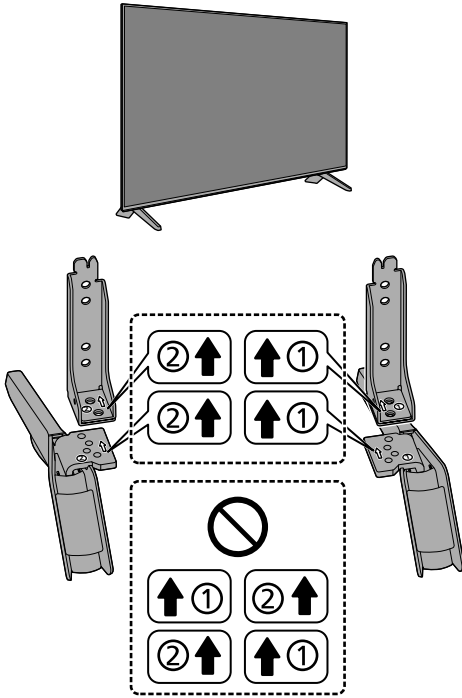
Retirez le piédestal et le téléviseur de la boîte d'emballage et placez le téléviseur sur une table de travail avec l'écran retourné sur un tissu propre et doux (couverture, etc.)

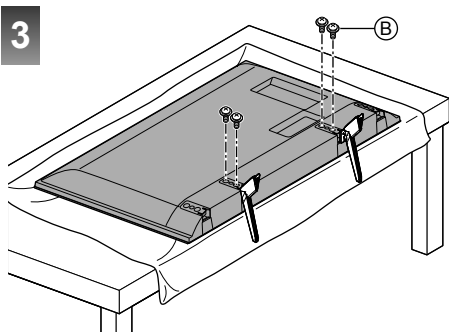
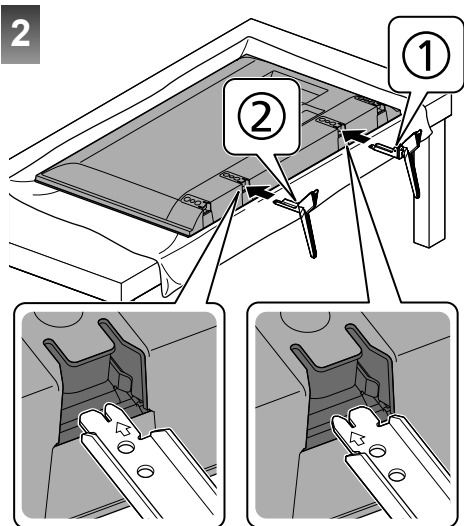
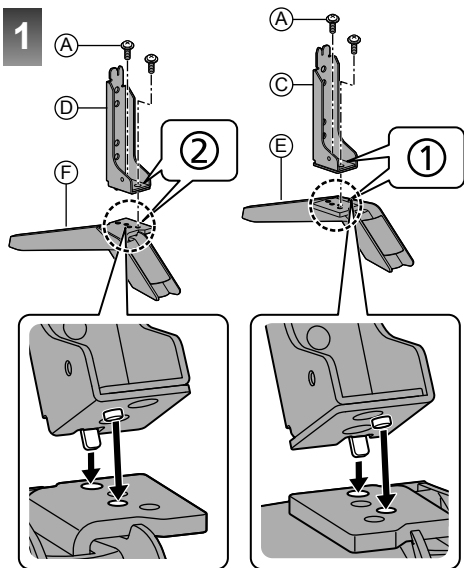
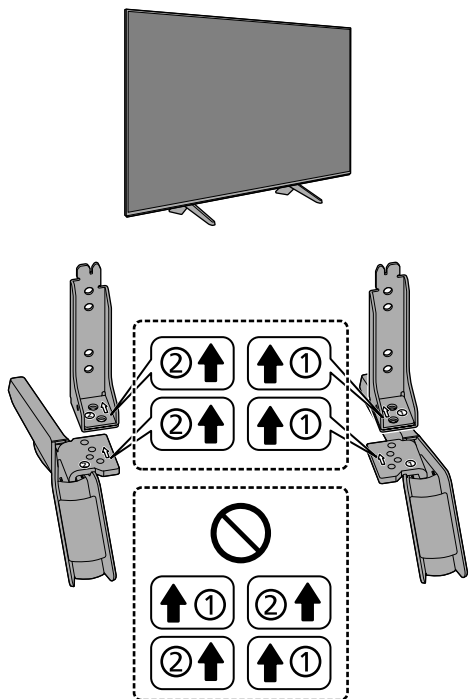
- Utilisez une table plate et robuste plus large que le téléviseur.
- Ne manipulez pas les parties de l'écran plat.
- Veillez à ne pas égratigner ou briser le téléviseur.

Montage du piédestal

- Sélectionnez une méthode pour monter le piédestal parmi les suivantes.
- Ne recourez à aucune autre méthode que celles indiquées ci-dessous pour monter le piédestal.

■ <Style1>





Retrait du piédestal du téléviseur

Assurez-vous de retirer le piédestal de la manière suivante lorsque vous utilisez le support d'installation murale ou réemballez le téléviseur.

- 1 Placez le téléviseur sur une table de travail avec le panneau d'écran face contre la table sur un chiffon propre et doux.
- 2 Retirez le couvercle.
- 3 Enlevez les vis de montage ⑥ du téléviseur.
- 4 Retirez le piédestal du téléviseur.
- 5 Enlevez les vis de montage ④ du support

Avertissement

Ne démontez ni ne modifiez le piédestal.

- Sinon, l'appareil pourrait tomber et être abîmé, ce qui pourrait causer des blessures.

Mises en garde

N'utilisez que le piédestal fourni avec ce téléviseur.

- Sinon, l'appareil pourrait tomber et être abîmé, ce qui pourrait causer des blessures.

N'utilisez pas le piédestal s'il est tordu ou endommagé.

- Si vous utilisez le piédestal alors qu'il est rompu, il risque d'être endommagé encore davantage, et vous risqueriez de vous blesser. Adressez-vous dès que possible à votre détaillant Panasonic.

Lors de l'installation, veillez à bien serrer toutes les vis.

- Si vous ne serrez pas suffisamment les vis lors du montage, le piédestal ne sera pas assez solide pour supporter le téléviseur, et il risquerait de tomber et d'être endommagé, ce qui pourrait causer des blessures.

Lors du retrait du piédestal, n'enlevez pas ce dernier selon une méthode autre que celle indiquée. (p. 9)

- Sinon, le téléviseur ou le piédestal pourrait basculer et être endommagé, ce qui pourrait causer des blessures.

■ Déplacement du téléviseur

Avant de déplacer le téléviseur, débranchez tous les câbles.

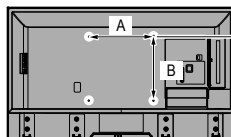
- Demandez l'aide d'au moins deux personnes pour déplacer le téléviseur.

Installation du support de montage mural

■ Lors de l'utilisation du support de montage mural

Veillez contacter un installateur professionnel pour l'achat du support de suspension murale qualifié UL recommandé. Pour de plus amples renseignements, reportez-vous à la notice d'installation du support de montage mural.

Panneau arrière du téléviseur



Ⓐ 400 mm (15,7 po)

Ⓑ 400 mm (15,7 po)

Trous pour l'installation du support de montage mural

(Vue latérale)

Diamètre de la vis : M6

Modèle 55 po

Longueur de la vis

minimum : 8 mm

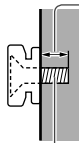
maximum : 16 mm

Modèle 65 po

Longueur de la vis

minimum : 9 mm

maximum : 16 mm



Vis pour fixation du téléviseur au support de montage mural (non fournies avec le téléviseur)

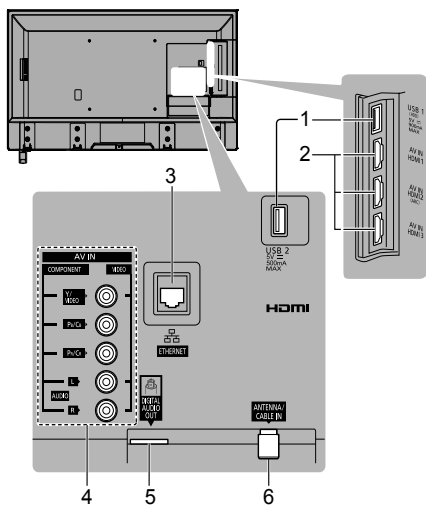
Avertissement

- Confiez l'installation à un technicien qualifié.
- N'installez jamais ce téléviseur directement sous un éclairage au plafond (tel un projecteur, un réflecteur ou une lampe à halogène) générant un haut degré de chaleur. Les pièces en plastique du boîtier pourraient être déformées ou endommagées par la chaleur.
- Installez le support mural avec le plus grand soin. Assurez-vous qu'il n'y a aucun fil électrique ni tuyau dans le mur avant d'installer le support mural.
- Afin de prévenir les chutes et les blessures, retirez le téléviseur de sa position de fixation murale lorsqu'il n'est plus en cours d'utilisation.
- L'utilisation d'un support de montage mural incorrect ou une installation incorrecte peut faire provoquer la chute de l'appareil et entraîner des blessures ou des dommages à l'appareil.
- Panasonic décline toute responsabilité en cas de dommages ou de blessures causés par l'utilisation d'un support de montage mural incorrect, une installation incorrecte ou le non-respect des directives mentionnées ci-dessus.

Connexions

- L'équipement externe et les câbles illustrés ne sont pas fournis avec ce téléviseur.
- Assurez-vous que l'appareil est débranché de la prise murale avant de brancher ou de débrancher tout câble.
- Vérifiez si le type de prise et les fiches de câble sont branchés correctement.
- Utilisez un câble entièrement conforme au câblage HDMI.
- Éloignez le téléviseur des appareils électroniques (équipement vidéo, etc.) ou des appareils à capteur à infrarouge, autrement il peut y avoir une distorsion de l'image ou du son ou le fonctionnement d'autres équipements peut être affecté.
- Lisez également le manuel de l'équipement à brancher.
- Consultez l'aide électronique pour les autres raccordements (raccordement à VIERA Link, etc.).

Lisez également le manuel de l'équipement à brancher

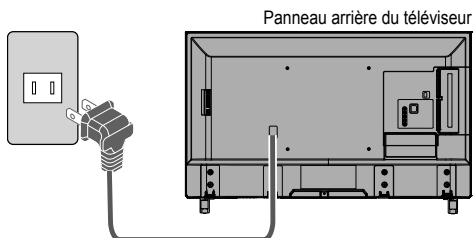


- 1 USB 1/2/3
--- Ce symbole indique un fonctionnement en tension CC.
- 2 HDMI 1/2/3
- 3 Prise Ethernet
- 4 Prises composant/vidéo
- 5 Sortie audio numérique
- 6 Entrée de câble d'antenne

Antenne VHF/UHF

- NTSC (National Television System Committee) : Système de télévision analogique
- ATSC (Advanced Television Systems Committee) : Normes pour la télévision numérique, y compris la télévision haute définition (TVHD), la télévision à définition standard (TVDS), la distribution de données, le rendu ambisonique multicanal et la télévision interactive.

Raccordement du cordon d'alimentation



Cordon d'alimentation

Branchez une fois que toutes les autres connexions ont été faites.

Insérez le cordon d'alimentation à fond.

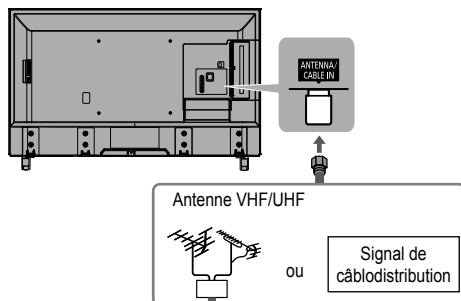
Modèle 55 po

Important :

- Débranchez d'abord le cordon d'alimentation de la prise murale.
- Le cordon d'alimentation fourni a été conçu pour être utilisé uniquement avec cet appareil.

Connexion d'une antenne

Panneau arrière du téléviseur



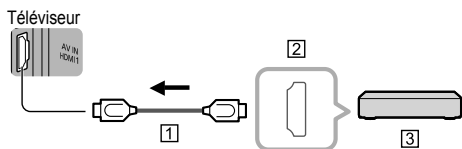
Câblodistribution

- Il est nécessaire d'être abonné à un service de câblodistribution pour capter les émissions diffusées sur le câble.
- La connexion pour la réception en haute définition peut se faire au moyen d'un câble HDMI ou d'un composant vidéo. (p. 13)

Remarque

- Si un câblesélecteur est utilisé, l'équipement externe ainsi que les câbles vidéo illustrés dans le présent manuel ne sont pas fournis avec le téléviseur.
- Pour de plus amples renseignements, visitez : www.panasonic.ca/english/support

Connexions pour un appareil compatible 4K / HDR



- 1 Câble HDMI
- 2 HDMI AV OUT
- 3 Appareils compatibles avec 4K / HDR

- Pour visionner des contenus 4K haute définition plus nettement ou des contenus HDR, connectez un équipement 4K / HDR compatible à la borne HDMI1 ou 2.
- Connectez l'appareil compatible 4K à la prise HDMI à l'aide d'un câble compatible 4K pour regarder du contenu au format 4K.
- Le format 4K valide varie en fonction de la prise HDMI. Plus d'informations sur le format valide, reportez-vous à [Aide électronique] (Recherche par objectif > Visionnement de la télévision > À propos du format 4K).
- La prise en charge du HDR n'augmente pas les capacités de luminosité de crête de l'écran du téléviseur.

■ Configuration auto HDMI (menu Réglage)

Reproduit les images plus précisément avec un gamut de couleur étendu lors de la connexion avec un équipement compatible avec 4K. Sélectionnez le mode en fonction de l'équipement.

Mode 1 :

Pour une meilleure compatibilité. Réglez sur "Mode1" lorsque l'image ou le son de l'entrée HDMI n'est pas émis correctement.

Mode 2 :

Pour l'équipement compatible avec 4K qui dispose de la fonction de reproduction plus précise des images avec un gamut de couleur étendu

- Pour changer le mode
 1. Sélectionnez le mode d'entrée HDMI connecté à l'appareil.
 2. Affichez le menu et sélectionnez "Configuration auto HDMI" (menu Réglage).
- Pour plus d'informations sur le format valide, consultez l'aide électronique.
(Recherche par objectif > Visionnement de la télévision > Appareils compatibles avec 4K).

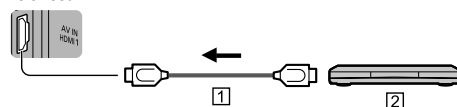
Raccordements de câbles AV

Prises HDMI

(pour une meilleure image HD)

(Décodeur / Enregistreur de DVD / Lecteur Blu-ray Disc / Caméscope / etc.)

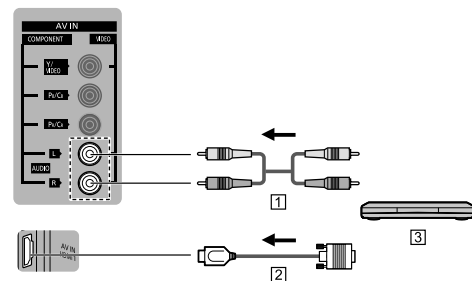
Téléviseur



- 1 Câble HDMI
- 2 Appareil AV (ex., lecteur Blu-ray Disc)

Pour les appareils avec sortie DVI

Téléviseur

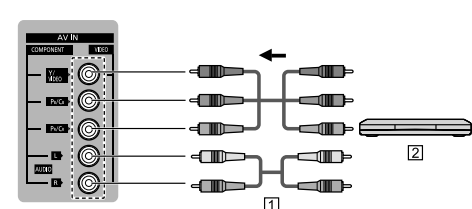


- 1 Câble audio
- 2 Câble de conversion HDMI-DVI
- 3 Appareil AV (ex., lecteur Blu-ray Disc)

Prises COMPONENT

(Enregistreur de DVD / Lecteur Blu-ray Disc/ etc.)

Téléviseur



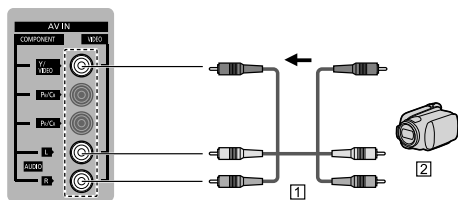
- 1 Câble composite
- 2 Appareil AV (ex., lecteur Blu-ray Disc)

Prises COMPOSITE

(pour une image standard)

(Caméscope / Console de jeux / Enregistreur DVD / etc.)

Téléviseur



1 Câble VIDÉO

2 Appareil AV (ex., Caméscope)

Remarque

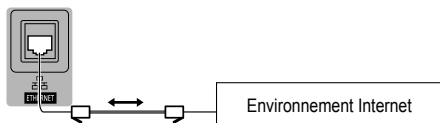
- Dans certains cas, selon le type de câble ou l'appareil, le raccordement pourrait ne pas être possible.
- La prise verte est partagée par les raccordements aux prises COMPONENT et COMPOSITE (VIDEO IN). Lors d'un raccordement à la prise COMPOSITE (VIDEO IN), le connecteur jaune (VIDEO) devrait être inséré dans la prise verte.

Connexions réseau

- Pour activer les fonctions du service de réseau, vous devez connecter le un environnement réseau à large bande. Si vous n'avez pas de services réseau à large bande, veuillez consulter votre détaillant pour obtenir de l'aide.
- Préparez l'environnement de l'Internet pour une connexion filaire ou sans fil.

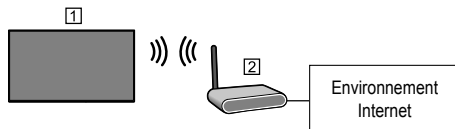
■ Connexion câblée

Téléviseur



1 Câble LAN (blindé)

■ Connexion sans fil



1 Réseau local sans fil intégré (Arrière du téléviseur)

2 Point d'accès

■ Concernant Réseau local sans fil intégré

- Pour utiliser le réseau local sans fil intégré, l'utilisation d'un point d'accès est recommandée.
- Lors de l'utilisation du réseau local sans fil intégré en mode point d'accès, il est possible de connecter jusqu'à 7 appareils. Toutefois la vitesse de transfert va varier en fonction de l'environnement de communication ou des appareils connectés.
- N'utilisez pas le réseau local sans fil intégré pour vous relier à un réseau sans fil (SSID*1) pour lequel vous ne détenez pas de droits d'utilisation. De tels réseaux peuvent figurer sur la liste de résultats d'une recherche de réseaux. Toutefois, leur utilisation pourrait être considérée comme étant le fait d'un accès illégal.
- Assurez-vous que le point d'accès prend en charge WPS*2. (S'il ne prend pas en charge WPS, la clé de cryptage du point d'accès est requise lors de la configuration des paramètres.)
- Suivez les instructions de l'écran d'installation du point d'accès et configurez les paramètres de sécurité adéquats.

Pour obtenir de plus amples renseignements sur la manière de configurer un point d'accès, veuillez consulter le mode d'emploi du point d'accès.

- Pour le réseau sans fil reliant le réseau local sans fil intégré et le point d'accès, nous vous recommandons d'utiliser le protocole 11n (5 GHz).

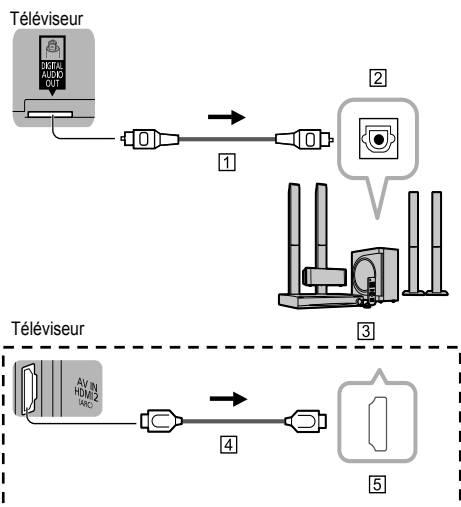
Il est également possible de communiquer avec 11a, 11b, et 11g, mais il est possible que la vitesse de communication ralentisse.

- Si vous changez le réseau sans fil du point d'accès, il est possible que les périphériques qui pouvaient se connecter au réseau local sans fil ne soient plus en mesure de le faire.
- Les données transmises et captées sur ondes radio peuvent être interceptées et compromises.
- Dans la mesure du possible, maintenez ces périphériques à bonne distance du téléviseur :
réseau local sans fil, four à micro-ondes et autres dispositifs utilisant les signaux à 2,4 GHz et 5 GHz. Dans le cas contraire, le téléviseur pourrait connaître des défaillances, comme un dysfonctionnement dû à l'interférence des ondes radioélectriques.
- Si du bruit survient en raison d'électricité statique, etc., le téléviseur pourrait cesser de fonctionner en vue de protéger les dispositifs. Le cas échéant, mettez le téléviseur hors marche au moyen de son interrupteur, puis remettez-le en marche.

*1 SSID est un nom identifiant un réseau sans fil.

*2 WPS: Installation protégée par technologie Wi-Fi

Raccordement audio



1 Câble optique

2 DIGITAL AUDIO IN

3 ex., amplificateur avec système de haut-parleur

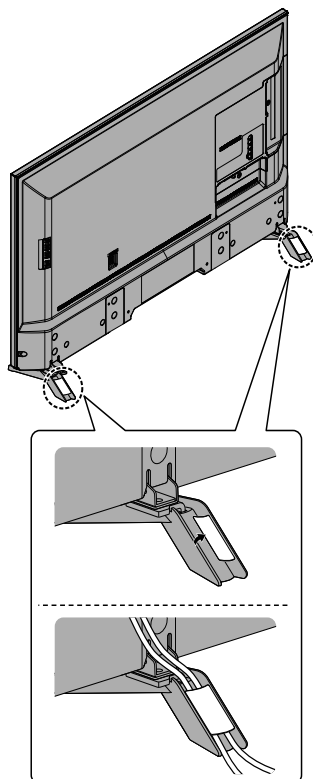
4 Câble HDMI

5 HDMI OUT (ARC)

Le raccordement HDMI est possible lors du raccordement d'un appareil audio doté de la fonction ARC (canal de retour audio).

Disposition des câbles

■ Fixation des câbles



- Connectez les câbles au besoin.
- Pour utiliser l'accessoire optionnel, suivez les instructions d'assemblage fournies avec l'accessoire pour connecter les câbles.

Emplacement des commandes

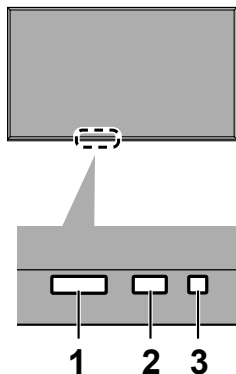
- Une illustration du panneau des commandes s'affiche à l'écran lors de son utilisation.

Remarque

- Tant que le cordon d'alimentation est branché, le téléviseur consomme un peu d'énergie.
- Ne placez aucun objet entre le capteur de signal de la télécommande sur le téléviseur et la télécommande.

Emplacement des commandes/voyants

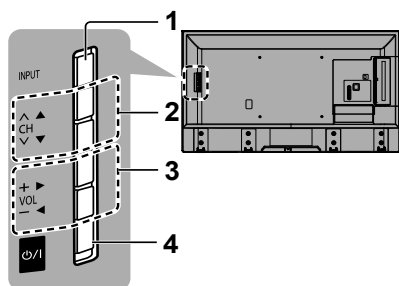
Panneau avant du téléviseur



- 1 Voyant d'alimentation (en marche : rouge; hors marche : éteint)
- 2 C.A.T.S. (Système de repérage automatique du contraste)
- 3 Capteur de la télécommande

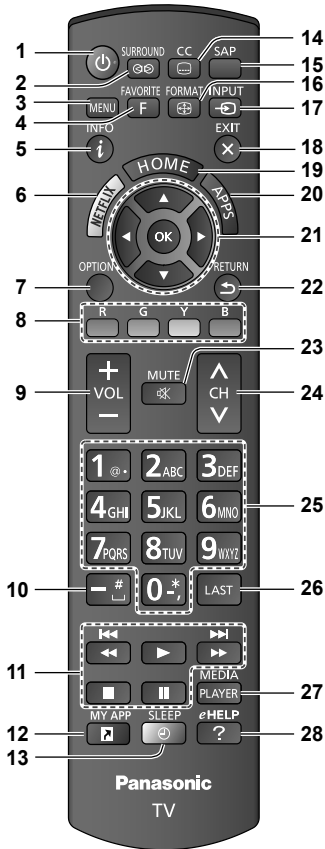
Portée maximale de la commande de 7 m (23 pi) depuis le devant du téléviseur

Panneau arrière du téléviseur



- 1 Change le mode d'entrée
Sélectionne les rubriques du menu et du sous-menu
(Appuyez et maintenez une pression pour accéder au MENU.)
- 2 Sélectionne les canaux en séquence
- 3 Réglage du volume
- 4 **Interrupteur de marche/arrêt**
 - À utiliser pour allumer ou éteindre l'appareil.
 - Pour mettre l'appareil complètement hors tension, vous devez retirer la fiche de la prise de courant.
 - [Power Symbol] / [I/O]: Veille / En marche

Télécommande



- 1 [P/II] Met le téléviseur en marche ou hors marche. (mode attente)
- 2 Commute le paramétrage du rendu ambiophonique
- 3 Affiche le menu
- 4 Pour utiliser la fonction de liste de canaux favoris
- 5 Pour afficher ou retirer la bannière d'informations
- 6 Accède directement au service NETFLIX
 - Ce service nécessite une connexion Internet.
 - Ce service pourrait prendre fin ou les conditions pourraient être modifiées sans préavis.
- 7 Affiche le Menu Options pour accéder aux fonctions spéciales (le cas échéant)
- 8 Touches de couleur (pour diverses fonctions)
- 9 Réglage du volume
- 10 Pour la sélection des canaux numériques
- 11 Opérations sur les appareils externes
- * Les fonctions commutent selon les appareils connectés et les opérations.

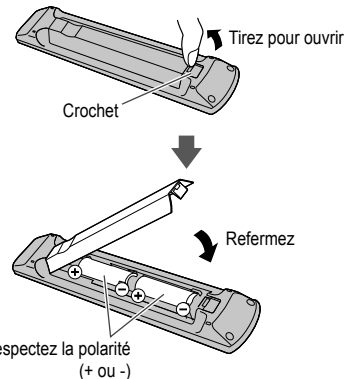


Appuyez pour sauter au chapitre ou piste précédent(e)/suivant(e), etc.

Maintenez la touche enfoncée pour le retour arrière/l'avance rapide.

- 12 MY APP (Permet d'attribuer une application préférée)
 - Reportez-vous à l'aide électronique pour plus de détails. (Recherche par objectif > Utiliser écran d'accueil > Applications > Mon application)
- 13 Réglage de la minuterie-sommeil
- 14 Mise en/hors fonction des sous-titres
- 15 Sélectionne le programme audio secondaire
- 16 Règle le format de l'image et l'agrandissement
- 17 Sélectionne la source d'entrée
- 18 Retourne à l'accueil
- 19 Affiche l'accueil
 - Reportez-vous à l'aide électronique pour plus de détails. (Recherche par objectif > Lisez ceci d'abord > Fonctions)
- 20 Affiche la liste des applications
- 21 Sélectionne/OK/Changement
- 22 Retour au menu précédent
- 23 Active/désactive la fonction sourdine
- 24 Sélection des canaux avec ANT/Câble en tant que source
- 25 Pavé numérique pour sélectionner un canal ou appuyez pour saisir une entrée alphanumérique dans les menus
- 26 Commute sur le canal ou le mode d'entrée affiché précédemment
- 27 Lecteur multimédia (Affiche l'écran de sélection des périphériques)
 - Reportez-vous à l'aide électronique pour plus de détails. (Recherche par objectif > Lecteur multimédia)
- 28 Affiche l'assistance électronique (eHELP) (intégrée au manuel) (p. 19)

Mise en place des piles de la télécommande



Mises en garde

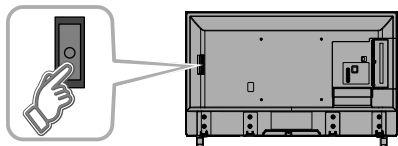
- L'installation incorrecte des piles peut entraîner une fuite de l'électrolyte provoquant la corrosion de la télécommande.
 - N'utilisez pas à la fois une pile neuve et une pile usagée.
 - N'utilisez pas en même temps deux types de piles (par exemple, une pile au carbone zinc et une pile alcaline).
 - N'utilisez pas de piles rechargeables (Ni-Cd).
- Ne démontez pas et ne chauffez pas les piles.

Réglage initial

L'écran de réglage initial s'affiche uniquement lorsque le téléviseur est mis en marche pour la première fois après que le cordon d'alimentation ait été branché dans la prise de courant.

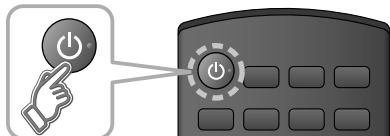
1 Appuyez sur l'interrupteur (la touche POWER) pour mettre le téléviseur en marche

(Télé)



ou

(Télécommande)



2 Configurez les rubriques suivantes

- **Sélectionnez la langue d'affichage**
- **Sélectionnez votre mode de visionnement (Assurez-vous de sélectionner le mode [Usage à domicile])**

Si vous sélectionnez un élément autre que [Usage à domicile], la confirmation à l'écran s'affiche.

Pour afficher de nouveau l'écran [Réglage du mode de visionnement], et sélectionner [Usage à domicile], effectuez une des étapes suivantes:

- Appuyez et maintenez enfoncée l'interrupteur (la touche POWER) sur le panneau arrière pendant au moins 5 secondes.
 - Débranchez le cordon d'alimentation pendant 30 secondes et rebranchez-le.
- **Configuration de la connexion réseau**

Suivez les directives à l'écran pour effectuer la connexion réseau.

- **Réglage ANT/Câble**

Paramétrez selon la réception de la programmation. Sélectionnez "Oui" lors d'une connexion à un câblosélecteur, récepteur de télévision par satellite ou un récepteur à fibre optique. Sélectionnez "Non" lors de la connexion d'un câble coaxial à la prise vissable Antenna/Cable In. Dans ce cas, il sera nécessaire d'effectuer un balayage pour connaître les canaux qui sont disponibles dans votre région.

- **Règle l'horloge**

Sélectionnez le mode horloge et effectuez d'autres réglages. Lorsque "Auto" est sélectionné, l'horloge est réglée automatiquement selon le fuseau horaire et l'heure avancée. Le téléviseur doit être connecté à Internet pour utiliser cette fonction.

- **Terminez le réglage initial**

L'écran de fin d'exécution est affiché.

Affiche la barre d'informations en bas de l'écran pendant plusieurs secondes.

Pour regarder la télévision à partir d'un câblosélecteur, récepteur de télévision par satellite ou toute autre source (DVD, DVR, console de jeux, etc.), appuyez sur la touche INPUT et sélectionnez la source appropriée.

Utilisation de l'aide électronique (eHELP) (manuel intégré)

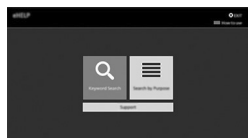
L'aide électronique (eHELP) est un manuel intégré qui vous guide dans l'apprentissage des diverses fonctions du téléviseur. Appuyez sur la touche eHELP pour y accéder.

1 Affiche eHELP



Lorsque vous accédez à nouveau à l'aide électronique après avoir quitté, l'écran de confirmation affiché apparaît lors de la syntonisation sur le téléviseur. Vous pouvez sélectionner "Première page" ou "Dernière page consultée".

2 Sélectionnez un menu



- Pour accéder à Utilisation



Recherche par mot-clé :

Recherchez le contenu dans l'aide électronique (eHELP) pour le mot-clé.

Recherche par objectif :

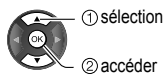
Recherchez le contenu l'aide électronique (eHELP) pour chaque rubrique.

Soutien / FAQ :

Permet d'accéder aux informations d'assistance (FAQs, etc.).

3 Sélectionnez une rubrique

Exemple :



- Pour retourner au menu / niveau précédent

RETURN



- Pour quitter l'aide électronique (eHELP)


EXIT



- Pour faire défiler la description (si plus d'1 page)

Lorsque la description est en surbrillance



- Pour ouvrir l'écran de référence ( →)



- Pour afficher le menu relatif à la description (uniquement pour certaines descriptions)

R



- Pour consulter les fonctions de ce téléviseur
Recherche par objectif > Lisez ceci d'abord > Fonctions

Foire aux questions

(FAQ)

Comment puis-je confirmer que mon téléviseur fonctionne correctement?

- Ce téléviseur est équipé d'une fonction d'auto-essai. Appuyez sur la touche MENU de la télécommande et naviguez vers le bas pour sélectionner Aide et accéder à la fonction Auto-essai du téléviseur. Effectuez l'essai et suivez les instructions à l'écran.

Pourquoi la télécommande ne fonctionne-t-elle pas ?

- Vérifiez que les piles sont fraîches et qu'elles sont du même type et sont installées avec la bonne polarité (+ & -).
- Pour piloter les fonctions d'autres appareils, tel le changement de canal sur un câblosélecteur ou un récepteur de télévision par satellite ou encore un lecteur Blu-ray d'une marque autre que Panasonic, utilisez la télécommande fournie avec l'appareil en question.

Pourquoi n'y a-t-il pas d'image ou seulement un écran bleu, noir ou brouillé?

- Assurez-vous que le cordon d'alimentation est branché et que le téléviseur est en marche (le voyant à DEL rouge sur le panneau avant devrait être allumé; il ne devrait pas clignoter).
- Appuyez sur la touche INPUT de la télécommande pour sélectionner la source appropriée.
- Vérifiez que toutes les connexions sont adéquates et sûres.
- Si une source vidéo externe est utilisée, tel un câblosélecteur/récepteur de télévision par satellite ou un lecteur DVD, assurez-vous que l'appareil est en marche et fonctionne correctement.
- Appuyez sur MENU sur la télécommande. Si le menu est affiché, le téléviseur fonctionne correctement; vérifiez à nouveau les étapes précédentes.

L'image ou le son de l'appareil externe est anormal(e) lorsque l'équipement est connecté par câble HDMI

- Réglez la configuration auto HDMI (Menu Réglage) sur Mode1. (p.13)

Le panneau d'affichage se déplace légèrement et, lorsque poussé à l'aide d'un doigt, un son de cliquetis se fait entendre.

- Il y a un petit espace autour du panneau pour prévenir tout dommage à celui-ci. C'est conçu ainsi, ce n'est pas un défaut.

Pourquoi n'y a-t-il pas d'image à l'écran et le voyant d'alimentation clignote-t-il?

- Le téléviseur s'est automatiquement mis hors marche par mesure de protection. Débranchez le téléviseur pendant quelques minutes, puis rebranchez-le. Il pourrait y avoir eu une surtension temporaire sur le secteur; le problème pourrait avoir été résolu. Si le clignotement revient, visitez www.panasonic.ca/french/support.

À propos de la demande de renseignements

- Veuillez contacter votre détaillant local Panasonic pour recevoir de l'aide.

Si vous demandez des renseignements depuis un lieu où ce téléviseur n'est pas présent, nous ne pouvons pas répondre au sujet des contenus qui nécessitent une confirmation visuelle pour la connexion, le phénomène, etc. de ce téléviseur.

Entretien et nettoyage

Débranchez d'abord le cordon d'alimentation de la prise de courant.

Panneau d'affichage

L'avant du panneau d'affichage a reçu un traitement spécial. Essayez soigneusement la surface du panneau en utilisant seulement un chiffon doux sans peluche.

- Si la surface est particulièrement sale après avoir retiré la poussière, trempez un chiffon doux non pelucheux dans un détergent liquide doux (1 part de détergent liquide pour 100 parts d'eau), puis essorez le chiffon pour retirer l'excès de liquide. Utilisez ce chiffon pour essuyer la surface du panneau d'affichage, puis essuyez-la avec un chiffon sec du même type jusqu'à ce qu'elle soit complètement sèche.
- Ne rayez pas ou ne cognez pas la surface du panneau avec les ongles ou un objet rigide, sinon vous abîmerez la surface. En outre, évitez tout contact avec des produits volatils tels que des insecticides à vaporiser, des solvants ou des diluants, sinon le fini de la surface sera abîmé.

Coffret

Si le coffret est sale, essayez-le avec un chiffon doux et sec.

- Si le coffret est très sale, trempez le chiffon dans de l'eau diluée avec un peu de détergent liquide doux, puis essorez le chiffon bien à fond. Utilisez ce chiffon pour essuyer le coffret, puis essuyez-le avec un chiffon sec.
- Veillez à ce que le détergent liquide n'entre pas en contact direct avec la surface du téléviseur. Si des gouttes d'eau pénètrent dans l'appareil, des anomalies de fonctionnement se produiront.
- Évitez tout contact avec des produits volatils tels que des insecticides à vaporiser, des solvants ou des diluants, sinon la surface du coffret pourra être abîmée ou le revêtement s'écaillera.
- Ne laissez pas le téléviseur trop longtemps en contact avec des articles en caoutchouc ou en PVC.

Piédestal

Nettoyage

- Essayez les surfaces avec un chiffon doux et sec. Si le piédestal est très sale, nettoyez-le à l'aide d'un chiffon imprégné d'une solution légère de détergent liquide doux, puis essuyez avec un chiffon sec. N'utilisez pas de produits tels que des solvants, des diluants ou de la cire ménagère pour le nettoyage, car ces produits risquent d'abîmer le revêtement du piédestal.

Remarque : Si vous utilisez un chiffon traité chimiquement, suivez la notice d'utilisation du chiffon.

- Ne fixez pas de ruban adhésif ou d'étiquettes, car ils risquent de salir la surface du piédestal. Ne le laissez pas en contact prolongé avec des produits en caoutchouc ou en vinyle ou similaire. (Ceci pourrait le détériorer.)

Fiche du cordon d'alimentation

Nettoyez régulièrement la fiche du cordon d'alimentation.

Remarque : L'accumulation de poussière et d'humidité peut entraîner un risque d'incendie ou de choc électrique.

Spécifications

Panneau d'affichage

Système de l'écran

Panneau ACL avec rétroéclairage à DEL

Fréquence de rafraîchissement

60 Hz

Taille de l'écran

Modèle 55 po

55 po (54,6 po en diagonale)

Modèle 65 po

65 po (64,5 po en diagonal)

L x H x diagonale

Modèle 55 po

(1 210 mm x 680 mm x 1 388 mm)

47,6 po x 26,8 po x 54,6 po

Modèle 65 po

(1 429 mm x 804 mm x 1 639 mm)

56,3 po x 31,7 po x 64,5 po

Nombre de pixels

3 840 x 2 160

Sortie des haut-parleurs

20 W [10 W + 10 W]

Nombre de canaux (numérique/analogique)

VHF/ UHF : 2 - 69, CATV : 1 - 135

Conditions de fonctionnement

Température : 32 °F à 95 °F (0 °C à 35 °C)

Humidité : 20 % - 80 % (sans condensation)

Prises de connexion

VIDEO IN

RCA PIN (VIDEO, AUDIO-L, AUDIO-R)

COMPONENT IN

RCA PIN (Y, PB/CB, PR/CR, AUDIO-L, AUDIO-R)

HDMI IN 1/2/3

Connecteur de type A
(prenant en charge la fonction "HDMI Control 5")

USB 1/2

Connecteur de type A

USB 1: 5 V CC, Max. 900 mA

[SuperSpeed USB (USB 3.0)]

USB 2: 5 V CC, Max. 500 mA

[USB à vitesse élevée (USB 2.0)]

Sortie audio numérique

PCM / Dolby Digital / Fibres optiques

AUTRES

ETHERNET (10BASE-T/100BASE-TX)

Dimensions

Modèle 55 po

Avec piédestal (L x H x P)

1 240 mm x 779 mm x 242 mm

48,8 po x 30,7 po x 9,5 po

Téléviseur seulement (L x H x P)

1 240 mm x 722 mm x 78 mm

48,8 po x 28,4 po x 3,1 po

Modèle 65 po

Avec piédestal (L x H x P)

1 460 mm x 910 mm x 345 mm

57,5 po x 35,8 po x 13,6 po

Téléviseur seulement (L x H x P)

1 460 mm x 844 mm x 78 mm

57,5 po x 33,2 po x 3,1 po

Poids

Modèle 55 po

Avec piédestal

17,5 kg (36,6 lb.) NET

Téléviseur seulement

17,0 kg (37,5 lb.) NET

Modèle 65 po

Avec piédestal

26,5 kg (58,5 lb.) NET

Téléviseur seulement

26,0 kg (57,3 lb.) NET

Réseau local sans fil

Conformité aux normes et plage de fréquence *

IEEE 802.11a/n : 5,15 GHz - 5,35 GHz, 5,47 GHz - 5,85 GHz

IEEE 802.11b/g/n : 2,400 GHz - 2,4835 GHz

Sécurité

WPA2-PSK (TKIP/AES)

WPA-PSK (TKIP/AES)

WEP (64 bits/128 bits)

* La fréquence et le canal diffère selon le pays.

* 802.11b/g/n CH1 ~ CH11 utilisé seulement aux États-Unis et au Canada.

Remarque

- La conception et les spécifications sont sous réserve de modifications. Le poids et les dimensions sont approximatifs.
- Pour de l'information sur la source d'alimentation et la consommation d'énergie, reportez-vous à la plaque signalétique sur le boîtier arrière.

Garantie limitée (pour le Canada)

Panasonic Canada Inc.
5770, Ambler Drive, Mississauga (Ontario) L4W 2T3

PRODUIT PANASONIC – GARANTIE LIMITÉE

Panasonic Canada Inc. garantit que ce produit est exempt de défauts de matériaux et de main-d'œuvre dans un contexte d'utilisation normale pendant la période indiquée ci-après à compter de la date d'achat original et, dans l'éventualité d'une défectuosité, accepte, à sa discrétion, de (a) réparer le produit avec des pièces neuves ou remises à neuf, (b) remplacer le produit par un produit neuf ou remis à neuf d'une valeur équivalente ou (c) rembourser le prix d'achat. La décision de réparer, remplacer ou rembourser appartient à Panasonic Canada Inc.

Téléviseurs (50 po et plus)	Service à domicile	Un (1) an, pièces (y compris l'écran) et main-d'œuvre
Téléviseurs (moins de 50 po)	Service en atelier	Un (1) an, pièces (y compris l'écran) et main-d'œuvre

Le service à domicile n'est offert que dans les régions accessibles par routes et situées dans un rayon de 50 km d'un centre de service Panasonic agréé.

Le service à domicile exige un accès complet et facile au produit par le technicien du centre de service agréé et n'inclut pas le retrait ni la réinstallation d'un appareil déjà installé. Si l'appareil doit être retiré pour fins de réparation, cette décision est à l'entière discrétion du technicien du centre de service. Sous aucune considération, ni Panasonic Canada Inc. ni le centre de service agréé ne peuvent être tenus responsables de tout dommage spécial, indirect ou consécutif.

La présente garantie n'est fournie qu'à l'acheteur original d'un des produits de marque Panasonic indiqués plus haut, ou à la personne l'ayant reçu en cadeau, vendu par un détaillant Panasonic agréé au Canada et utilisé au Canada. Le produit ne doit pas avoir été "vendu tel quel" et doit avoir été livré à l'état neuf dans son emballage d'origine.

POUR ÊTRE ADMISSIBLE AUX SERVICES AU TITRE DE LA PRÉSENTE GARANTIE, LA PRÉSENTATION D'UN REÇU D'ACHAT OU DE TOUTE AUTRE PIÈCE JUSTIFICATIVE DE LA DATE D'ACHAT ORIGINAL, INDIQUANT LE MONTANT PAYÉ ET LE LIEU DE L'ACHAT, EST REQUISE.

RESTRICTIONS ET EXCLUSIONS

La présente garantie COUVRE SEULEMENT les défaillances attribuables à un défaut des matériaux ou à un vice de fabrication et NE COUVRE PAS l'usure normale ni les dommages esthétiques. La présente garantie NE COUVRE PAS NON PLUS les dommages subis pendant le transport, les défaillances causées par des produits non fournis par Panasonic Canada Inc. ni celles résultant d'un accident, d'un usage abusif ou impropre, de négligence, d'une manutention inadéquate, d'une mauvaise application, d'une altération, d'une installation ou de réglages impropres, d'un mauvais réglage des contrôles de l'utilisateur, d'un mauvais entretien, d'une surtension temporaire, de la foudre, d'une modification, de la pénétration de sable, de liquides ou d'humidité, d'une utilisation commerciale (dans un hôtel, un bureau, un restaurant ou tout autre usage par affaires ou en location), d'une réparation effectuée par une entité autre qu'un centre de service Panasonic agréé ou encore d'une catastrophe naturelle. Les piles sèches sont également exclues de la présente garantie.

CETTE GARANTIE LIMITÉE ET EXPRESSE REMPLACE TOUTE AUTRE GARANTIE, EXPRESSE OU IMPLICITE, INCLUANT LES GARANTIES IMPLICITES DU CARACTÈRE ADÉQUAT POUR LA COMMERCIALISATION ET UN USAGE PARTICULIER. PANASONIC CANADA INC. N'AURA D'OBLIGATION EN AUCUNE CIRCONSTANCE POUR TOUT DOMMAGE DIRECT, INDIRECT OU CONSÉCUTIF RÉSULTANT DE L'UTILISATION DE CE PRODUIT OU DÉCOULANT DE TOUTE DÉROGATION À UNE GARANTIE EXPRESSE OU IMPLICITE.

(À titre d'exemple, cette garantie exclut les dommages relatifs à une perte de temps, le transport jusqu'à et depuis un centre de service agréé, la perte ou la détérioration de supports ou d'images, de données ou de tout autre contenu en mémoire ou enregistré. Cette liste n'est pas exhaustive et n'est fournie qu'à des fins explicatives.)

Certaines juridictions ne reconnaissent pas les exclusions ou limitations de dommages indirects ou consécutifs, ou les exclusions de garanties implicites. Dans de tels cas, les limitations stipulées ci-dessus peuvent ne pas être applicables. La présente garantie vous confère des droits précis; vous pourriez aussi avoir d'autres droits pouvant varier selon votre province ou territoire de résidence.

SERVICE SOUS GARANTIE

Pour tout renseignement sur les produits, réparation ou assistance technique, veuillez visiter notre page Soutien :

www.panasonic.ca/french/support

EXPÉDITION D'UN PRODUIT À UN CENTRE DE SERVICE

Emballer soigneusement, de préférence dans son carton d'origine, et expédier, franco de port, suffisamment assuré. Accompagnez le tout d'une description de la défectuosité présumée et d'une pièce justificative de la date d'achat original.

Customer's Record

The model number and serial number of this product can be found on its back cover. You should note this serial number in the space provided below and retain this book, plus your purchase receipt, as a permanent record of your purchase to aid in identification in the event of theft or loss, and for Warranty Service purposes.

Model Number _____

Serial Number _____

Consignation du numéro de série

Les numéros de modèle et de série de ce produit se trouvent sur sa face arrière. Notez ce numéro de série dans l'espace réservé à cet effet ci-dessous et conservez ce manuel et votre facture comme preuve de votre achat, pour aider à identifier l'appareil en cas de perte ou de vol et pour recours à la garantie.

Modèle _____

Numéro de série _____

Panasonic Canada Inc.
5770 Ambler Drive
Mississauga, Ontario
L4W 2T3 CANADA